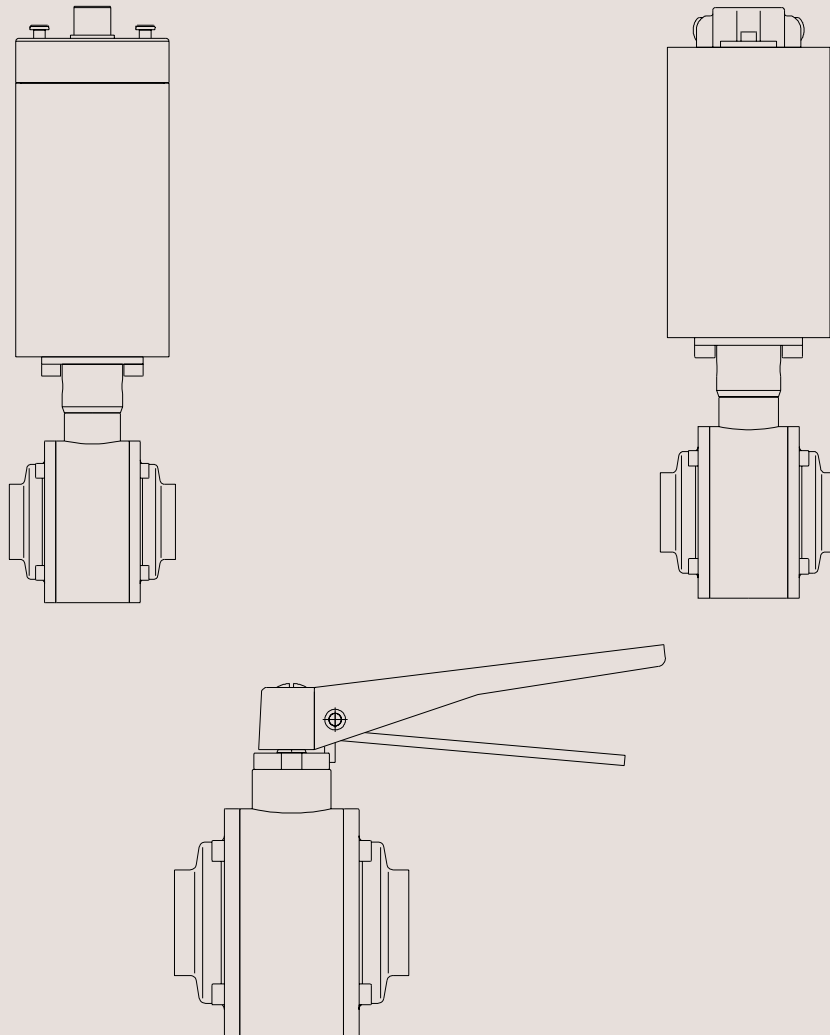




Spare Parts

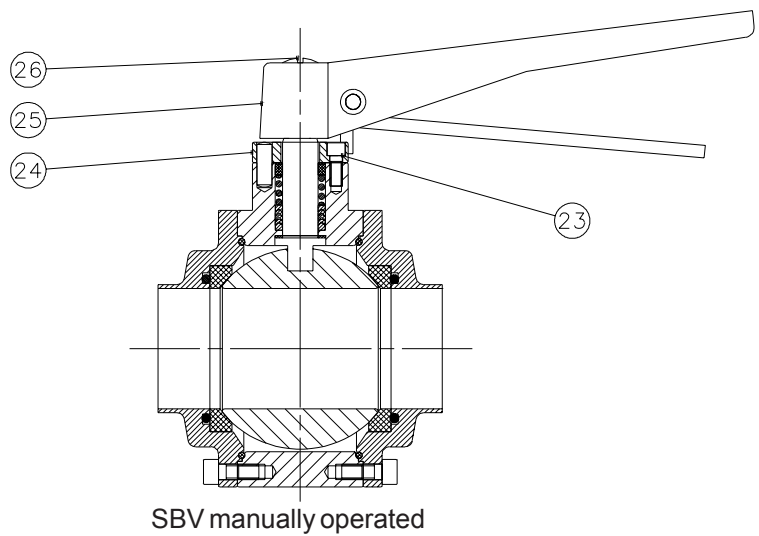
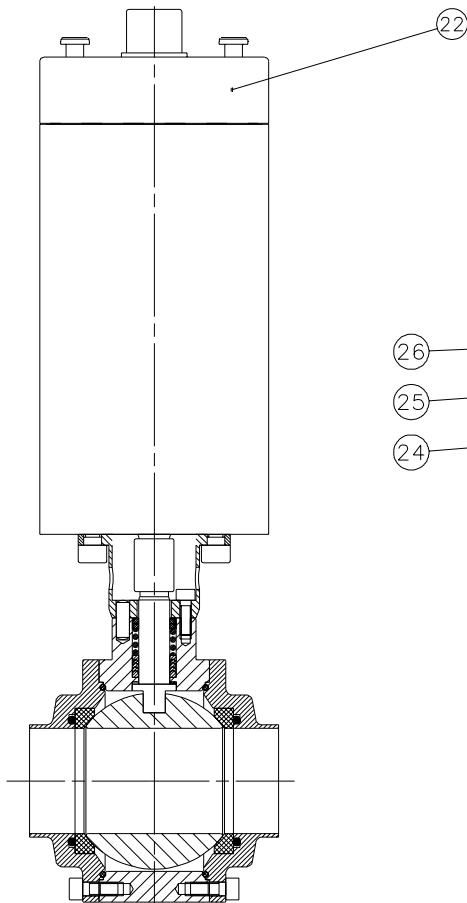
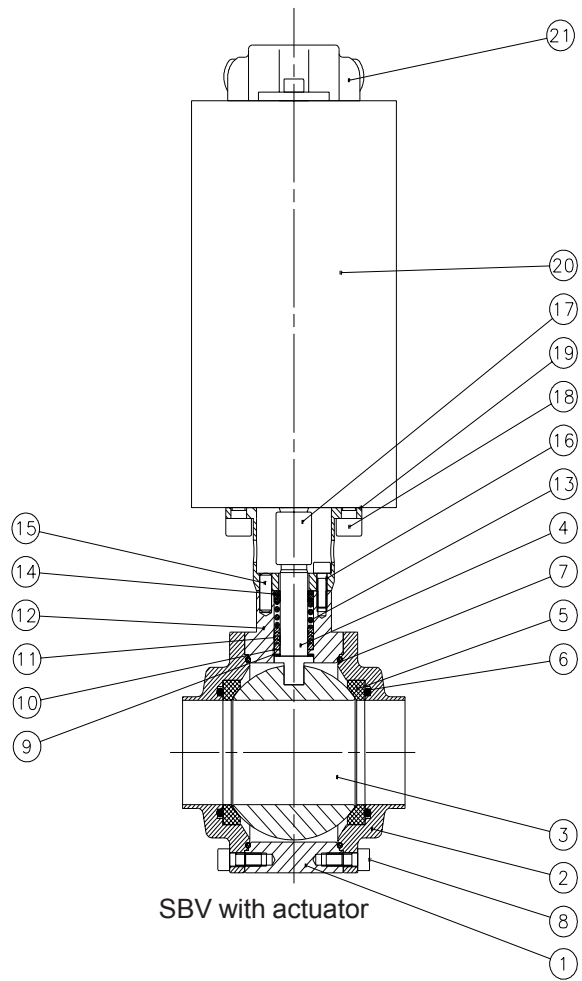
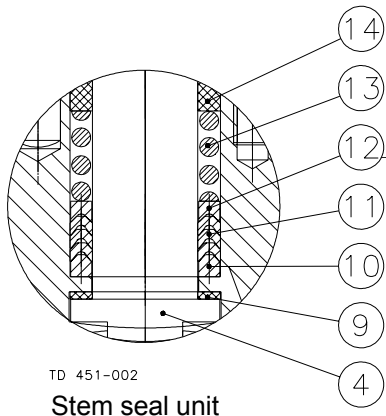
SBV Sanitary Ball Valve



SP70706-GB1 2002-11

SBV Sanitary Ball Valve

2



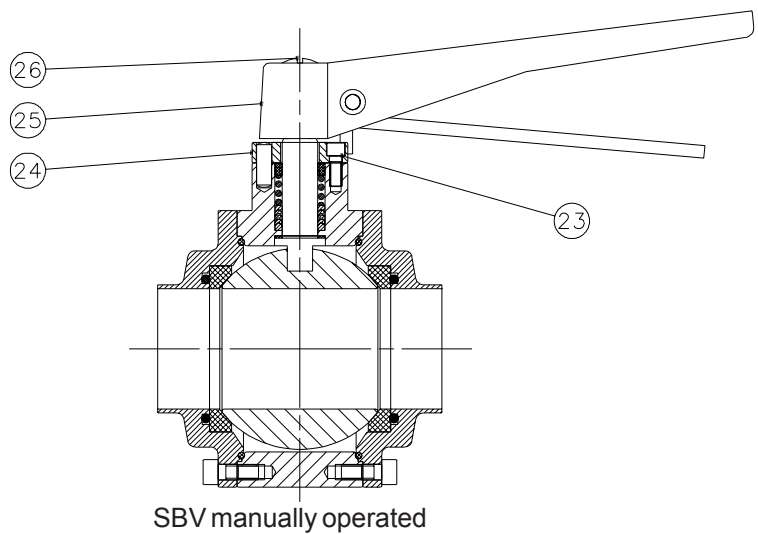
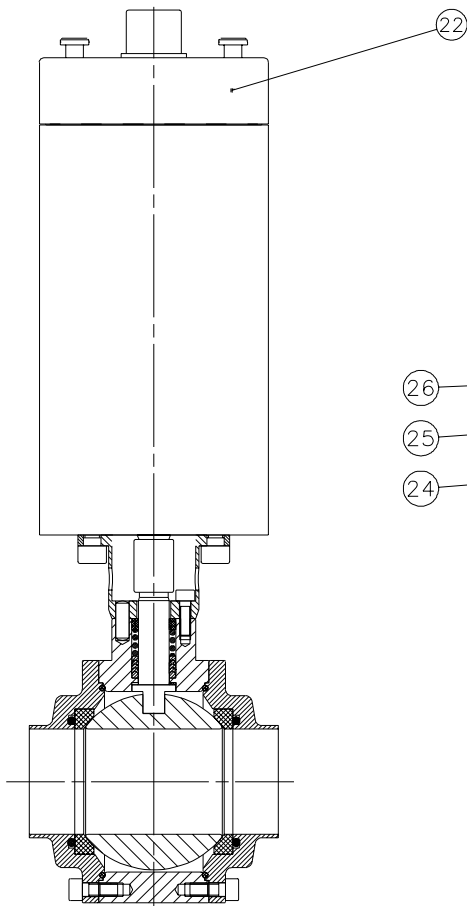
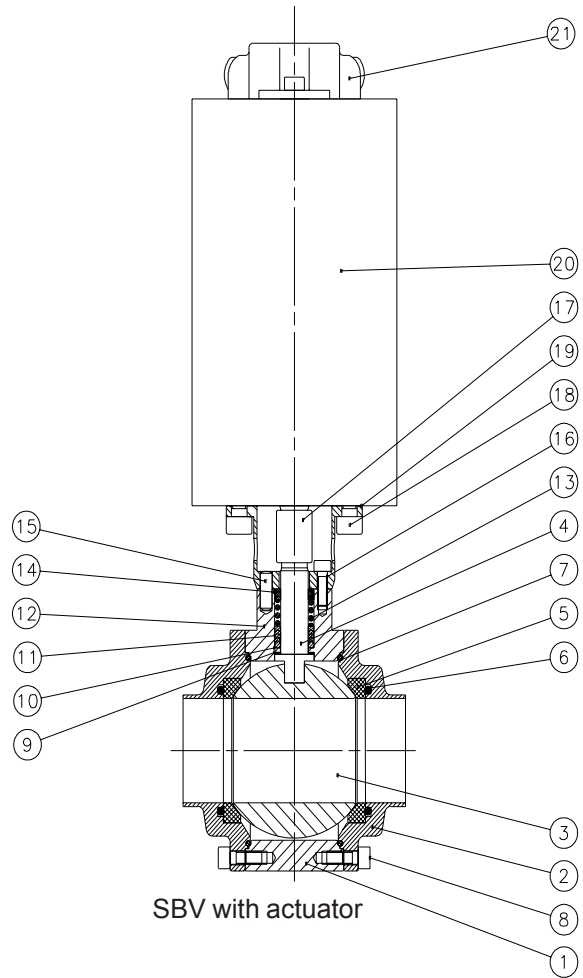
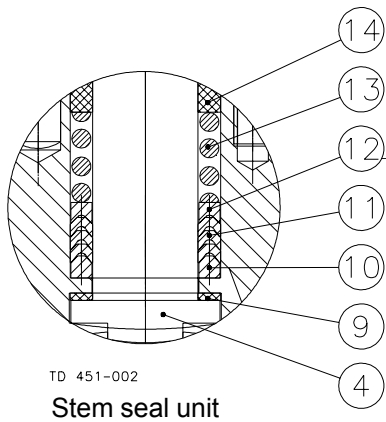
SBV Sanitary Ball Valve for Inch Tube

Pos.	Qty.	Denomination	DN/OD25	DN/OD38	DN/OD51	DN/OD63.5	DN/OD76.1	DN/OD101.6
1	1	Valve body	9612-6475-01	9612-6475-35	9612-6475-47	9612-6475-59	9612-6475-71	9612-6475-84
2	2	Flange	9612-6475-02	9612-6475-36	9612-6475-48	9612-6475-60	9612-6475-72	9612-6475-85
3	1	Ball	9612-6475-03	9612-6475-37	9612-6475-49	9612-6475-61	9612-6475-73	9612-6475-86
4	1	Stem	9612-6475-04	9612-6475-04	9612-6475-50	9612-6475-50	9612-6475-50	9612-6475-87
5	2	◆ Valve seat	9612-6475-05	9612-6475-38	9612-6475-50	9612-6475-62	9612-6475-75	9612-6475-88
6	2	◆ O-ring EPDM (std) ...	9612-6475-06	9612-6475-39	9612-6475-51	9612-6475-63	9612-6475-75	9612-6475-89
		O-ring NBR	9612-6475-07	9612-6475-40	9612-6475-52	9612-6475-64	9612-6475-76	9612-6475-90
		O-ring Q	9612-6475-08	9612-6475-41	9612-6475-53	9612-6475-65	9612-6475-77	9612-6475-91
		O-ring FPM	9612-6475-09	9612-6475-42	9612-64-5-54	9612-6475-66	9612-6475-78	9612-6475-92
7	2	◆ O-ring EPDM (std) ...	9612-6475-10	9612-6475-43	9612-6475-55	9612-6475-67	9612-6475-79	9612-6475-93
		O-ring NBR	9612-6475-11	9612-6475-44	9612-6475-56	9612-6475-68	9612-6475-80	9612-6475-94
		O-ring Q	9612-6475-12	9612-6475-45	9612-6475-57	9612-6475-69	9612-6475-81	9612-6475-95
		O-ring FPM	9612-6475-13	9612-6475-46	9612-6475-58	9612-6475-70	9612-6475-82	9612-6475-96
8	8	Flange screw	9612-6475-14	9612-6475-14	9612-6475-14			
	12	Flange screw				9612-6475-14	9612-6475-83	
	16	Flange screw						9612-6475-83
9	1	□ Sliding ring	9612-6475-15	9612-6475-15	9612-6475-15	9612-6475-15	9612-6475-15	9612-6475-97
10	1	□ Support ring	9612-6475-16	9612-6475-16	9612-6475-16	9612-6475-16	9612-6475-16	9612-6475-98
11	3	□ V-rings	9612-6475-17	9612-6475-17	9612-6475-17	9612-6475-17	9612-6475-17	9612-6475-99
12	1	□ Pressure ring	9612-6475-18	9612-6475-18	9612-6475-18	9612-6475-18	9612-6475-18	9612-6476-01
13	1	Spring	9612-6475-19	9612-6475-19	9612-6475-19	9612-6475-19	9612-6475-19	9612-6476-02
14	1	□ Slide bearing	9612-6475-20	9612-6475-20	9612-6475-20	9612-6475-20	9612-6475-20	9612-6476-03
15	2	Pin	9612-6475-21	9612-6475-21	9612-6475-21	9612-6475-21	9612-6475-21	9612-6476-04
16	2	Screw (act.)	9612-6475-22	9612-6475-22	9612-6475-22	9612-6475-22	9612-6475-22	9612-6476-05
17	1	Coupling	9612-6475-23	9612-6475-23	9612-6475-23	9612-6475-23	9612-6475-23	9612-6476-06
18	2	Screw	9612-6475-24	9612-6475-24	9612-6475-24	9612-6475-24	9612-6475-24	9612-6476-07
19	1	Bonnet	9612-6475-25	9612-6475-25	9612-6475-25	9612-6475-25	9612-6475-25	9612-6476-08
20	1	Actuator	9612-6475-26	9612-6475-26	9612-6475-26	9612-6475-26	9612-6475-26	9612-6476-09
21	1	Position indicator cpl.	9612-6475-27	9612-6475-27	9612-6475-27	9612-6475-27	9612-6475-27	9612-6475-27
22	1	ThinkTop adapter cpl.	9612-6475-28	9612-6475-28	9612-6475-28	9612-6475-28	9612-6475-28	9612-6476-10
23	2	Screw (man.)	9612-6475-29	9612-6475-29	9612-6475-29	9612-6475-29	9612-6475-29	9612-6476-11
24	1	Top plate	9612-6475-30	9612-6475-30	9612-6475-30	9612-6475-30	9612-6475-30	9612-6476-12
		Top plate for	9612-6475-31	9612-6475-31	9612-6475-31	9612-6475-31	9612-6475-31	9612-6476-13
		position indication						
25	1	Handle	9612-6475-32	9612-6475-32	9612-6475-32	9612-6475-32	9612-6475-32	9612-6476-14
		Handle for	9612-6475-33	9612-6475-33	9612-6475-33	9612-6475-33	9612-6475-33	9612-6476-15
		position indication						
26	1	Screw	9612-6475-34	9612-6475-34	9612-6475-34	9612-6475-34	9612-6475-34	9612-6476-16
Service kit product wetted seals								
◆		Service kit EPDM (std.) ...	9612-6477-01	9612-6477-09	9612-6477-17	9612-6477-25	9612-6477-33	9612-64-7741
◆		Service kit NBR	9612-6477-02	9612-6477-10	9612-6477-18	9612-6477-26	9612-6477-34	9612-64-7742
◆		Service kit Q	9612-6477-03	9612-6477-11	9612-6477-19	9612-6477-27	9612-6477-35	9612-64-7743
◆		Service kit FPM	9612-6477-04	9612-6477-12	9612-6477-20	9612-6477-28	9612-6477-36	9612-64-7744
Service kit all seals								
□		Service kit EPDM (std.)* ..	9612-6477-05	9612-6477-13	9612-6477-21	9612-6477-29	9612-6477-37	9612-6477-45
□		Service kit NBR *	9612-6477-06	9612-6477-14	9612-6477-22	9612-6477-30	9612-6477-38	9612-6477-46
□		Service kit Q *	9612-6477-07	9612-6477-15	9612-6477-23	9612-6477-31	9612-6477-39	9612-6477-47
□		Service kit FPM *	9612-6477-08	9612-6477-16	9612-6477-24	9612-6477-32	9612-6477-40	9612-6477-48

*: Including mounting tool for stem gasket unit

SBV Sanitary Ball Valve

4



SBV Sanitary Ball Valve for DIN Tube

Pos.	Qty.	Denomination	DN25	DN40	DN50	DN50	DN65	DN80	DN100
1	1	Valve body	9612-6475-01	9612-6475-35	9612-6475-47	9612-6475-47	9612-6475-59	9612-6475-71	9612-6475-84
2	2	Flange	9612-6476-17	9612-6476-24	9612-6476-31	9612-6476-31	9612-6476-38	9612-6476-45	9612-6476-52
3	1	Ball	9612-6476-18	9612-6476-25	9612-6476-32	9612-6476-32	9612-6476-39	9612-6476-46	9612-6476-53
4	1	Stem	9612-6475-04	9612-6475-04	9612-6475-50	9612-6475-50	9612-6475-50	9612-6475-50	9612-6475-87
5	2	◆ Valve seat	9612-6476-19	9612-6476-26	9612-6476-33	9612-6476-33	9612-6476-40	9612-6476-47	9612-6476-54
6	2	◆ O-ring EPDM (std) ...	9612-6476-20	9612-6476-27	9612-6476-34	9612-6476-34	9612-6476-41	9612-6476-48	9612-6475-89
		O-ring NBR	9612-6476-21	9612-6476-28	9612-6476-35	9612-6476-35	9612-6476-42	9612-6476-49	9612-6475-90
		O-ring Q	9612-6476-22	9612-6476-29	9612-6476-36	9612-6476-36	9612-6476-43	9612-6476-50	9612-6475-91
		O-ring FPM	9612-6476-23	9612-6476-30	9612-6476-37	9612-6476-37	9612-6476-44	9612-6476-51	9612-6475-92
7	2	◆ O-ring EPDM (std) ...	9612-6475-10	9612-6475-43	9612-6475-55	9612-6475-55	9612-6475-67	9612-6475-79	9612-6475-93
		O-ring NBR	9612-6475-11	9612-6475-44	9612-6475-56	9612-6475-56	9612-6475-68	9612-6475-80	9612-6475-94
		O-ring Q	9612-6475-12	9612-6475-45	9612-6475-57	9612-6475-57	9612-6475-69	9612-6475-81	9612-6475-95
		O-ring FPM	9612-6475-13	9612-6475-46	9612-6475-58	9612-6475-58	9612-6475-70	9612-6475-82	9612-6475-96
8	8	Flange screw	9612-6475-14	9612-6475-14	9612-6475-14	9612-6475-14			
	12	Flange screw					9612-6475-14	9612-6475-83	
	16	Flange screw							9612-6475-83
9	1	□ Sliding ring	9612-6475-15	9612-6475-15	9612-6475-15	9612-6475-15	9612-6475-15	9612-6475-15	9612-6475-97
10	1	□ Support ring	9612-6475-16	9612-6475-16	9612-6475-16	9612-6475-16	9612-6475-16	9612-6475-16	9612-6475-98
11	3	□ V-rings	9612-6475-17	9612-6475-17	9612-6475-17	9612-6475-17	9612-6475-17	9612-6475-17	9612-6475-99
12	1	□ Pressure ring	9612-6475-18	9612-6475-18	9612-6475-18	9612-6475-18	9612-6475-18	9612-6475-18	9612-6476-01
13	1	Spring	9612-6475-19	9612-6475-19	9612-6475-19	9612-6475-19	9612-6475-19	9612-6475-19	9612-6476-02
14	1	□ Slide bearing	9612-6475-20	9612-6475-20	9612-6475-20	9612-6475-20	9612-6475-20	9612-6475-20	9612-6476-03
15	2	Pin	9612-6475-21	9612-6475-21	9612-6475-21	9612-6475-21	9612-6475-21	9612-6475-21	9612-6476-04
16	2	Screw (act.)	9612-6475-22	9612-6475-22	9612-6475-22	9612-6475-22	9612-6475-22	9612-6475-22	9612-6476-05
17	1	Coupling	9612-6475-23	9612-6475-23	9612-6475-23	9612-6475-23	9612-6475-23	9612-6475-23	9612-6476-06
18	2	Screw	9612-6475-24	9612-6475-24	9612-6475-24	9612-6475-24	9612-6475-24	9612-6475-24	9612-6476-07
19	1	Bonnet	9612-6475-25	9612-6475-25	9612-6475-25	9612-6475-25	9612-6475-25	9612-6475-25	9612-6476-08
20	1	Actuator	9612-6475-26	9612-6475-26	9612-6475-26	9612-6475-26	9612-6475-26	9612-6475-26	9612-6476-09
21	1	Position indicator cpl.	9612-6475-27	9612-6475-27	9612-6475-27	9612-6475-27	9612-6475-27	9612-6475-27	9612-6475-27
22	1	ThinkTop adapter cpl.	9612-6475-28	9612-6475-28	9612-6475-28	9612-6475-28	9612-6475-28	9612-6475-28	9612-6476-10
23	2	Screw (man.)	9612-6475-29	9612-6475-29	9612-6475-29	9612-6475-29	9612-6475-29	9612-6475-29	9612-6476-11
24	1	Top plate	9612-6475-30	9612-6475-30	9612-6475-30	9612-6475-30	9612-6475-30	9612-6475-30	9612-6476-12
		Top plate for	9612-6475-31	9612-6475-31	9612-6475-31	9612-6475-31	9612-6475-31	9612-6475-31	9612-6476-13
		position indication							
25	1	Handle	9612-6475-32	9612-6475-32	9612-6475-32	9612-6475-32	9612-6475-32	9612-6475-32	9612-6476-14
		Handle for	9612-6475-33	9612-6475-33	9612-6475-33	9612-6475-33	9612-6475-33	9612-6475-33	9612-6476-15
		position indication							
26	1	Screw	9612-6475-34	9612-6475-34	9612-6475-34	9612-6475-34	9612-6475-34	9612-6475-34	9612-6476-16
Service kit product wetted seals									
◆		Service kit EPDM (std.)	9612-6477-49	9612-6477-57	9612-6477-65	9612-6477-65	9612-6477-73	9612-6477-81	9612-6477-89
◆		Service kit NBR	9612-6477-50	9612-6477-58	9612-6477-66	9612-6477-66	9612-6477-74	9612-6477-82	9612-6477-90
◆		Service kit Q	9612-6477-51	9612-6477-59	9612-6477-67	9612-6477-67	9612-6477-75	9612-6477-83	9612-6477-91
◆		Service kit FPM	9612-6477-52	9612-6477-60	9612-6477-68	9612-6477-68	9612-6477-76	9612-6477-84	9612-6477-92
Service kit all seals									
□		Service kit EPDM (std.) *	9612-6477-53	9612-6477-61	9612-64-7769	9612-6477-69	9612-6477-77	9612-6477-85	9612-6477-93
□		Service kit NBR *	9612-6477-54	9612-6477-62	9612-64-7770	9612-6477-70	9612-6477-78	9612-6477-86	9612-6477-94
□		Service kit Q *	9612-6477-55	9612-6477-63	9612-64-7771	9612-6477-71	9612-6477-79	9612-6477-87	9612-6477-95
□		Service kit FPM *	9612-6477-56	9612-6477-64	9612-64-7772	9612-6477-72	9612-6477-80	9612-6477-88	9612-6477-96

*: Including mounting tool for stem gasket unit

How to contact Alfa Laval

Contact details for all countries are continually updated on our website. Please visit www.alfalaval.com to access the information direct.