

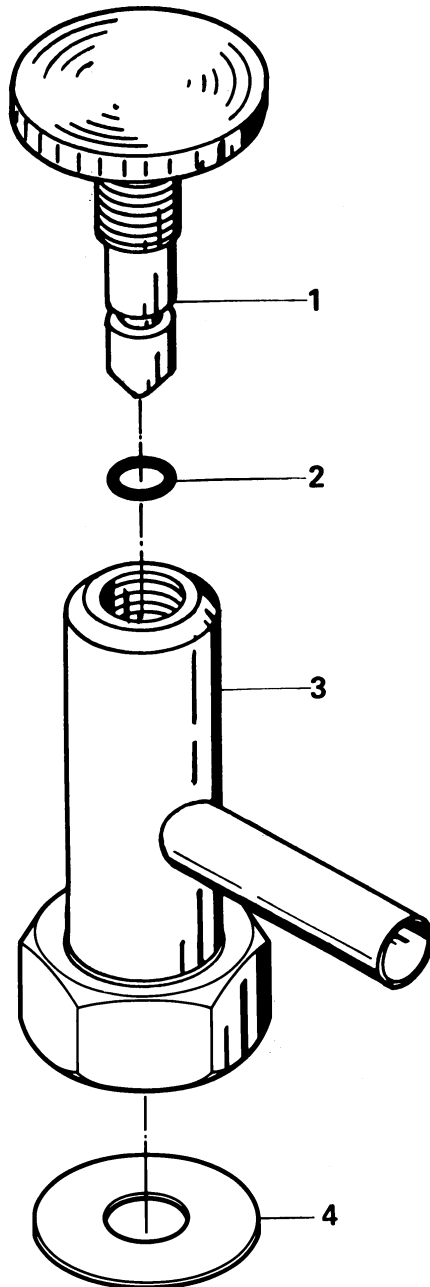


Spare Parts

Sampling Valves Type 20, 32 and 19

Sampling Valve
Type 20

2



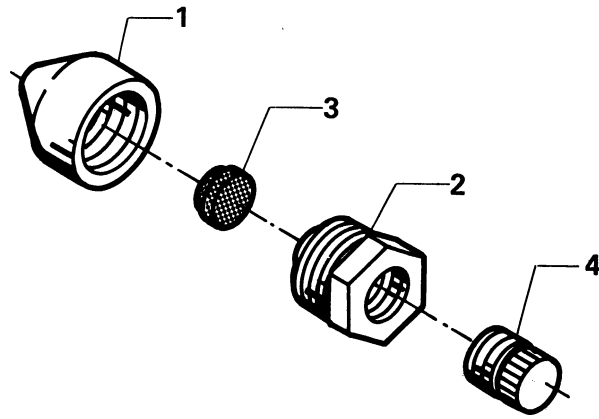
Sampling Valve Type 20

AISI 304

Pos.	Qty.	Denomination	31350-0020-1
1	1	Spindle	9611-25-2176
2	1	O-ring (NBR)	9611-99-0026
3	1	Valve body	9611-25-2179
4	1	Fiberpacking	32249-0018-1

Sampling Valve Type 32

4



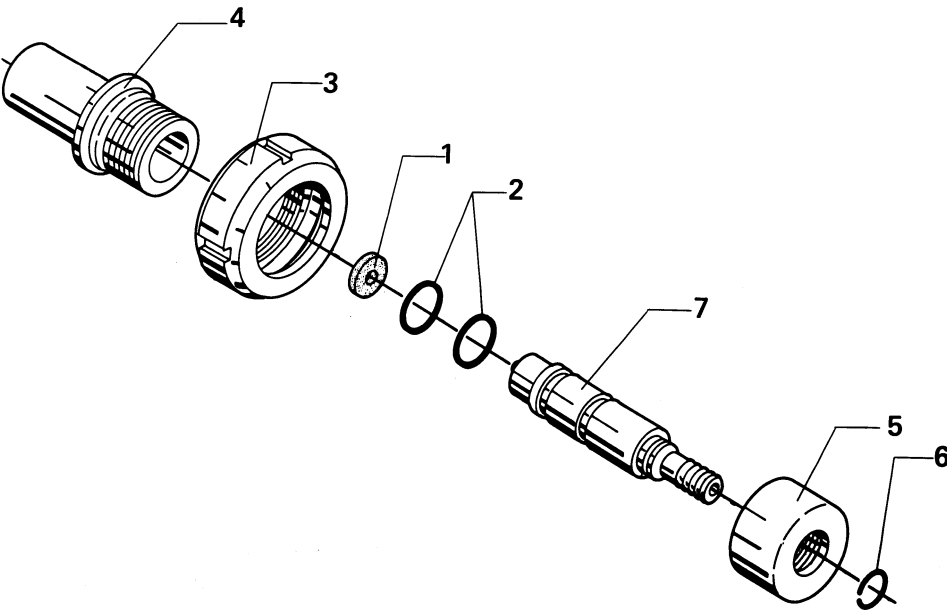
Sampling Valve Type 32

AISI 304

Pos.	Qty.	Denomination	31350-0032-1
1	1	Body	31350-0033-1
2	1	Pressure screw	31350-0034-1
3	1	Rubber plug	31350-0035-1
4	1	Plug	31350-0036-1

Aseptic Sampling Valve Type 19

6



Aseptic Sampling Valve Type 19

Pos.	Qty.	Denomination	31350-0019-1
1 ^Δ	1	Seal	31350-0029-1
2 ^Δ	2	O-ring	223404-33
3	1	Coupling nut	190613
4	1	Cylinder	31350-0027-1
5	1	Nut	31350-0028-1
6	1	Driving ring	31350-0040-1
7	1	Spindle	31350-0026-1
Δ		Service kit	9611-92-3050

Parts marked with ^Δ are included in the **service kits**

Recommended spare parts: **Service kits.**

How to contact Alfa Laval

Contact details for all countries are continually updated on our website. Please visit www.alfalaval.com to access the information direct.