



Instruction Manual

Toftejorg TZ-74 Brew Kettle

IM-TE91A160-EN031

Contents

Contents.....	1
Introduction	3
General Description	4
Functioning.....	4
Standard Configurations	5
Technical Data	6
Installation and Normal Operation	8
General Installation Instructions.....	8
Normal operation.....	9
Maintenance and Repair	10
Preventive Maintenance.....	10
Top Assembly	12
Bottom Assembly	14
Hub Assembly	16
Stem Assembly	18
Gear Assembly.....	20
Replacement of Collar Bushes.....	22
Replacement of Ball Races.....	24
Replacement of Main Collars	26
Tools	28
Standard Tool kit for Toftejorg TZ-74, Article No. TE81B055	28
Sketch of tools for replacement of Main collars	29
Trouble Shooting Guide	30
Symptom: Slow rotation or failure of machine to rotate	30
Reference List of Parts	32
Toftejorg TZ-74, Part List.....	32
Cross Sectional Drawing.....	33
Standard Spare Parts Kit	34
How to order Spare Parts and Claim Procedure.....	35
How to Order Spare Parts	35
Claim Procedure	35
How to contact Alfa Laval Tank Equipment	35
Service Card	36
Claim Report Working Conditions.....	37

Introduction

This manual has been prepared as a guide for the persons who will be operating and maintaining your tank cleaning machine. The key to long life for your tank cleaning machine will always be a system of carefully planned maintenance; you will appreciate that a tank cleaning machine which has a rough and dirty job to do will need more frequent attention than one working in ideal conditions.

It is in your own interest to get the best and most economical performance from your tank cleaning machine. Neglect of maintenance means poor performance, unscheduled stoppages, shorter life and expense. Good maintenance means good performance; no unscheduled stoppages and better total economy.

You will find the information contained in this manual simple to follow, but should you require further assistance, our Customer Service Department and world-wide net of Distributors will be pleased to help you. Please quote the type and serial number with all your enquiries; this will help us to help you. The type and serial number are placed on the gear house of the tank cleaning machine.

Note: The illustrations and specifications contained in this manual were effective at the date of printing. However, as continuous improvements are our policy, we reserve the right to alter or modify any unit specification on any product without prior notice or any obligation.

General Description

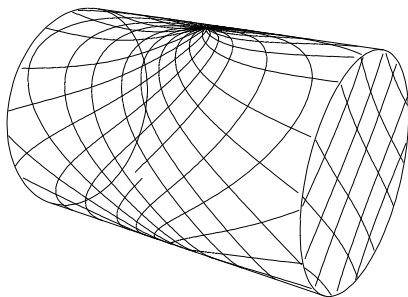
The Toftejorg TZ-74 Brew Kettle version is a special version of the Toftejorg TZ-74 machine. It is especially designed for rough working conditions in amongst others Brew Kettles where fibres, particles etc. may be recirculated in the cleaning media through the machine.

The Toftejorg TZ-74 is a media driven and media lubricated tank cleaning machine. As it is self lubricating, there is no lubricating substances such as oil grease etc. in the machine which needs to be regularly changed.

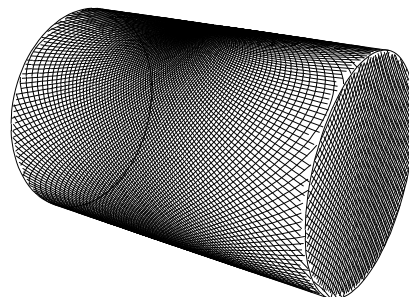
Functioning

The flow of the cleaning fluid passes through a guide and a turbine, which accordingly is set into rotation. The turbine rotation is through a gearbox transformed into a combined horizontal rotation of the machine body and a vertical rotation of the nozzles.

The combined motion of the machine body and the nozzles ensures a fully indexed tank cleaning coverage. After $5\frac{5}{8}$ revolutions of the Hub with nozzles ($5\frac{3}{8}$ revolutions of the machine body) one coarse cleaning pattern is laid out on the tank surface. During the following rounds, this pattern is repeated 7 times, each of which is displaced $\frac{1}{8}$ of the mesh in the pattern. After a total of 45 revolutions of Hub with nozzles (43 revolutions of the machine body), a complete cleaning pattern has been laid out, and the first pattern is repeated.



First cycle



Full pattern

The speed of rotation of the turbine depends on the flow rate through the machine. The higher the flow rate the higher the speed of rotation will be. In order to control the RPM of the machine for a wide range of flow rates, the efficiency of the turbine can be changed (100% and 0% Turbine/Inlet guide).

Apart from the jet flow through the nozzles, fluid is leaking through the top of the machine, at the hub and through the bottom cover. The leakage between the moving parts at the top and at the hub are cleaning the gabs and thus preventing build-up of material that might cause the friction. The flow through the bottom cover is due to the fact that the machine is media lubricated and that accordingly a flow through the gearbox is needed.

General Description (Continued)

Standard Configurations

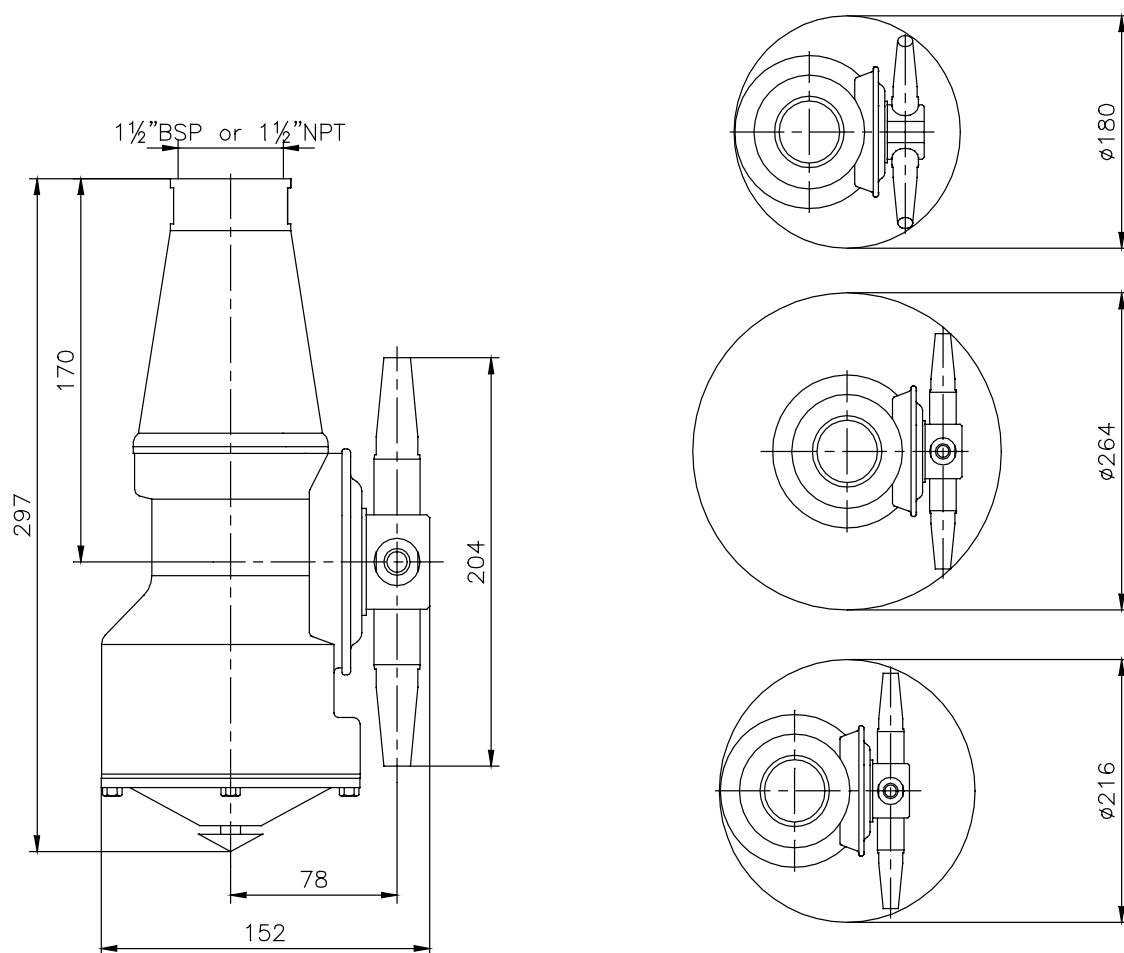
Connection	Turbine / Inlet Guide	Nozzles (mm) (½" thread conn.)	Article No.
<u>Top Cone:</u>	100%	4 x ø6	TE21D108-11
		4 x ø7	TE21D110-11
		4 x ø8	TE21D112-11
1½"NPT, Female	0%	4 x ø8	TE21D130-11
<u>Top Cone:</u>	100%	4 x ø6	TE21D208-11
		4 x ø7	TE21D210-11
		4 x ø8	TE21D212-11
1½" BSP, Female	0%	4 x ø8	TE21D230-11

The machine is equipped with a clutch in the hub, which gives the possibility of rotation by hand the nozzles, when the machine is to be lifted out through a tank opening.

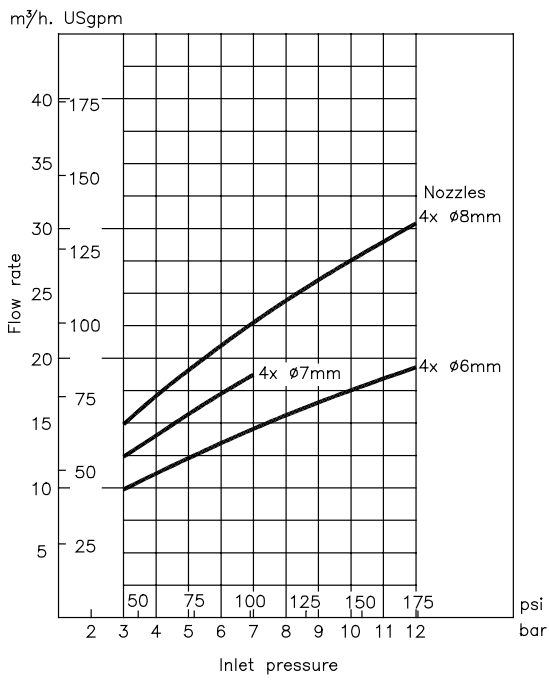
Technical Data

Weight of machine	:	6,1 kgs (13,6 lb)
Working pressure	:	3-12 bar (45-175 psi)
Recommended inlet pressure	:	3-8 bar (45-120 psi)
Working temperature max.	:	95 ^o C (200 F)
Materials	:	Stainless steel AISI 316L, PTFE, Tefzel200, PEEK, Viton

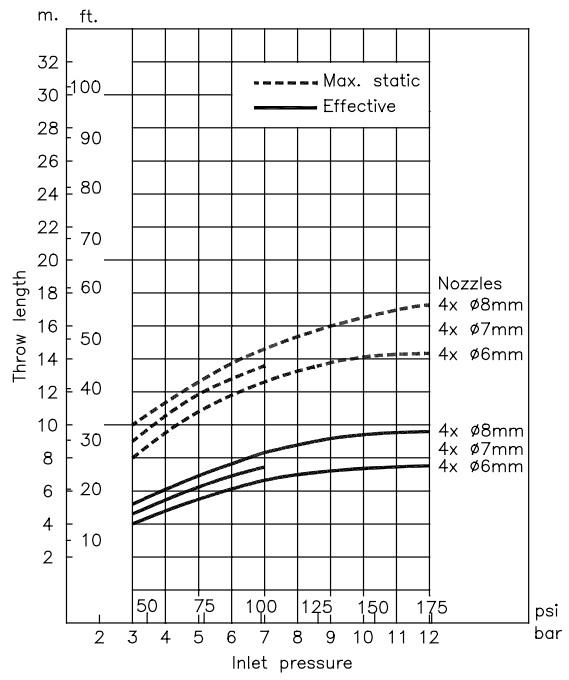
Principal dimensions in mm



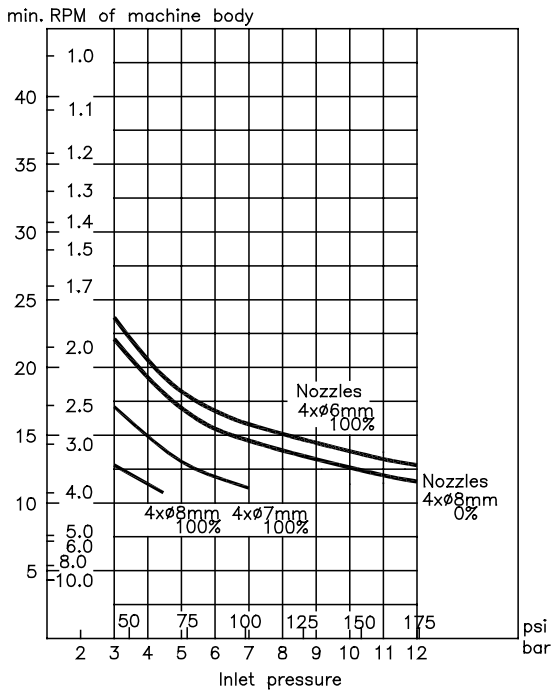
Technical Data (Continued)



Flow rate



Horizontal Throw Length at static Condition



Cleaning Time, Complete Pattern

Installation and Normal Operation

General Installation Instructions

The tank cleaning machine should be installed in a vertical position (upright or upside down). It is recommended to install a filter in the supply line in order to avoid large particles to clog inside the machine. Before connecting the machine into the system, all supply lines and valves should be flushed to remove foreign matter.

For devices with tapered thread connections to the down pipe, it is recommended that you secure the connection in a manner appropriate for the application. Subject to the intended use environment and any inhouse user requirements or policies, an adhesive such as Loctite No. 242 or equivalent could be used. Other methods could be acceptable and subject to customer preference.

Note: The machine shall be installed in accordance with national regulations for safety and other relevant regulations and standards.

Precautions shall be made to prevent starting of the cleaning operation, while personnel are inside the tank or otherwise can be hit by jets from the nozzles.

In EU-countries the complete system must fulfil the EU-machine directive and shall be CE-marked.

Warning:



If the machine is used in potential explosive atmospheres, tapes or joint sealing compounds which are electrical insulators must not be used on threads or joints, unless an electrical connection is otherwise established to ensure an effective earthing. In addition, connecting pipe work, must be electrically conductive and earthed to the tank structure. The resistance between the nozzles and the tank structure should not exceed 20,000 Ohm.

This is essential to avoid the build-up of static electricity on the machine.

For further information see CENELEC R044-001 Safety of Machinery, guidance and recommendations for the avoidance of hazards due to static electricity.

The machine as delivered has been tested at the factory before shipping. For transportation reasons, the nozzles have been removed prior to shipment. Before installation and use, the nozzles should be attached and secured appropriately for the application intended.

Check that the machine is in operating condition by inserting 3/16" hex Screwdriver (tool No. TE134A) in screw in top of Turbine shaft and easily turn Turbine shaft clockwise. If any resistance is recognised, the machine should be disassembled to localise the cause.

Installation and Normal Operation (Continued)

Normal operation

Cleaning Media

Use only cleaning media compatible with Stainless Steel AISI 316L, Tefzel200, PFTE, PEEK and Viton. Please note that Viton is not resistant to a number of organic solvents as esters, ethers and ketones. Normal detergents, moderate solutions of mineral acids and alkalis are acceptable. Aggressive chemicals, excessive concentrations of chemicals at elevated temperatures as well as hydrochlorides should be avoided. If you are in doubt, contact your local Alfa Laval Tank Equipment sales office.

After Use Cleaning

After use flush the machine with fresh water. Cleaning solutions should never be allowed to dry or set-up in the system due to possible "salting out" or "scaling" of the cleaning ingredient. If cleaning media contains volatile chloride solvents, it is recommended not to flush with water after use, in case this can create hydrochloric acid.

Pressure

Avoid hydraulic shocks. Put on pressure gradually. Do not exceed 12 bar inlet pressure. Recommended inlet pressure appears from Technical Data (page 6-7). High pressure in combination with high flow rate will increase consumption of wear parts.

Maintenance and Repair

Preventive Maintenance

In order to keep your tank cleaning machine servicing you as an efficient tool in your tank cleaning operations, it is essential to maintain its high performance by following a simple preventive maintenance programme, which will always keep your tank cleaning machine in good condition.

Good maintenance is careful and regular attention!

The following recommended preventive maintenance is based on tank cleaning machines working in average conditions. However, you will appreciate that a tank cleaning machine, which has a rough and dirty job to do, will need more frequent attention than one working in ideal conditions. We trust that you will adjust your maintenance programme to suit.

Always use only proper tools. Use standard tool kit. Never force, hammer or pry components together or apart. Always perform all assembly/disassembly steps in the order described in this manual.

Never assemble components without previous cleaning. This is especially important at all mating surfaces. Work in a clear well lighted work area.

Every 300 working hours

1. Disassemble machine as described on the following pages.
2. Clean material build-up and deposits from internal parts with Scotch-brite, S-Ultrafine, eventually chemical cleaner and fine abrasive cloth.
3. Check Slide bearings (pos. 28 on the cross sectional drawing, page 33) for wear. If hole is worn oval to max. diameter more than 10.4 mm, Slide bearings should be replaced. If endface of Slide bearing is worn more than x mm into Slide bearing, it should be replaced.

Under Turbine shaft : x = 1,5 mm

At Horizontal shaft : x = 0,5 mm

4. Check Collar bushes (pos. 10) in Gear frame. If holes are worn oval to max. diameter more than 10.4 mm, Collar bush should be replaced. How to replace Collar bushes, see page 22.

Note: Timely replacement of Slide bearings and Collar bushes will prevent costly damage to the gear box.

Maintenance and Repair (Continued)

Preventive Maintenance

5. Check Worm wheels (pos. 11 and pos. 33). If extremely worn, they should be replaced.
6. Check Main bush (pos. 5). If worn it should be replaced.
7. Assemble machines as described in the following pages.
8. Check that the machine is in operating condition by inserting 3/16" hex Screwdriver (tool No. TE134A) in screw in top of Turbine shaft and easily turn Turbine shaft clockwise. If any resistance is recognised, the machine should be disassembled to localise the cause.

Apart from the parts specifically mentioned above, all the remaining wear parts should regularly be inspected for wear. Which parts that are wear parts appear from Reference List of Parts, page 32.

Service Card

For your registration of maintenance carried out, fill in service card which you will find at the back of this manual.

Maintenance and Repair (Continued)

Top Assembly

Disassembly

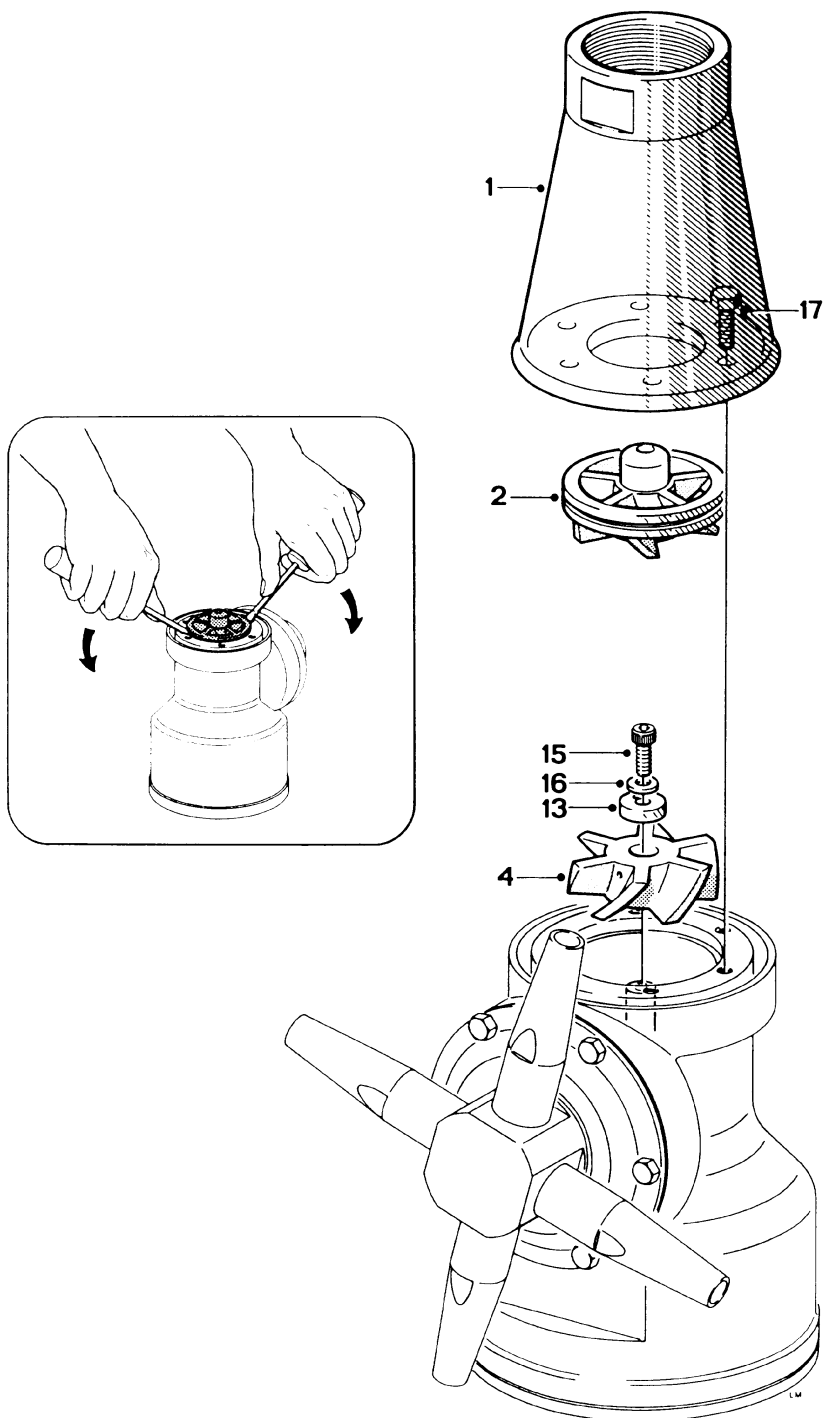
1. Remove 3/16" Screws (pos. 17). Loosen and unscrew with a socket wrench (tool No. TE462A).
2. Lift off Top Cone (pos. 1).
3. Remove Guide /Guide ring (pos. 2). The Guide has a groove in the outer diameter. The Guide is easily lifted out of the Stem by means of two ordinary Screwdrivers inserted into the groove.
4. Remove 3/16" Screw (pos. 15), Spring washer (pos. 16) and Washer (pos. 13). To secure Impeller against rotation, insert carefully Screwdriver (tool No. TE134A), through Impeller (pos. 4) into a hole in the Stem.
5. Pull off Impeller (pos. 4).

Reassembly

1. Reinstall Impeller (pos. 4). Make sure that Impeller is correctly rotated to be pushed onto Turbine shaft. Do not try to hammer Impeller in position, as this will destroy Slide bearing under Turbine shaft.
2. Mount Washer (pos. 13), Spring washer (pos. 16) and 3/16" Screw (pos. 15) and tighten. To secure Impeller against rotation insert carefully Screwdriver (tool No. TE134A) through Impeller (pos. 4) into a hole in the Stem.
3. Reinstall Guide /Guide ring (pos. 2).
4. Mount Top Cone (pos. 1). Make sure that it is in correct position over Guide/Guide ring (pos. 2) Rotate Top cone to align holes in Top cone and Stem.
5. Mount and tighten 3/16" Screws (pos. 17) with a socket wrench (tool No. TE462A).

Maintenance and Repair (Continued)

Top Assembly



Maintenance and Repair (Continued)

Bottom Assembly

Disassembly

1. Turn machine upside down.
2. Remove 3/16" Screws (pos. 31) from Bottom cover (pos. 30).
3. Remove Bottom cover (pos. 30) and Gasket (pos. 32).
4. Remove 3/16" Screws (pos. 15) in Bearing cover (pos. 14). Carefully push out Turbine shaft (pos. 6) from opposite end. Do not try to hammer out Turbine shaft, since this can destroy Slide bearing and O-ring.
5. Check O-ring (pos. 35) and replace if worn.
6. Remove 3/16" Screws (pos. 15) and Spring Washers (pos. 16) along the circumference of Gear frame (pos. 29). Turn Gear frame about 1 cm ($\frac{1}{2}$ "). Draw out Gear Subassembly (holes in Gear frame are excellent for holding Gear Subassembly).

Reassembly

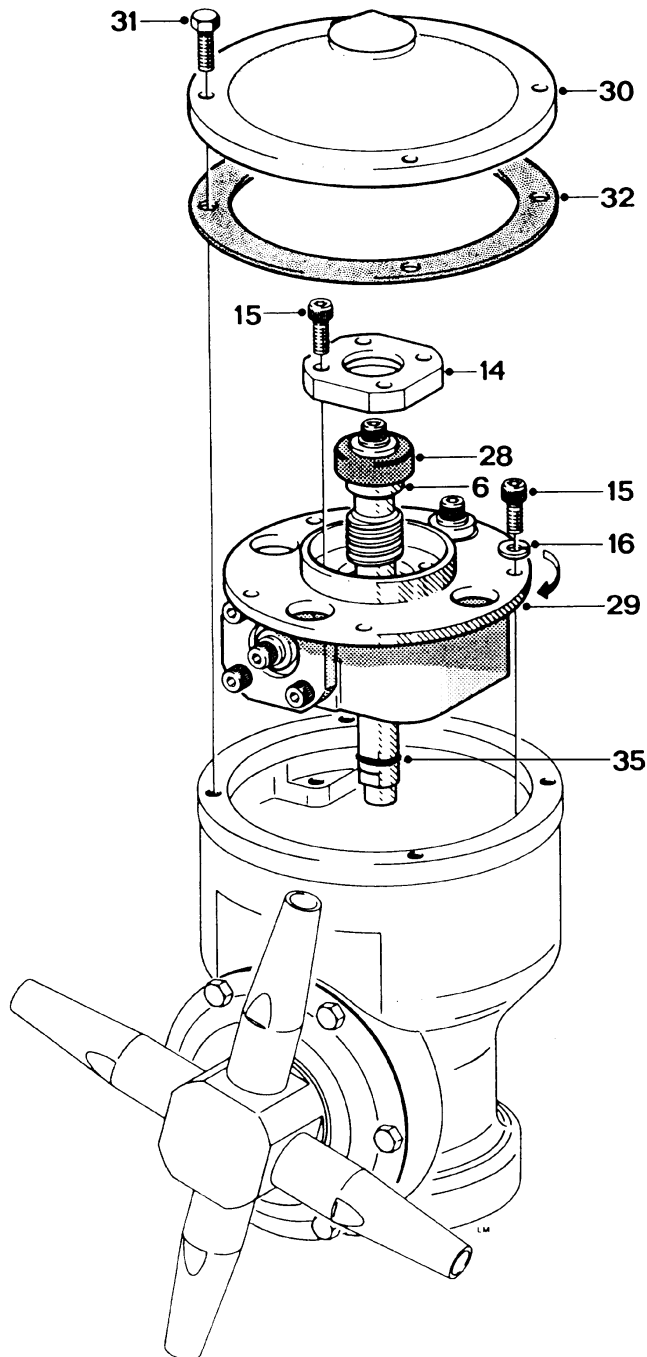
1. Reinsert Gear subassembly in bottom of machine body. Turn Gear Frame (pos. 29) to align holes in Gear frame and 3/16" threads in body. Mount Spring washers (pos. 16) and 3/16" Screws (pos. 15) along circumference of Gear frame (pos. 29). Tighten screw crosswise.

Note: To secure meshing between Gear wheel (pos. 7) and Pinion (pos. 9). It might be necessary to rotate slightly either the whole Gear Subassembly or the Gear wheel.

2. Reinsert Turbine shaft (pos. 6) with Slide bearing carefully through Gear wheel (pos. 7). Push carefully Slide bearing (pos. 28) into position. Mount Bearing cover (pos. 14) with 3/16" Screws (pos. 15). Tighten crosswise.
3. Place Bottom gasket (pos. 32) and Bottom cover (pos. 30).
4. Mount 3/16" Screws (pos. 31) and tighten crosswise.

Maintenance and Repair (Continued)

Bottom Assembly



Maintenance and Repair (Continued)

Hub Assembly

Disassembly

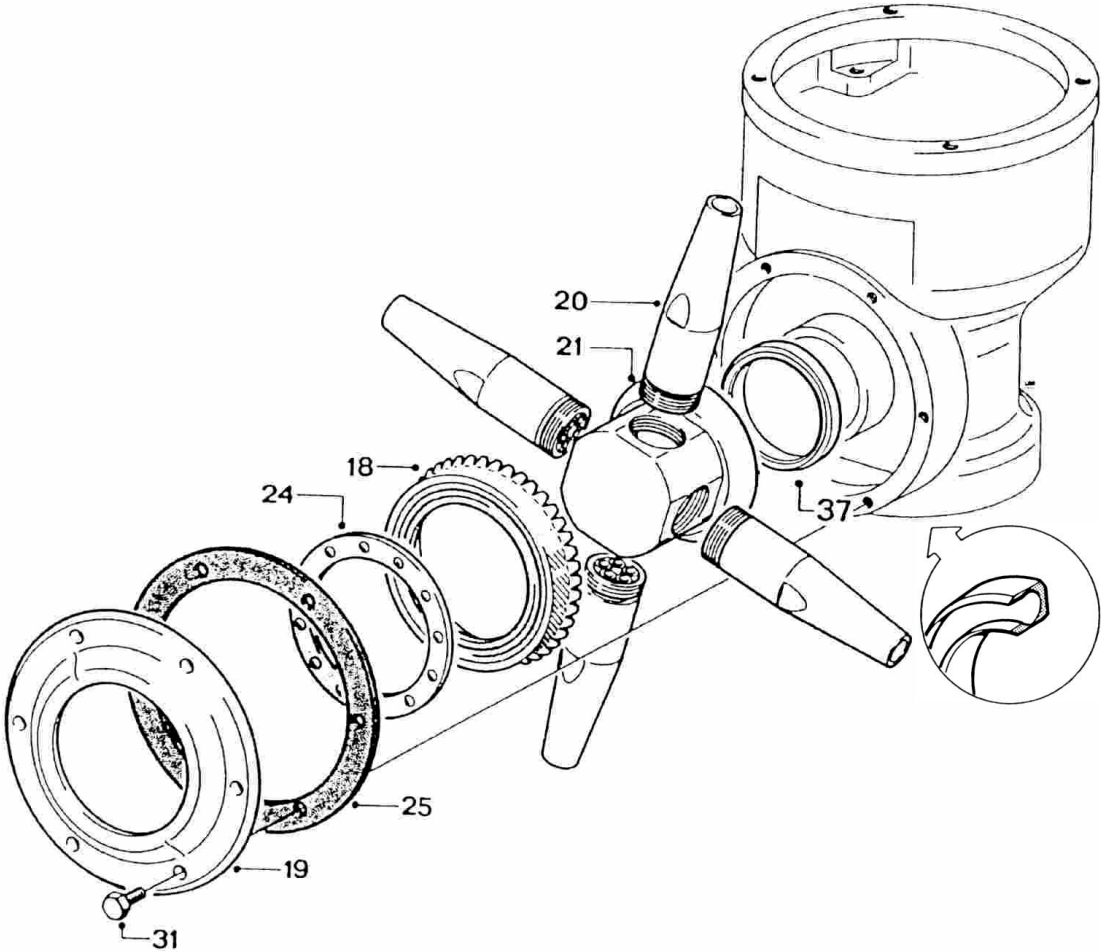
1. Remove Nozzles (pos. 20). Nozzles are untightened with a wrench on the faces of the Nozzles.
2. Remove 3/16" Screws (pos. 31), Hub cover (pos. 19), and Gasket (pos. 25).
3. Draw out Hub (pos. 21) together with Ball retainer with balls (pos. 24) and Bevel gear (pos. 18).
4. Check Lip seal (pos. 37), if it is worn it should be replaced.
5. If Ball races (pos. 18.1 and 19.1) in Hub cover and in Bevel gear are extremely worn, they should be replaced as well as the Ball retainer with balls (pos. 24). How to replace Ball races see page 24).

Reassembly

1. Carefully replace Lip seal (pos. 37) in the Hub (pos. 21)
2. Slide on Hub (pos. 21). Reinsert Bevel gear with race (pos. 18) and Ball retainer with balls (pos. 24).
3. Mount Gasket (pos. 25) and Hub cover with race (pos. 19), and set with 3/16" Screws (pos. 31).
4. Screw on Nozzles (pos. 20) and tighten with wrench.

Maintenance and Repair (Continued)

Hub Assembly



Maintenance and Repair (Continued)

Stem Assembly

Disassembly

1. Place machine in upside-down position.
2. Remove 3/16" Screws (pos. 15) in Gear wheel (pos. 7). To prevent rotation of Stem (pos. 3) mount two 3/16" screws in two holes opposite one another in BIG end of Stem. Place Stem in a vice held by the heads of the two screws.
3. Draw out Gear wheel with ball races (pos. 7) and Ball retainer with balls (pos. 24).
4. Push out Stem (pos. 3).
5. Check O-ring on Stem (pos. 36) and O-ring in Upper collar main (pos. 34), replace if worn.
6. If worn, press out Main bush (pos. 5).

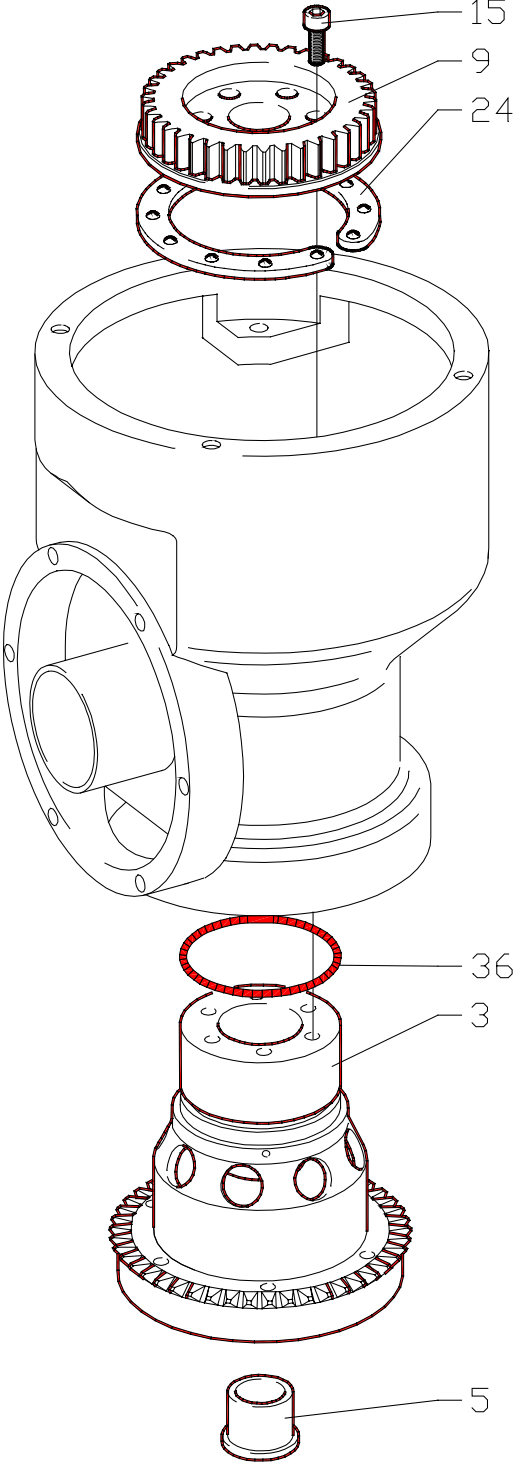
If Ball races in Body (pos. 26.3) and on Gearwheel (pos. 7.1) are extremely worn they should be replaced together with Ball retainer with balls (pos. 24). How to replace Ball races see page 24.

Reassembly

1. If replaced press Main bush (pos. 5) into Stem (pos. 3).
2. Push carefully Stem into Body. Turn machine upside-down.
3. Place Ball retainer with balls (pos. 24) and Gear wheel (pos. 7) into Body on Ball race. Rotate Gearwheel to check free rotation. Mount gearwheel with 3/16" Screws (pos. 15) and tighten crosswise. To prevent rotation of Stem (pos. 3) mount two 3/16" screws in two holes opposite one another in BIG end of Stem. Place Stem in a vice held by the heads of the two screws.

Maintenance and Repair (Continued)

Stem Assembly



Maintenance and Repair (Continued)

Gear Assembly

Disassembly

1. To make a backstop, remount Turbine shaft (pos. 6) with Slide bearing (pos. 28) and O-ring (pos. 35) into Gear frame (pos. 29). Mount Bearing cover (pos. 14) with 3/16" Screws (pos. 15).
2. Hold Turbine shaft (pos. 6) against 1st stage Worm wheel (pos. 33) with one hand and loosen 3/16" Screws (pos. 15) in Pinion (pos. 9) and Horizontal shaft (pos. 27) with the other hand.
3. Remove 3/16" Screws (pos. 15) in Bearing cover (pos. 14) and take out Turbine shaft (pos. 6).
4. Draw out Horizontal shaft (pos. 27) and 1st stage Worm wheel (pos. 33) after removal of 3/16" Screw (pos. 15), Spring washer (pos. 16) and Washer (pos. 13).
5. Draw out Pinion (pos. 9) and 2nd stage Worm wheel (pos. 11), also freeing Journal (pos. 12) after removal of 3/16" Screw (pos. 15), Spring washer (pos. 16) and Washer (pos. 13).
6. Remove Bearing cover (pos. 14) and Slide bearing (pos. 28) after removal of 3/16" Screw (pos. 15).
7. Remove 3/16" Screw (pos. 15), Spring washer (pos. 16), Washer (pos. 13), Slide bearing (pos. 28) and O-ring (pos. 35) from Turbine shaft (pos. 6). Use faces on Turbine shaft to hold against rotation.

Warning:



Do not destroy driver faces on Turbine shaft. Use only proper tools providing a firm grip such as a wrench or a vice.

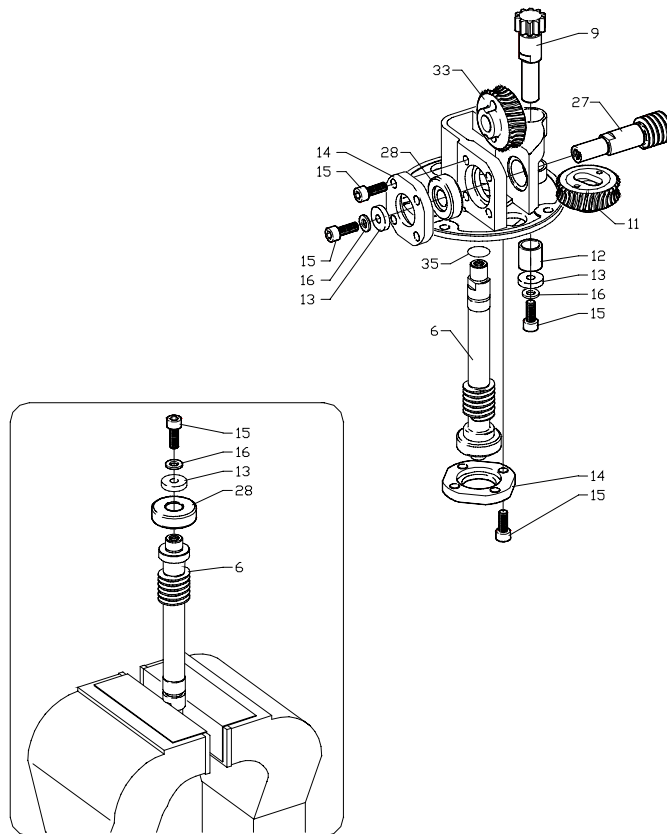
How to replace Collar bushes (pos. 10), see page 22.

Reassembly

1. Mount O-ring (pos. 35) and Slide bearing (pos. 28) carefully on Turbine shaft (pos. 6) and secure with Washer (pos. 13), Spring washer (pos. 16) and 3/16" Screw (pos. 15). Hold Turbine shaft in a vice or with wrench on driver faces and tighten.
2. Push Slide bearing (pos. 28) for Horizontal shaft (pos. 27) into Gear frame (pos. 29) and fix Bearing cover (pos. 14) with 3/16" Screws (pos. 15). Tighten crosswise.

Maintenance and Repair (Continued)

Gear Assembly



3. Insert 2nd stage Worm wheel (pos. 11), Pinion (pos 9) and Journal (pos. 12). Mount Washer (pos. 13), Spring washer (pos. 16) and fix with 3/16" Screw (pos. 15). Check rotation.

Note: It is important that the Screw holding the Pinion is fastened to a torque moment of 5 Nm, to secure it from loosening.

4. Insert 1st stage Worm wheel (pos. 33) and Horizontal shaft (pos. 27). Mount Washer (pos. 13), Spring washer (pos. 16) and fix with 3/16" Screw (pos. 15). Check rotation.
5. Reinstall Turbine shaft (pos. 6) against 1st stage Worm wheel and tighten 3/16" Screws (pos. 15) in Horizontal shaft (pos. 27) and Pinion (pos. 9).
6. Hold Turbine shaft (pos. 6) against 1st stage Worm wheel and tighten 3/16" Screws (pos. 15) in Horizontal shaft (pos. 27) and Pinion (pos. 9).
7. Remove Turbine shaft (pos. 6) with O-ring (pos. 35) and Slide bearing (pos. 28) before Gear subassembly is inserted in machine body.

Maintenance and Repair (Continued)

Replacement of Collar Bushes

1. Place Gear frame (pos. 29) upside down with a firm support under the flange. Use for instance jaws of a vice. Do not clamp on machined surfaces. With Pusher (tool No. TE81B033, see page 28) knock out Collar bush.
2. Turn Gear frame to upright position and hold over support such as flat steel bar clamped in a vice. Knock out Collar bush with Pusher.
3. Turn Gearframe 90° and hold over support. Knock out collar bush with Pusher.

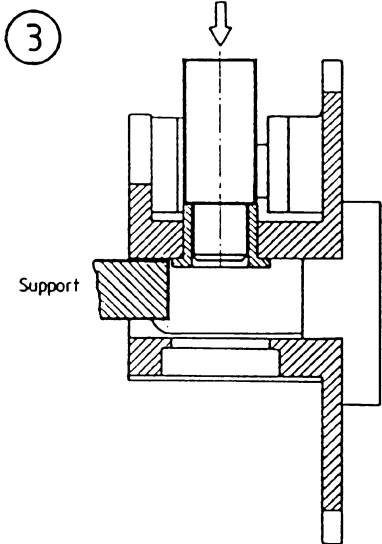
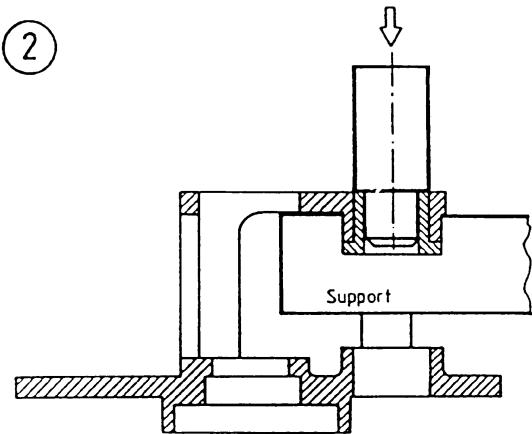
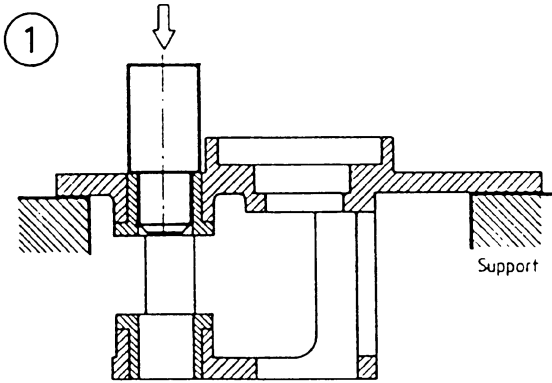
Warning: To avoid risk of deforming Gear frame, it is utmost important that it is supported while the Collar bushes are being knocked out.



4. Clean holes and push in new Collar bushes into Gear frame.

Maintenance and Repair (Continued)

Replacement of Collar Bushes



Removal of old Collar bushes.

Maintenance and Repair (Continued)

Replacement of Ball Races

In body

1. a. With big end downwards knock several times Body with bearings (pos. 26) hard against firm wooden support until Ball race (pos. 26.3) drops out.
1. b. If it is not possible to knock out Ball race in this way, it is necessary first to screw out Main collar lower (pos. 26.2) – see page 26. Carefully push off old Ball race without damaging Main collar lower. Use mandrel and firm support.

Before mounting of new Ball race, Main collar lower (pos. 26.2) must be remounted into Body – see page 26.

2. Clean surfaces and place Ball race (pos. 26.3) on Main collar lower (pos. 26.2). Press by hand as long as possible. By means of a tube mandrel or if desired wooden block, carefully hammer Ball races home.

Ball races must not project over end-face of Main collar lower. To avoid tilting mandrel must push along the whole circumference of Ball race. Do not damage surface of Ball race.

On Gear wheel

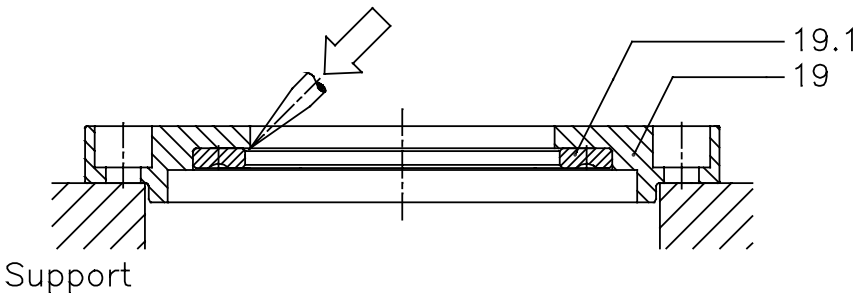
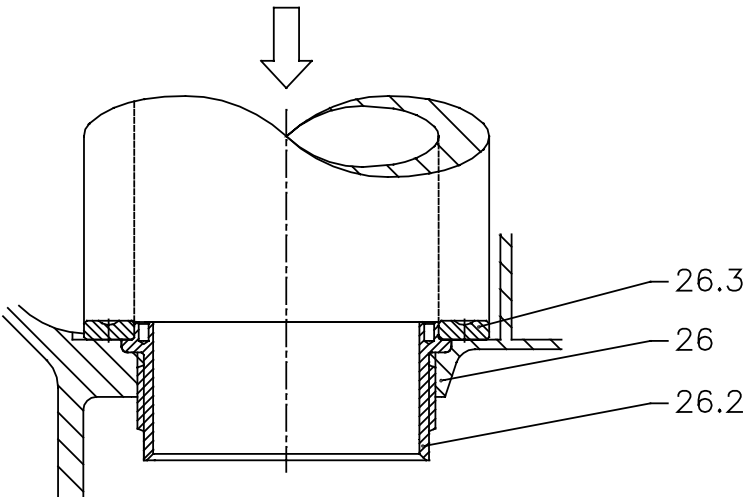
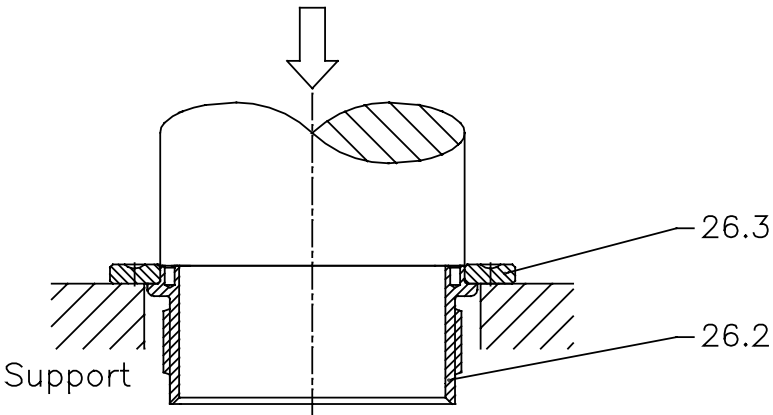
1. Place Gear wheel with ball race (pos. 7) on support. Support only under Ball race (pos. 7.1). With mandrel press off old Ball race.
2. Clean surfaces and press on new Ball race. Ball race must be pressed fully home on Gear. Press parallel. Use press or vice. Do not damage surface of Ball race.

In Hub cover

1. Place Hub cover with ball race (pos. 19) on support. Carefully knock out old Ball race by means of small mandrel or if desired screwdriver. Knock several times around the circumference to avoid tilting.
2. Clean surfaces and press in new Ball race. Ball race must be pressed fully home. Press parallel. Do not damage surface of Ball race.

Maintenance and Repair (Continued)

Replacement of Ball races



Maintenance and Repair (Continued)

Replacement of Main Collars

Although normally exposed to very limited wear, it is possible to replace Main collars (pos. 26.1 and 26.2) in Body. The procedure to do this is described below.

Main collar upper:

1. Place Body (pos. 26) in a vice upright position. Do not clamp on machined faces. Insert tool (see page 29) into Main collar upper (pos. 26.1). Unscrew Main collar.
2. Carefully clean thread and recess in Body. Do not damage special thread in Body. Recess must be absolutely clean.
3. Make sure that new Main collar is clean and free from impurities.
4. Remove O-ring (pos. 34) from old Upper main collar and place it in the new one. (inspect O-ring, if worn it should be replaced also)
5. Screw in new Main collar. Attention should be given to make sure that thread is in correct engagement before screwing in Main collar.
6. Tighten Main collar fully home and tighten up.
7. Check that Main collar is fully home: install Stem, Ball retainer with balls and Gear wheel (see page 18). Check that there is sufficient axial clearance to allow for free rotation of Stem.

Main collar lower:

1. Place Body in a vice in upside down position. Do not clamp on machined faces. Insert tool (see page 29) into Main collar lower (pos. 26.2). Unscrew Main collar.

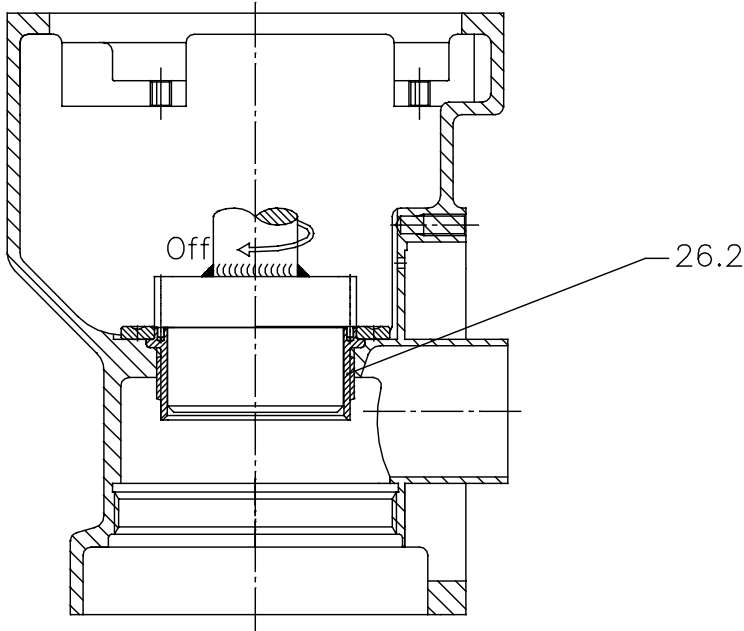
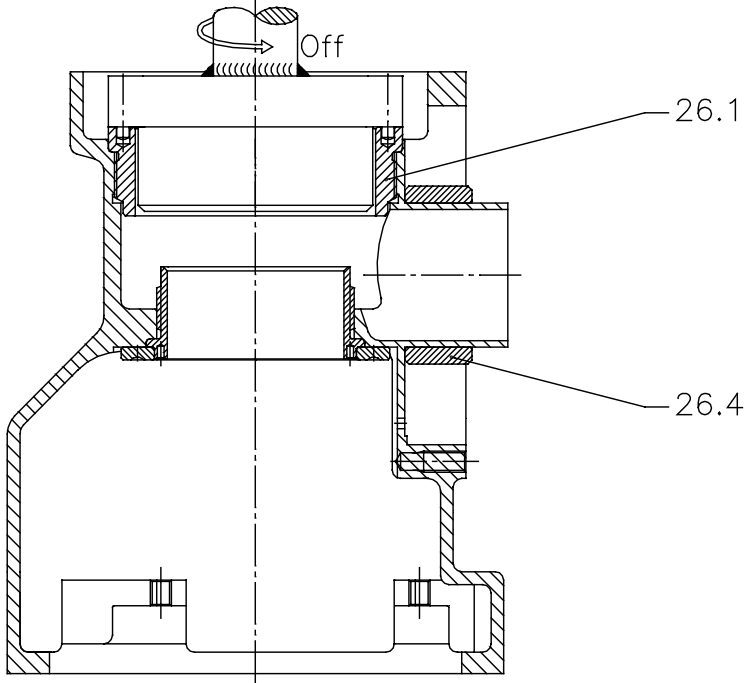
Warning: Thread on Main collar lower is left-handed.



2. Carefully clean thread and recess in Body. Do not damage special thread in Body. Recess must be absolutely clean.
3. Make sure that new Main collar is clean and free from impurities.
4. Inspect O-ring on stem (pos. 36), if worn it should be replaced.
5. Screw in new Main collar. Attention should be given to make sure that thread is in correct engagement before screwing in Main collar.
6. Tighten Main collar fully home and tighten up.
7. Check that Main collar is fully home: install Stem, Ball retainer with balls and Gear wheel (see page 19). Check that there is sufficient axial clearance to allow for free rotation of Stem.

Maintenance and Repair (Continued)

Replacement of Main Collars



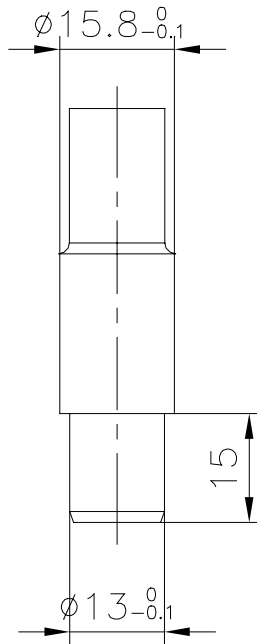
Tools

Standard Tool kit for Toftejorg TZ-74, Article No. TE81B055

Tool No.	Description
TE134	Hex Key for Screw
TE134A	Hex Screwdriver for Screw
TE462A	Socket wrench for Hex Screw

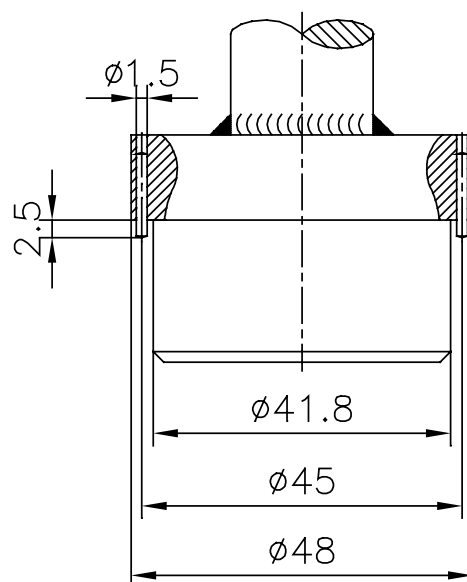
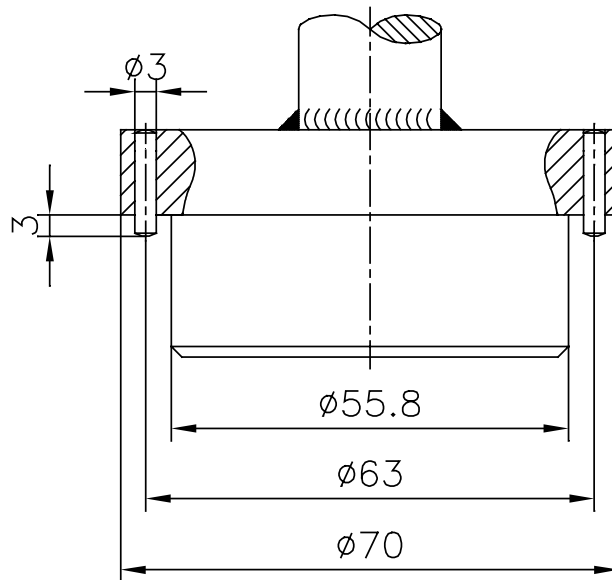
Available on request:

TE81B033 Pusher for Collar bush, 1½"



Tools (Continued)

Sketch of tools for replacement of Main collars



Trouble Shooting Guide

Symptom: Slow rotation or failure of machine to rotate

Possible Causes	Fault finding
No or insufficient liquid flow	<p>a). Check if supply valve is fully open</p> <p>b). Check if inlet pressure to machine is correct</p> <p>c). Check supply line and filter for restriction/clogging</p> <p>d). Remove Nozzles and check for clogging. If blocked, carefully clean Nozzle without damaging stream straighteners and Nozzle tip.</p> <p>e). Remove Top cone Guide and Impeller (see page 12) and check for clogging in Impeller area.</p> <p>If large particles repeatedly get jammed in the machine, install filter or reduce mesh size of installed filter in supply line.</p>
Foreign material or material build-up	<p>Insert hex Screwdriver in Screw in top of Turbine shaft and easily turn Turbine shaft clockwise. If any resistance is recognised, disassemble machine in order to localise the cause.</p>
a). Impeller jammed	Remove Guide and Impeller (see page 12) and remove foreign material.
b). Turbine shaft sluggish in Main bush	Remove Turbine shaft (see page 14) and clean Main bush.
c). Bevel gears jammed	Remove Top cone and Hub Subassembly (see page 16). Clean teeth on Stem and Bevel gear.
d). Stem jammed/sluggish	Remove Gear subassembly (see page 14). Check free rotation of Stem. Remove Stem (see page 18). Remove foreign material/material build-up on Stem and inside Main collars. Clean Ball races and Ball retainer with balls. Also clean main bush.

Trouble Shooting Guide (Continued)

Possible Causes

Fault finding

-
- | | |
|-----------------------------|---|
| e). Gearbox jammed/sluggish | Remove foreign material from Gearbox. Check rotation of shafts. If restriction is recognized, disassemble gearbox (see page 20) and remove material build up, especially on 2. Stage Worm wheel and mating Collar bushes. |
| f). Hub jammed/sluggish | Disassemble Hub Subassembly (see page 16). Remove foreign material inside Hub. Clean Ball races and Ball retainer with balls. Also clean nose of Body. |
-

Wear

- | | |
|---------------------|--|
| a) Slide bearings | See page 10. |
| b) Main bush | See page 11. |
| c) Worm wheels | See page 11. |
| d) Collar bushes | See page 10. |
| e) Turbine shaft | Check clearance in Main bush and in Slide bearing. Transverse movement should not exceed 0.5 mm. Also inspect Worm wheel for wear. |
| f) Horizontal shaft | Check clearance in Collar bushes. Transverse movement should not exceed 0.5 mm. Also inspect worm for wear. |
-

Mechanical defects

- | | |
|---|---|
| a). Worm wheels. Teeth broken | Replace Worm wheel. |
| b). Worm wheel can rotate on Horizontal shaft/Pinion due to damaged driver faces. | Replace Worm wheel. |
| c). Damaged teeth on gear | Inspect teeth on Stem and Hub for deformation. Mount Hub and Stem in Body (see page 16 and 18). Hold Body in upside down position and rotate Hub to check that Bevel gears can work together. If damaged: Replace Stem and/or Bevel gear. |
-

Reference List of Parts

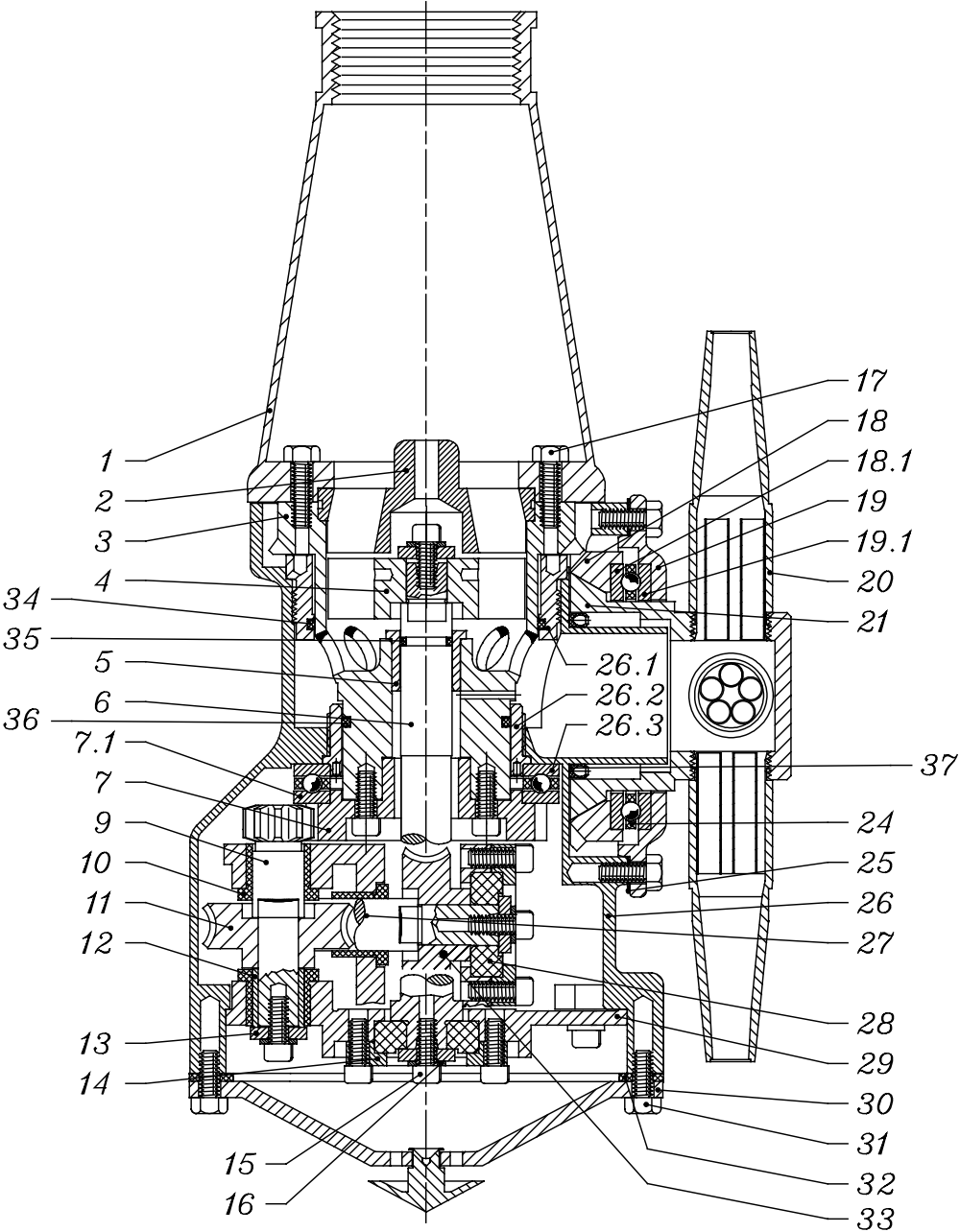
Toftejorg TZ-74, Part List

Pos.		Ref. No.	No/Unit	Description	Material	Remarks
1	<input type="checkbox"/>	TE21D500	1	Top Cone 1½" BSP	AISI 316L	Spare part
	<input type="checkbox"/>	TE21D501	1	Top Cone 1½" NPT	AISI 316L	-
2	<input type="checkbox"/>	TE703	1	Guide 100%	AISI 316L	-
	<input type="checkbox"/>	TE803-0	1	Guide ring 0%	AISI 316L	-
3		TE21D557	1	Stem	AISI 316L	-
4		TE705	1	Impeller 100%	AISI 316L	Spare part
5		TE21A525	1	Main bush	PEEK	Wear part
6		TE21F503	1	Turbine shaft	AISI 316L	-
7		TE712-13	1	Gear wheel w. ball race	AISI 316L	Spare part
7.1		TE826-1	(1)	Ball race	AISI 316L	Wear part
9		TE814	1	Pinion	AISI 316L	Spare part
10		TE21A585	3	Collar bush	PEEK	Wear part
11		TE21A367	1	Wormwheel w. reinforcem.	PEEK	-
12		TE817	1	Journal	AISI 316L	Spare part
13		TE719A	4	Washer	AISI 316L	-
14		TE731	2	Bearing cover	AISI 316L	-
15		TE118	22	Screw	AISI 316	-
16		TE156	8	Spring washer	AISI 316	-
17		TE402H	6	Hex Screw	AISI 316	-
18		TE722S	1	Bevel gear w. ball race	AISI 316L	-
18.1		TE826-1	(1)	Ball race	AISI 316L	Wear part
19		TE21D340	1	Hub cover w. ball race	AISI 316L	Spare part
19.1		TE826-1	(1)	Ball race	AISI 316L	Wear part
20	<input type="checkbox"/>	TE50A006	4	Nozzle, ø6 mm	AISI 316L	Spare part
	<input type="checkbox"/>	TE50A007	4	Nozzle, ø7 mm	AISI 316L	-
	<input type="checkbox"/>	TE50A008	4	Nozzle, ø8 mm	AISI 316L	-
21		TE21C536	1	Hub	AISI 316L	-
24		TE21A380	2	Ball retainer w. balls	Tefzel200/AISI316	-
25		TE21D562	1	Hub gasket	Teflon TFM	-
26		TE727Z4	1	Body	AISI 316L	Not available
26.1		TE21D558	(1)	Main collar upper	PEEK	Wear part
26.2		TE21B521	(1)	Main collar lower	PEEK	-
26.3		TE826-1	(1)	Ball race	AISI 316L	-
27		TE828Z	1	Horizontal shaft	AISI 316L	-
28		TE21A570	2	Slide bearing	PEEK	-
29		TE730	1	Gear frame	AISI 316L	Spare part
30		TE21D350	1	Bottom cover compl.	AISI 316L	-
31		TE421H	10	Hex Screw	AISI 316L	-
32		TE21D563	1	Bottom gasket	Teflon TFM	-
33		TE21A367	1	Wormwheel w. reinforcem.	PEEK	Wear part
34		TE807	1	O-ring	Viton	-
35		TE810	1	O-ring	Viton	-
36		TE825	1	O-ring	Viton	-
37		TE21B549	1	Lip seal	ACO212CF	-

Configuration as delivered marked

) XX = Nozzle diameter in mm. Delivered with x ø mm nozzles

Cross Sectional Drawing



Standard Spare Parts Kit

Standard Spare Part Kit for Toftejorg TZ-74 Brew Kettle, Article No. TE21D297

Part No.	Description	No.
TE21A525	Main bush, PEEK	1 pcs.
TE21A585	Collar bush, PEEK	3 pcs.
TE21A570	Slide bearing, PEEK	2 pcs.
TE21A367	Worm wheel, PEEK	2 pcs.
TE807	O-ring	1 pcs.
TE810	O-ring	1 pcs.
TE825	O-ring	1 pcs.
TE21B549	Lip Seal	1 pcs.

How to order Spare Parts and Claim Procedure

How to Order Spare Parts

On the Cross Sectional Drawing as well as on all instruction drawings, the individual parts have a pos. No., which is the same on all drawings. From the pos. No. the part is easily identified in the Reference List of Parts, page 32.

Individual parts should always be ordered from the Reference List of Parts, page 32. Ref. No. and Description should be clearly stated.

Please also quote the type of machine and serial No. This will help us to help you. The type and serial Nos. are stamped on the Body of the tank cleaning machine.

Claim Procedure

In case of failure that needs assistance from Alfa Laval Tank Equipment, it is essential for our evaluation that the problem as well as the working conditions of the machine are described as detailed as possible.

For description of the working conditions, fill in copy of Claim Report - Working Conditions, which you will find at the back of this manual.

How to contact Alfa Laval Tank Equipment

For further information please feel free to contact:

Alfa Laval Tank Equipment
Baldershoej 19
P.O. Box 1149
2635 Ishoej
Denmark

Phone no.: +45 43 55 86 00
Fax no.: +45 43 55 86 01
www.alfalaval.com
www.toftejorg.com

Contact details for all countries are continually updated on our websites.

Service Card

Type of Machine : _____

Serial No. : _____

Configuration : Nozzle diameter : _____ mm

Impeller : _____ %

Guide : _____ %

Date	No. of Working Hours	Maintenance Actions/ Exchanged Parts	Remarks	Sign.
	0	Machine put into operation		

Vers. 94.2

Claim Report Working Conditions

Page 1/2

Ref. Claim Case : _____

Machine/Cleaner Type : _____ Serial No.: _____

Configuration

- Nozzles : _____ x \emptyset _____ mm

- Turbine/Inlet Guide : _____ %

Working Conditions

Inlet pressure at machine/cleaner : _____

Type of Valve in inlet line : _____

Can hydraulic shock be disregarded: : Yes No

Inlet line flushed before installation of tank cleaner? : Yes No

Working hours before failure : _____ hours

Cleaning Programme

Cleaning media and conc.	Temperature	Time	Recirculation?

Is sterilising being used? : Yes No

Procedure (media/temp.)? : _____

Is steam injection being used for heating? : Yes No

Time: _____

Temperature: _____

v. 98.1

Claim Report Working Conditions (continued)

Page 2/2

Condition of Cleaning Media

- | | |
|---|---|
| <input type="checkbox"/> Clean | |
| <input type="checkbox"/> Contaminated with (nature and description) | |
| <input type="checkbox"/> Chemicals/Solvents _____ | <input type="checkbox"/> High viscous |
| <input type="checkbox"/> Soluble | <input type="checkbox"/> Sticky/tenacious |
| <input type="checkbox"/> Low viscous | <input type="checkbox"/> Solidifying |
| <input type="checkbox"/> Hard particles/size _____ | <input type="checkbox"/> Crystallizing |
| <input type="checkbox"/> Soft particles/size _____ | |

Has filter been installed in inlet line?

- | | |
|------------------------------|----|
| <input type="checkbox"/> Yes | |
| Mesh size: _____ | mm |
| <input type="checkbox"/> No | |

Is tank cleaner flushed with clean water after tank cleaning?

- | | |
|------------------------------|-----------------------------|
| <input type="checkbox"/> Yes | <input type="checkbox"/> No |
|------------------------------|-----------------------------|

Type of Sludge/Tank Contents to be removed

Name, formula/concentration of material to be removed from tank : _____

What is material soluble in : _____

Nature of material:

- | | | |
|---|---|--|
| <input type="checkbox"/> Volatile/explosive | <input type="checkbox"/> Sticky/tenacious | <input type="checkbox"/> Contains soft particles |
| <input type="checkbox"/> Low viscous | <input type="checkbox"/> Solidifying | <input type="checkbox"/> Contains hard particles |
| <input type="checkbox"/> High viscous | <input type="checkbox"/> Crystallizing | |

Is tank cleaner submerged in material?

- | | |
|------------------------------|-----------------------------|
| <input type="checkbox"/> Yes | <input type="checkbox"/> No |
|------------------------------|-----------------------------|

Other information/Remarks

Date: _____ Sign.: _____