

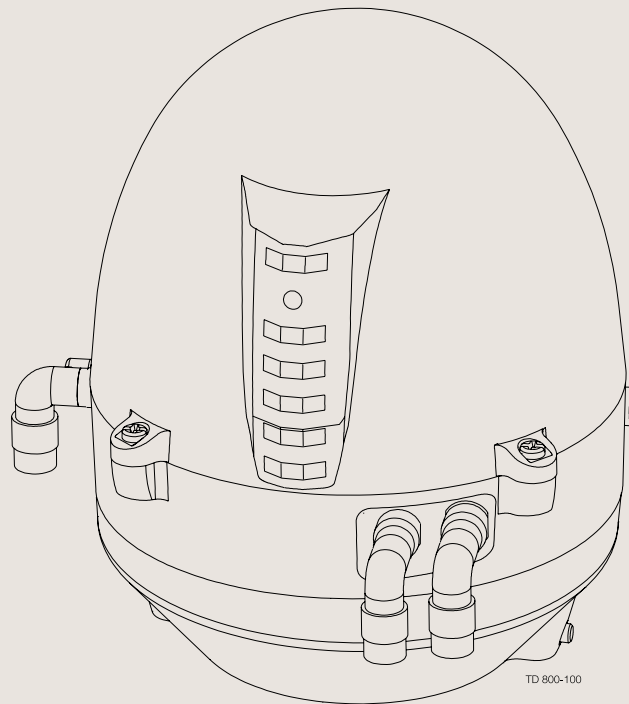


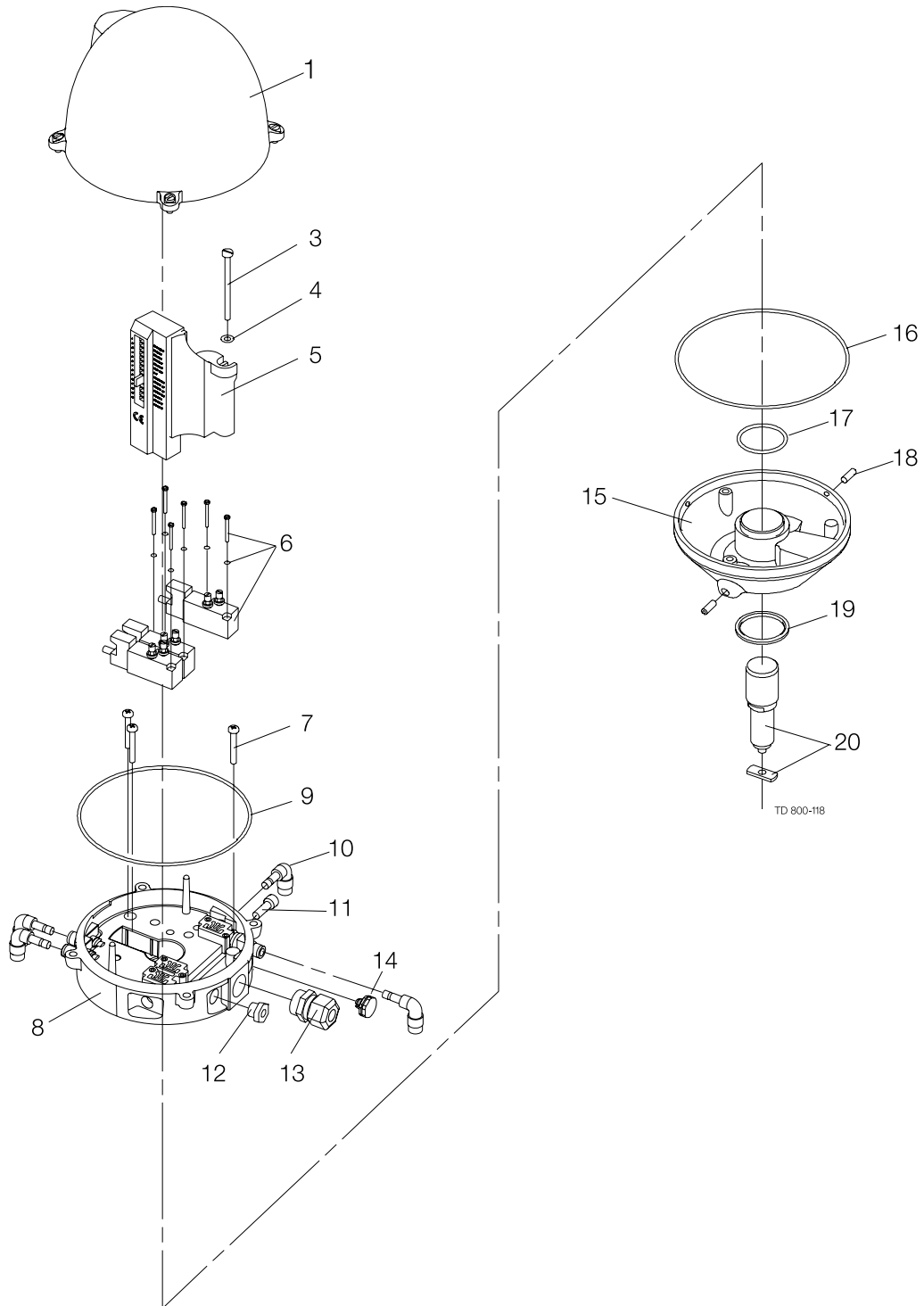
Spare Part

ThinkTop[®] Basic

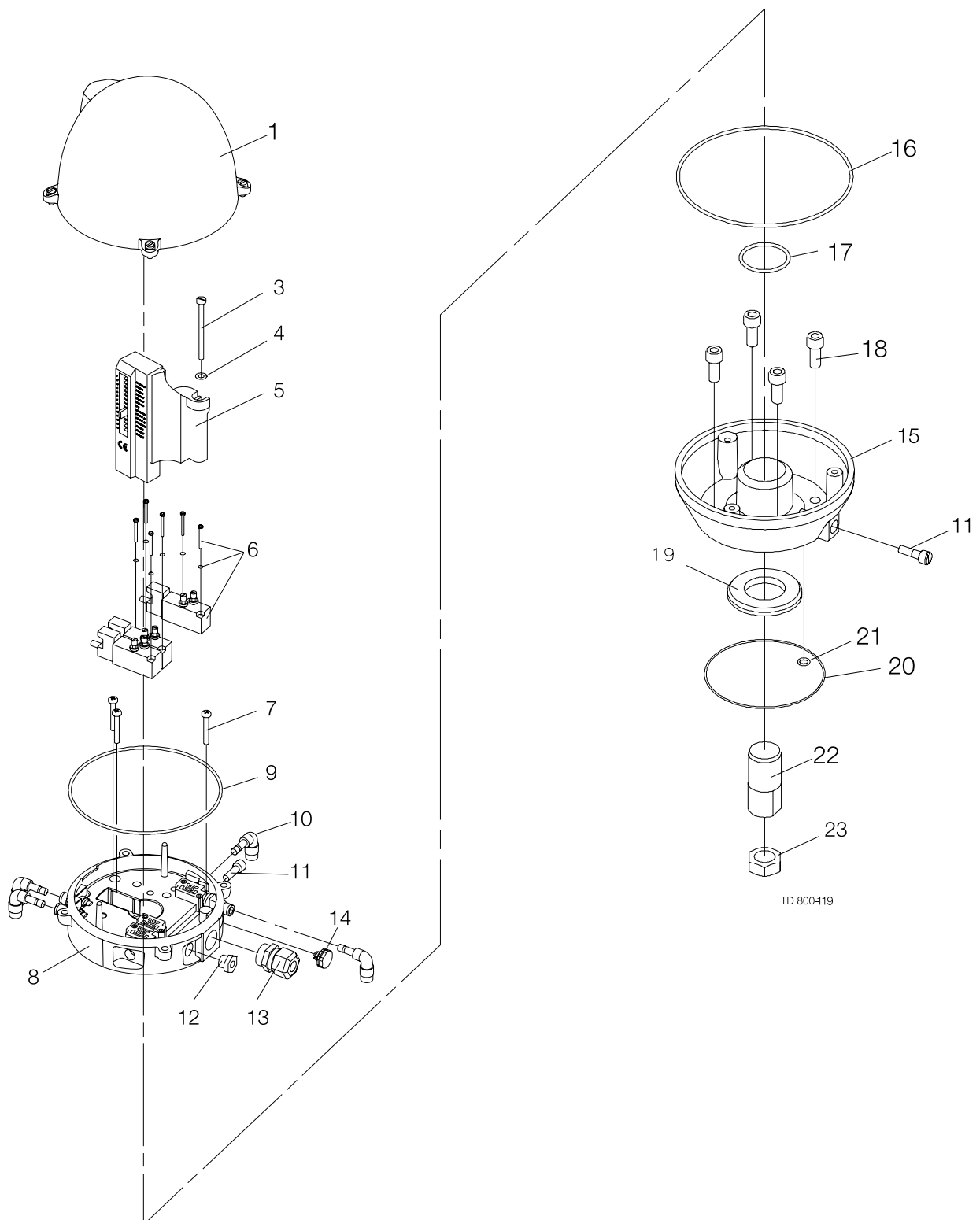
This sparepart covers the
instruction manuals ESE00225
and the

installation instructions
ESE00227, ESE00228





Pos.	Qty.	Denomination	SRC, SRC-LS, ARC SMP-BC, SMP-SC SF, <i>Unique Mixproof, Unique SSV</i> SMP-TO, LKB (LKLA-T), Koltek MH, AMP, SBV	Ø6 mm Air connection	1/4" Air connection
1	1	Shell complete.....	9613-4193-01		
3	1	Screw.....	9611-99-3458		
4	1	Washer.....	9611-99-3459		
5	1	Sensor unit Digital 10-30 VDC PNP/NPN	9613-4192-01		
6	1-3	Solenoid valve 3/2, 24 VDC.....	9611-99-4635		
	1	Solenoid valve 5/2, 24 VDC.....	9611-99-3327		
7	3	PT screw.....	9611-99-3457		
8	1	Base complete, no solenoids		9613-4197-01	9613-4196-01
		(Pos.9,12,13,14 included).....			
	1	Base complete, 3/2 24 VDC, one solenoid		9613-4197-02	9613-4196-02
		(Pos.9,10,11,12,13,14 included).....			
	1	Base complete, 3/2 24 VDC, two solenoids		9613-4197-04	9613-4196-04
		(Pos.9,10,11,12,13,14 included).....			
	1	Base complete, 3/2 24 VDC, three solenoids		9613-4197-05	9613-4196-05
		(Pos.9,10,11,12,13,14 included).....			
	1	Base complete, 5/2 24 VDC, one solenoid		9613-4197-03	9613-4196-03
		(Pos.9,10,11,12,13,14 included).....			
	1	Base prepared for no solenoids		9613-4195-01	9613-4194-01
	1	Base prepared for one 3/2 port solenoid		9613-4195-02	9613-4194-02
	1	Base prepared for two 3/2 port solenoids.....		9613-4195-04	9613-4194-04
	1	Base prepared for three 3/2 port solenoids.....		9613-4195-05	9613-4194-05
	1	Base prepared for one 5/2 port solenoid		9613-4195-03	9613-4194-03
	1	Base prepared for one 5/2 and one 3/2 port solenoid		9613-4195-06	9613-4194-06
	1	Base prepared for one 5/2 and two 3/2 port solenoids		9613-4195-07	9613-4194-07
9	1	X-ring	9612-9994-01		
10	1	Air fitting		9611-99-3405	9611-99-3433
11	1	Blow-off valve.....	9612-5636-03		
12	1	Thread plug, PG7	9611-99-3407		
13	1	Cable gland, PG11 4-10 mm.....	9611-99-3517		
14	1	Gore vent High airflow	9611-99-4722		
15	1	Adapter complete (Pos. 17,18,19 included).....	9612-5621-03		
	1	Adapter	9612-5622-03		
16	1	Special X-ring	9612-9994-01		
17	1	O-ring.....	9611-99-3350		
18	2	Allen screw	9611-99-3409		
19	1	Special X-ring	9612-5696-01		
20	1	Indication pin complete	9612-5623-01		
	1	Indication pin complete for Unique SSV LS.....	9613-1581-01		
	1	Indication pin complete for SRC-LS: Only stop valves size 63.5-101.6mm/DN65-100	9612-6370-01		



TD 800-119

Pos.	Qty.	Denomination	1/4" Air connection
1	1	Shell complete.....	9613-4193-01
3	1	Screw.....	9611-99-3458
4	1	Washer.....	9611-99-3459
5	1	Sensor unit Digital 10-30 VDC PNP/NPN	9613-4192-01
6	1-3	Solenoid valve 3/2, 24 VDC.....	9611-99-4635
	1	Solenoid valve 5/2, 24 VDC.....	9611-99-3327
7	3	PT screw.....	9611-99-3457
8	1	Base complete, no solenoids	9613-4196-01 (Pos.9,12,13,14 included)
	1	Base complete, 3/2 24 VDC, one solenoid	9613-4196-02 (Pos.9,10,11,12,13,14 included)
	1	Base complete, 3/2 24 VDC, two solenoids	9613-4196-04 (Pos.9,10,11,12,13,14 included)
	1	Base complete, 3/2 24 VDC, three solenoids	9613-4196-05 (Pos.9,10,11,12,13,14 included)
	1	Base complete, 5/2 24 VDC, one solenoid	9613-4196-03 (Pos.9,10,11,12,13,14 included)
	1	Base prepared for no solenoids.....	9613-4194-01
	1	Base prepared for one 3/2 port solenoid	9613-4194-02
	1	Base prepared for two 3/2 port solenoids.....	9613-4194-04
	1	Base prepared for three 3/2 port solenoids.....	9613-4194-05
	1	Base prepared for one 5/2 port solenoid	9613-4194-03
	1	Base prepared for one 5/2 and one 3/2 port solenoid	9613-4194-06
	1	Base prepared for one 5/2 and two 3/2 port solenoids.....	9613-4194-07
9	1	Special X-ring.....	9612-9994-01
10	1	Air fitting	9611-99-3433
11	2	Blow-off valve.....	9612-5636-03
12	1	Thread plug, PG7	9611-99-3407
13	1	Cable gland, PG11 4-10 mm.....	9611-99-3517
14	1	Gore vent high airflow.....	9611-99-4722
15	1	Adapter complete (pos. 11, 16, 17 included)	9612-6358-03
16	1	Special X-ring	9612-9994-01
17	1	O-ring.....	9611-99-3350
18	4	Screw.....	9611-99-3763
19	1	Retainer.....	9611-99-4203
20	1	O-ring.....	9611-99-3689
21	1	O-ring.....	9611-99-3690
22	1	Indicator pin	9612-6357-02
23	1	Nut.....	9611-99-3764

How to contact Alfa Laval

Contact details for all countries are continually updated on our website. Please visit www.alfalaval.com to access the information direct.