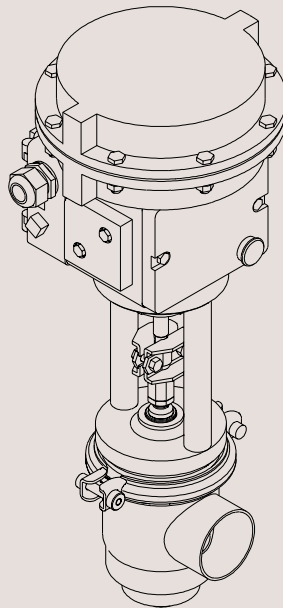




## Spare Parts

### SPC-2 Sanitary Electro-Pneumatic Modulating Valve

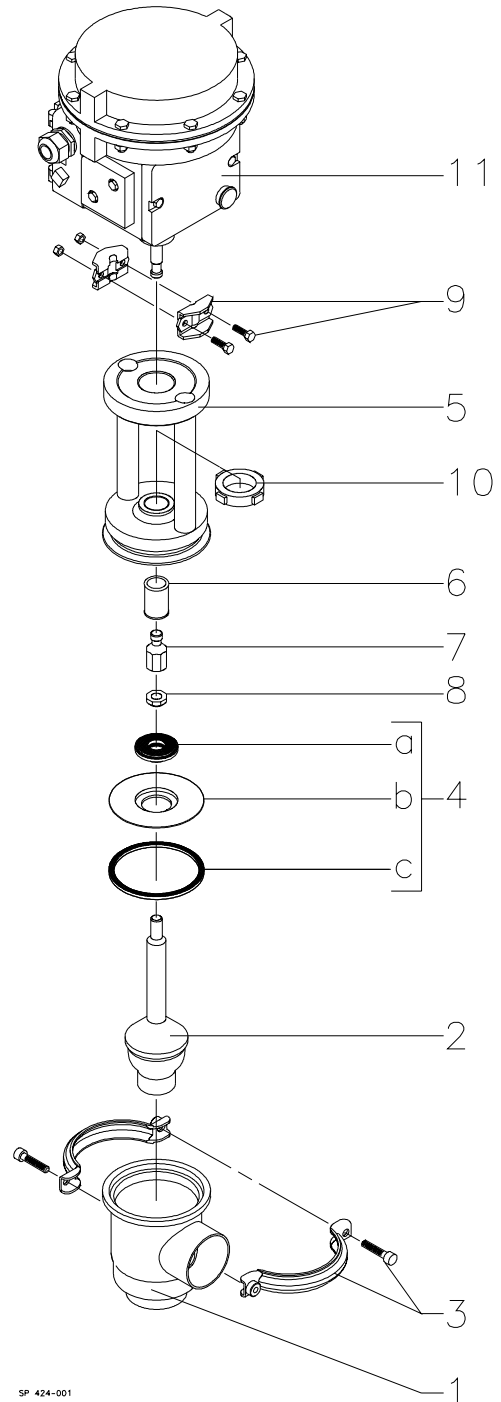


TD 424-044

# Sanitary Electro-Pneumatic Modulating Valve Type SPC-2 (Samson actuator, beige colour)

2

Parts for FEP seal



SP 424-001

## Sanitary Electro-Pneumatic Modulating Valve Type SPC-2 (Samson actuator, beige colour)

3

Pos.	Qty.	Denomination	38 mm NW40	51 mm NW50	63.5 mm NW65	76 mm NW80	101.6 mm NW100
1	1	Valve body, ... Kv 0.5 ..... ISO .....	9612-1155-01				
	1	Valve body, ... Kv 0.5 ..... DIN .....	9612-1180-01				
	1	Valve body, ... Kv 1 ..... ISO .....	9612-1155-02				
	1	Valve body, ... Kv 1 ..... DIN .....	9612-1180-02				
	1	Valve body, ... Kv 2 ..... ISO .....	9612-1155-03				
	1	Valve body, ... Kv 2 ..... DIN .....	9612-1180-03				
	1	Valve body, ... Kv 4 ..... ISO .....	9612-1155-04				
	1	Valve body, ... Kv 4 ..... DIN .....	9612-1180-04				
	1	Valve body, ... Kv 8 ..... ISO .....	9612-1155-05				
	1	Valve body, ... Kv 8 ..... DIN .....	9612-1180-05				
	1	Valve body, ... Kv 16 ..... ISO .....	9612-1155-06				
	1	Valve body, ... Kv 16 ..... DIN .....	9612-1180-06				
	1	Valve body, ... Kv 32 ..... ISO .....		9612-1156-01			
	1	Valve body, ... Kv 32 ..... DIN .....		9612-1181-01			
	1	Valve body, ... Kv 64 ..... ISO .....			9612-1157-01		
	1	Valve body, ... Kv 64 ..... DIN .....			9612-1182-01		
	1	Valve body, ... Kv 72 ..... ISO .....				9612-1158-01	
	1	Valve body, ... Kv 72 ..... DIN .....				9612-1183-01	
	1	Valve body, ... Kv 101 ..... ISO .....					9612-1159-01
	1	Valve body, ... Kv 101 ..... DIN .....					9612-1184-01
2	1	Plug, ..... Kv 0.5 ..... ISO .....	9612-5282-01				
	1	Plug, ..... Kv 0.5 ..... DIN .....	9612-5282-01				
	1	Plug, ..... Kv 1 ..... ISO .....	9612-5283-01				
	1	Plug, ..... Kv 1 ..... DIN .....	9612-5283-01				
	1	Plug, ..... Kv 2 ..... ISO .....	9612-5284-01				
	1	Plug, ..... Kv 2 ..... DIN .....	9612-5284-01				
	1	Plug, ..... Kv 4 ..... ISO .....	9612-5285-01				
	1	Plug, ..... Kv 4 ..... DIN .....	9612-5285-01				
	1	Plug, ..... Kv 8 ..... ISO .....	9612-5286-01				
	1	Plug, ..... Kv 8 ..... DIN .....	9612-5286-01				
	1	Plug, ..... Kv 16 ..... DIN .....	9612-5287-01				
	1	Plug, ..... Kv 32 ..... ISO .....		9612-5288-01			
	1	Plug, ..... Kv 32 ..... DIN .....		9612-5288-01			
	1	Plug, ..... Kv 64 ..... ISO .....			9612-5289-01		
	1	Plug, ..... Kv 64 ..... DIN .....			9612-5289-01		
	1	Plug, ..... Kv 72 ..... ISO .....				9612-5289-01	
	1	Plug, ..... Kv 72 ..... DIN .....				9612-5289-02	
	1	Plug, ..... Kv 110 ..... ISO .....					9612-5290-01
	1	Plug, ..... Kv 110 ..... DIN .....					9612-5290-01

## Sanitary Electro-Pneumatic Modulating Valve Type SPC-2 (Samson actuator, beige colour)

(Same drawing as on page 2)

4

**Parts for FEP seal**

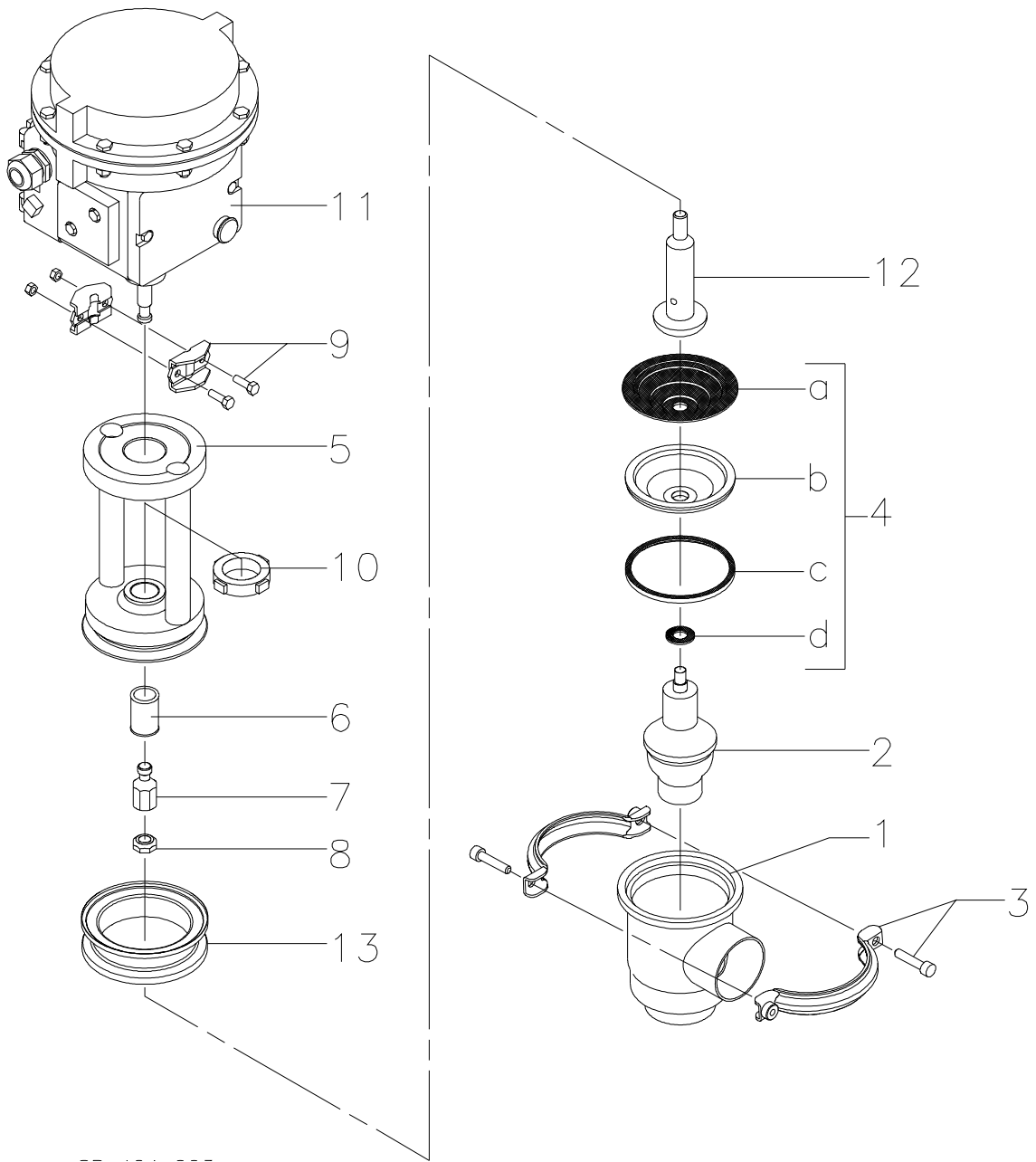
## Sanitary Electro-Pneumatic Modulating Valve Type SPC-2 (Samson actuator, beige colour)

Pos.	Qty.	Denomination	38-51 mm NW40-50	63.5-76 mm NW65-80	101.6 mm NW100
3	1	Clamp complete .....	31320-0027-3	31320-0027-5	31320-0027-5
4	1	Lip seal kit, EPDM (standard) .....	9611-92-0078	9611-92-0142	9611-92-0142
	1	Lip seal kit, NBR .....	9611-92-0079	9611-92-0143	9611-92-0143
	1	Lip seal kit, FPM .....	9611-92-0080	9611-92-0144	9611-92-0144
	1	Lip seal kit, PTFE .....	9611-92-0445	9611-92-0446	9611-92-0446
aΔ	1	Lip seal, EPDM .....	9612-2806-01	9612-3088-01	9612-3088-01
	1	Lip seal, NBR .....	9612-2806-02	9612-3088-02	9612-3088-02
	1	Lip seal, FPM .....	9612-2806-03	9612-3088-03	9612-3088-03
b	1	Plate .....	9612-2805-01	9612-3087-01	9612-3087-01
	1	Plate for FEP seal .....	31353-0453-1	31353-0454-1	31353-0454-1
cΔ	1	Seal ring, EPDM .....	31353-0128-1	31353-0205-1	31353-0205-1
	1	Seal ring, NBR .....	31353-0128-2	31353-0205-2	31353-0205-2
	1	Seal ring, FPM .....	31353-0128-3	31353-0205-3	31353-0205-3
	1	Seal ring, PTFE .....	31353-0451-1	31353-0451-2	31353-0451-2
d	1	Washer .....	31353-0452-1	31353-0452-2	31353-0452-2
eΔ	1	O-ring .....	9611-99-2909	9611-99-2910	9611-99-2910
5	1	Bonnet complete .....	9612-5331-01	9612-5331-02	9612-5331-02
6Δ	1	Guide ring .....	9612-3586-01	9612-3586-04	9612-3586-04
7	1	Valve plug adjuster .....	9612-5340-01	9612-5340-01	9612-5340-01
8	1	Lock nut .....	9612-5341-01	9612-5341-01	9612-5341-01
9	1	Clamp fitting .....	9612-5342-01	9612-5342-01	9612-5342-01
10	1	Striking nut .....	9612-5339-01	9612-5339-01	9612-5339-01
11	1	Actuator complete NO .....	9612-5336-01	9612-5336-01	9612-5336-01
	1	Actuator complete NC .....	9612-5336-02	9612-5336-02	9612-5336-03
Δ		<b>Service kit EPDM .....</b>	<b>9611-92-0419</b>	<b>9611-92-0423</b>	<b>9611-92-0423</b>
Δ		<b>Service kit NBR .....</b>	<b>9611-92-0420</b>	<b>9611-92-0424</b>	<b>9611-92-0424</b>
Δ		<b>Service kit FPM .....</b>	<b>9611-92-0421</b>	<b>9611-92-0425</b>	<b>9611-92-0425</b>
Δ		<b>Service kit PTFE .....</b>	<b>9611-92-0422</b>	<b>9611-92-0426</b>	<b>9611-92-0426</b>

Parts marked with Δ are included in the **Service kits**.

# Sanitary Electro-Pneumatic Modulating Valve Type SPC-2 with ARC plug

6



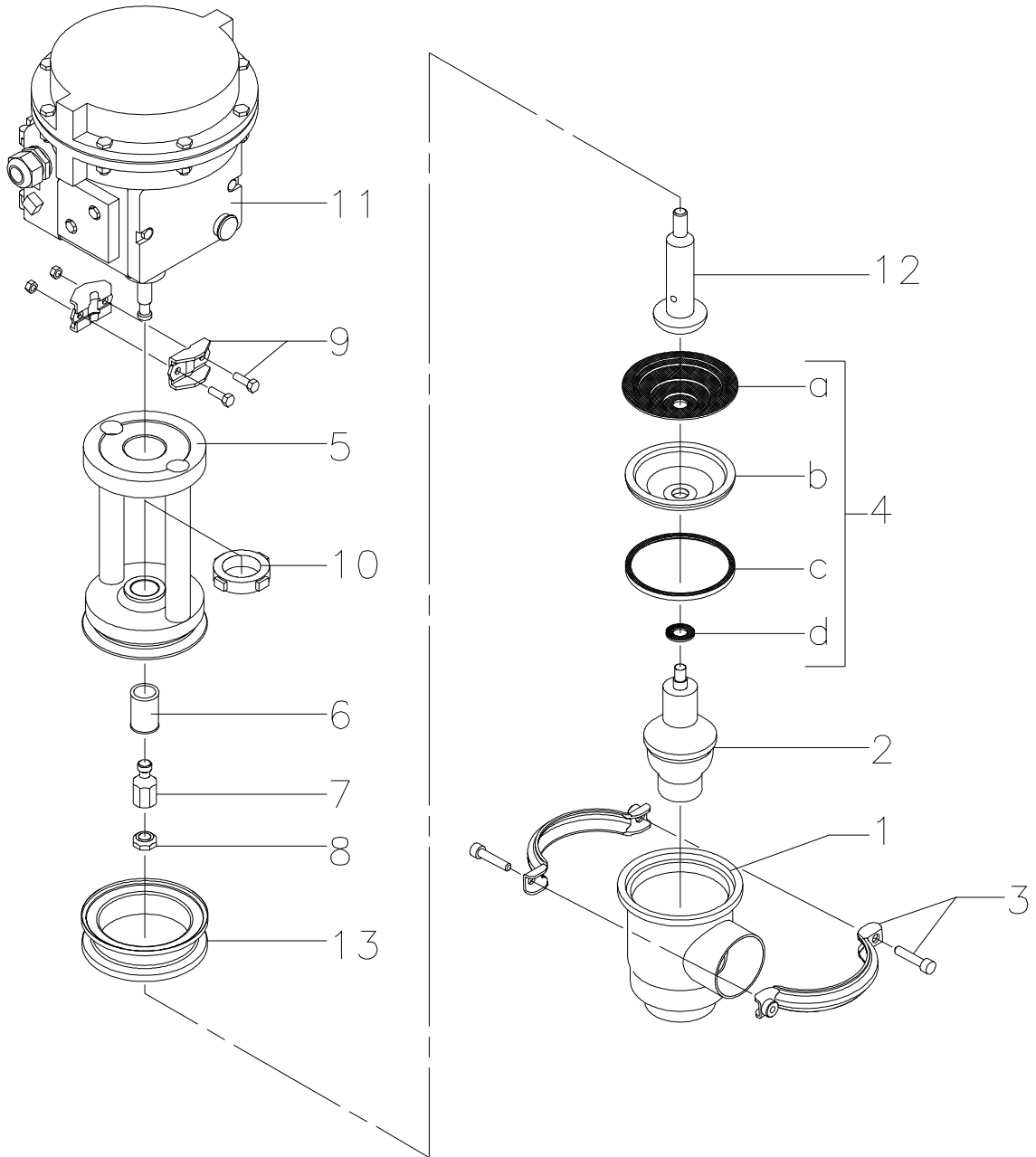
# Sanitary Electro-Pneumatic Modulating Valve Type SPC-2 with ARC plug

Pos.	Qty.	Denomination	38 mm NW40	51 mm NW50	63.5 mm NW65	76 mm NW80	101.6 mm NW100
1	1	Valve body,.. Kv 0.5 ..... ISO ....	9612-1155-01				
	1	Valve body,.. Kv 0.5 ..... DIN ....	9612-1180-01				
	1	Valve body,.. Kv 1 ..... ISO ....	9612-1155-02				
	1	Valve body,.. Kv 1 ..... DIN ....	9612-1180-02				
	1	Valve body,.. Kv 2 ..... ISO ....	9612-1155-03				
	1	Valve body,.. Kv 2 ..... DIN ....	9612-1180-03				
	1	Valve body,.. Kv 4 ..... ISO ....	9612-1155-04				
	1	Valve body,.. Kv 4 ..... DIN ....	9612-1180-04				
	1	Valve body,.. Kv 8 ..... ISO ....	9612-1155-05				
	1	Valve body,.. Kv 8 ..... DIN ....	9612-1180-05				
	1	Valve body,.. Kv 16 ..... ISO ....	9612-1155-06				
	1	Valve body,.. Kv 16 ..... DIN ....	9612-1180-06				
	1	Valve body,.. Kv 32 ..... ISO ....		9612-1156-01			
	1	Valve body,.. Kv 32 ..... DIN ....		9612-1181-01			
	1	Valve body,.. Kv 64 ..... ISO ....			9612-1157-01		
	1	Valve body,.. Kv 64 ..... DIN ....			9612-1182-01		
	1	Valve body,.. Kv 72 ..... ISO ....				9612-1158-01	
	1	Valve body,.. Kv 72 ..... DIN ....				9612-1183-01	
	1	Valve body,.. Kv 101 ..... ISO ....					9612-1159-01
	1	Valve body,.. Kv 101 ..... DIN ....					9612-1184-01
2	1	Plug, ..... Kv 0.5 ..... ISO ....	9612-1187-01				
	1	Plug, ..... Kv 0.5 ..... DIN ....	9612-1187-01				
	1	Plug, ..... Kv 1 ..... ISO ....	9612-1188-01				
	1	Plug, ..... Kv 1 ..... DIN ....	9612-1188-01				
	1	Plug, ..... Kv 2 ..... ISO ....	9612-1189-01				
	1	Plug, ..... Kv 2 ..... DIN ....	9612-1189-01				
	1	Plug, ..... Kv 4 ..... ISO ....	9612-1190-01				
	1	Plug, ..... Kv 4 ..... DIN ....	9612-1190-01				
	1	Plug, ..... Kv 8 ..... ISO ....	9612-1191-01				
	1	Plug, ..... Kv 8 ..... DIN ....	9612-1191-01				
	1	Plug, ..... Kv 16 ..... ISO ....	9612-1192-01				
	1	Plug, ..... Kv 16 ..... DIN ....	9612-1192-01				
	1	Plug, ..... Kv 32 ..... ISO ....		9612-1194-01			
	1	Plug, ..... Kv 32 ..... DIN ....		9612-1194-01			
	1	Plug, ..... Kv 64 ..... ISO ....			9612-1196-01		
	1	Plug, ..... Kv 64 ..... DIN ....			9612-1196-01		
	1	Plug, ..... Kv 72 ..... ISO ....				9612-1196-01	
	1	Plug, ..... Kv 72 ..... DIN ....				9612-1196-02	
	1	Plug, ..... Kv 110 ..... ISO ....					9612-1198-01
	1	Plug, ..... Kv 110 ..... DIN ....					9612-1198-01

# Sanitary Electro-Pneumatic Modulating Valve Type SPC-2 with ARC plug

8

(Same drawing as on page 6)





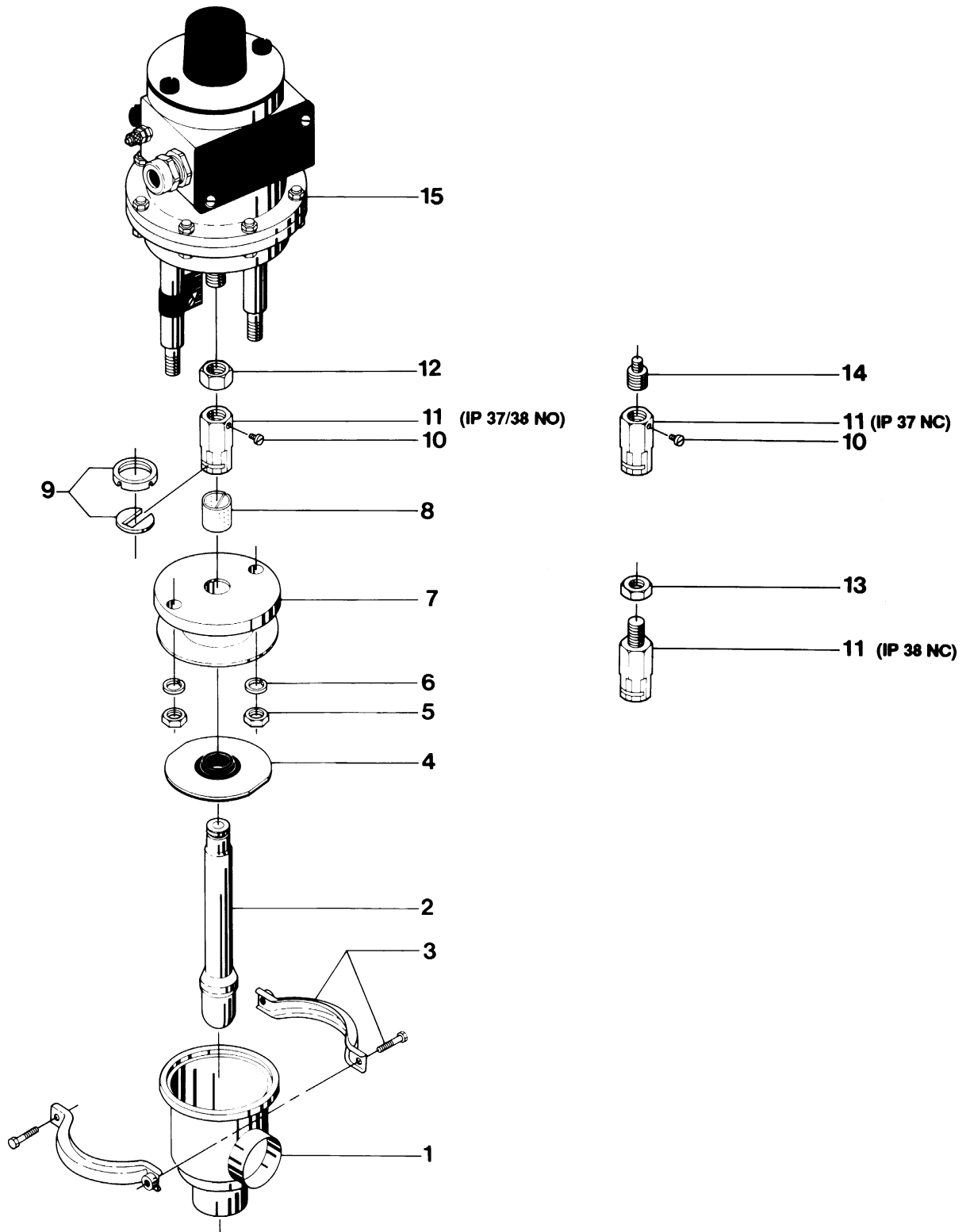
## Sanitary Electro-Pneumatic Modulating Valve Type SPC-2 with ARC plug

Pos.	Qty.	Denomination	NW40/50	NW65/80	NW 100
			38/51 mm	63.5/76 mm	101.6 mm
3	1	Clamp complete .....	31320-0027-3	31320-0027-5	31320-0027-5
4	1	Diaphragm set PTFE, EPDM .....	9611-92-0001	9611-92-0001	9611-92-0007
		(complete replacement recommended)			
	1	Diaphragm set NBR .....	9611-92-0081	9611-92-0083	9611-92-0083
	1	Diaphragm set FPM .....	9611-92-0082	9611-92-0084	9611-92-0084
aΔ	1	Diaphragm support, EPDM .....	31353-0816-1	31353-0816-2	31353-0816-2
bΔ	1	Diaphragm PTFE .....	31353-0820-1	31353-0820-2	31353-0820-2
cΔ	1	L-seal, EPDM (standard) .....	31353-0817-1	31353-0817-1	31353-0817-1
	1	L-seal, NBR .....	31353-0817-2	31353-0817-2	31353-0817-2
	1	L-seal, FPM .....	31353-0817-3	31353-0817-3	31353-0817-3
dΔ	1	Stem seal, EPDM (standard) .....	31353-0818-1	31353-0818-2	31353-0818-2
	1	Stem seal, NBR .....	31353-0818-3	31353-0818-4	31353-0818-4
	1	Stem seal, FPM .....	31353-0818-5	31353-0818-6	31353-0818-6
5	1	Bonnet complete .....	9612-5331-01	9612-5331-02	9612-5331-02
6Δ	1	Guide ring .....	9612-3886-01	9612-3886-04	9612-3886-04
7	1	Valve plug adjuster .....	9612-5340-01	9612-5340-01	9612-5340-01
8	1	Lock nut .....	9612-5341-01	9612-5341-01	9612-5341-01
9	1	Clamp fitting .....	9612-5342-01	9612-5342-01	9612-5342-01
10	1	Striking nut .....	9612-5339-01	9612-5339-01	9612-5339-01
11	1	Actuator complete NO .....	9612-5336-01	9612-5336-01	9612-5336-01
	1	Actuator complete NC .....	9612-5336-02	9612-5336-02	9612-5336-03
12	1	Stem, upper .....	9612-5274-01	9612-5275-01	9612-5275-01
13	1	Intermediate piece .....	31353-0813-3	31353-0840-3	31353-0840-3
Δ		<b>Service kit EPDM .....</b>	<b>9611-92-0427</b>	<b>9611-92-0433</b>	<b>9611-92-0433</b>
Δ		<b>Service kit NBR .....</b>	<b>9611-92-0428</b>	<b>9611-92-0434</b>	<b>9611-92-0434</b>
Δ		<b>Service kit FPM .....</b>	<b>9611-92-0429</b>	<b>9611-92-0435</b>	<b>9611-92-0435</b>

Parts marked with Δ are included in the **Service kits**.

# Sanitary Electro-Pneumatic Modulating Valve (Kämmer actuator, yellow colour)

10



Not manufactured anymore

# Sanitary Electro-Pneumatic Modulating Valve Type SPC-2 (Kämmer actuator, yellow colour)

Pos.	Qty.	Denomination	38 mm NW40	51 mm NW50	63.5 mm NW65
1	1	Valve body ..... Kv 0.5 ..... ISO	9612-1155-01		
	1	Valve body ..... Kv 0.5 ..... DIN	9612-1180-01		
	1	Valve body ..... Kv 1 ..... ISO	9612-1155-02		
	1	Valve body ..... Kv 1 ..... DIN	9612-1180-02		
	1	Valve body ..... Kv 2 ..... ISO	9612-1155-03		
	1	Valve body ..... Kv 2 ..... DIN	9612-1180-03		
	1	Valve body ..... Kv 4 ..... ISO	9612-1155-04		
	1	Valve body ..... Kv 4 ..... DIN	9612-1180-04		
	1	Valve body ..... Kv 8 ..... ISO	9612-1155-05		
	1	Valve body ..... Kv 8 ..... DIN	9612-1180-05		
	1	Valve body ..... Kv 16 ..... ISO	9612-1155-06		
	1	Valve body ..... Kv 16 ..... DIN	9612-1180-06		
	1	Valve body ..... Kv 32 ..... ISO		9612-1156-01	
	1	Valve body ..... Kv 32 ..... DIN		9612-1181-01	
	1	Valve body ..... Kv 64L ..... ISO			9612-1157-01
	1	Valve body ..... Kv 64L ..... DIN			9612-1182-01
	1	Valve body ..... Kv 75L ..... ISO			
	1	Valve body ..... Kv 75L ..... DIN			
	1	Valve body ..... Kv 110L ..... ISO			
	1	Valve body ..... Kv 110L ..... DIN			
2	1	Plug ..... Kv 0.5 ..... ISO	9612-1144-01		
	1	Plug ..... Kv 1 ..... ISO	9612-1144-02		
	1	Plug ..... Kv 2 ..... ISO	9612-1144-03		
	1	Plug ..... Kv 4 ..... ISO	9612-1144-04		
	1	Plug ..... Kv 8 ..... ISO	9612-1144-05		
	1	Plug ..... Kv 16 ..... ISO	9612-1144-06		
	1	Plug ..... Kv 32 ..... ISO	9612-1144-08		
	1	Plug ..... Kv 64L ..... ISO		9612-1144-10	
	1	Plug ..... Kv 75L (76 mm) ..... ISO			
	1	Plug ..... Kv 75L (NW 80) ..... ISO			
	1	Plug ..... Kv 110L ..... ISO			
3	1	Clamp complete	9611-31-105-4	9611-31-105-4	9611-31-105-5
4D	1	Lip seal, EPDM (standard)	31353-0155-1	31353-0155-1	31353-0188-1
	1	Lip seal, NBR	31353-0155-2	31353-0155-2	31353-0188-2
	1	Lip seal, FPM	31353-0155-3	31353-0155-3	31353-0188-3
5	2	Nut ..... IP 37	9611-99-0360	9611-99-0360	
	3	Nut ..... IP 38			9611-99-0353
6	2	Spring washer ..... IP 37	9611-99-1888	9611-99-1888	
	2	Spring washer ..... IP 38			9611-99-1887
7	1	Bonnet	9612-1154-01	9612-1154-01	9612-1145-01
8D	1	Guide ring	9611-99-2510	9611-99-2510	9611-99-2528
9	1	Clip assembly	31353-0793-1	31353-0793-1	31353-0793-1
10	1	Lock screw	9611-99-2527	9611-99-2527	9611-99-2527
11	1	Adjustment piece ..... IP 37 ..... NC	9612-1151-01	9612-1151-01	
	1	Adjustment piece ..... IP 37 ..... NO	9612-1152-01	9612-1152-01	
	1	Adjustment piece ..... IP 38 ..... NC			9612-1153-01
	1	Adjustment piece ..... IP 38 ..... NO			9612-1151-01
12	1	Nut ..... IP 38 ..... NO			990092-01
13	1	Nut ..... IP 38 ..... NC			9611-99-1182
14	1	Adaptor ..... IP 37 ..... NC	9612-1146-01	9612-1146-01	
15	1	Actuator ..... (Std.) ..... NO	9612-1103-01	9612-1103-01	9612-1103-03
	1	Actuator (Kv 0.5-8 for 38 mm) ... (Std.) ..... NC	9612-1103-02		9612-1103-04
	1	Actuator (Kv 16-32) ..... (Std.) ..... NC	9612-1103-07	9612-1103-07	
D		<b>Service kit EPDM</b>	<b>9611-92-0121</b>	<b>9611-92-0121</b>	<b>9611-92-0122</b>
D		<b>Service kit NBR</b>	<b>9611-92-0123</b>	<b>9611-92-0123</b>	<b>9611-92-0124</b>
D		<b>Service kit FPM</b>	<b>9611-92-0125</b>	<b>9611-92-0125</b>	<b>9611-92-0126</b>

Parts marked with Δ are included in the **Service kits**.

Recommended Spare Parts: **Service kits**

Not manufactured anymore

# Sanitary Electro-Pneumatic Modulating Valve (Kämmer actuator, yellow colour)

12



Not manufactured anymore

# Sanitary Electro-Pneumatic Modulating Valve Type SPC-2 (Kämmer actuator, yellow colour)

Pos.	Qty.	Denomination	76 mm NW80	101.6 mm NW100
1	1	Valve body.....Kv 0.5.....ISO.....		
	1	Valve body.....Kv 0.5.....DIN.....		
	1	Valve body.....Kv 1.....ISO.....		
	1	Valve body.....Kv 1.....DIN.....		
	1	Valve body.....Kv 2.....ISO.....		
	1	Valve body.....Kv 2.....DIN.....		
	1	Valve body.....Kv 4.....ISO.....		
	1	Valve body.....Kv 4.....DIN.....		
	1	Valve body.....Kv 8.....ISO.....		
	1	Valve body.....Kv 8.....DIN.....		
	1	Valve body.....Kv 16.....ISO.....		
	1	Valve body.....Kv 16.....DIN.....		
	1	Valve body.....Kv 32.....ISO.....		
	1	Valve body.....Kv 32.....DIN.....		
	1	Valve body.....Kv 64L.....ISO.....		
	1	Valve body.....Kv 64L.....DIN.....		
	1	Valve body.....Kv 75L.....ISO.....	9612-1158-04	
	1	Valve body.....Kv 75L.....DIN.....	9612-1183-02	
	1	Valve body.....Kv 110L.....ISO.....		9612-1159-04
	1	Valve body.....Kv 110L.....DIN.....		9612-1184-02
2	1	Plug.....Kv 0.5.....		
	1	Plug.....Kv 1.....		
	1	Plug.....Kv 2.....		
	1	Plug.....Kv 4.....		
	1	Plug.....Kv 8.....		
	1	Plug.....Kv 16.....		
	1	Plug.....Kv 32.....		
	1	Plug.....Kv 64L.....		
	1	Plug.....Kv 75L (76 mm).....	9612-1144-10	
	1	Plug.....Kv 75L (NW 80).....	9612-1144-17	
	1	Plug.....Kv 110L.....		9612-1144-16
3	1	Clamp complete.....	9611-31-105-5	9611-31-105-5
4Δ	1	Lip seal, EPDM (standard).....	31353-0188-1	31353-0188-1
	1	Lip seal, NBR.....	31353-0188-2	31353-0188-2
	1	Lip seal, FPM.....	31353-0188-3	31353-0188-3
5	2	Nut.....IP 37.....		
	3	Nut.....IP 38.....	9611-99-0353	9611-99-0353
6	2	Spring washer.....IP 37.....		
	2	Spring washer.....IP 38.....	9611-99-1887	9611-99-1887
7	1	Bonnet.....	9612-1145-01	9612-1145-01
8D	1	Guide ring.....	9611-99-2528	9611-99-2528
9	1	Clip assembly.....	31353-0793-1	31353-0793-1
10	1	Lock screw.....	9611-99-2527	9611-99-2527
11	1	Adjustment piece.....IP 37.....NC.....		
	1	Adjustment piece.....IP 37.....NO.....		
	1	Adjustment piece.....IP 38.....NC.....	9612-1153-01	9612-1153-01
	1	Adjustment piece.....IP 38.....NO.....	9612-1151-01	9612-1151-01
12	1	Nut.....IP 38.....NO.....	990092-01	990092-01
13	1	Nut.....IP 38.....NC.....	9611-99-1182	9611-99-1182
14	1	Adaptor.....IP 37.....NC.....		
15	1	Actuator.....(Std.).....NO.....	9612-1103-03	9612-1103-03
	1	Actuator (Kv 0.5-8 for 38 mm) ... (Std.).....NC.....	9612-1103-04	9612-1103-08
	1	Actuator (Kv 16-32).....(Std.).....NC.....		
Δ		<b>Service kit EPDM.....</b>	<b>9611-92-0122</b>	<b>9611-92-0122</b>
Δ		<b>Service kit NBR.....</b>	<b>9611-92-0124</b>	<b>9611-92-0124</b>
Δ		<b>Service kit FPM.....</b>	<b>9611-92-0126</b>	<b>9611-92-0126</b>

Parts marked with Δ are included in the **Service kits**.

Recommended Spare Parts: **Service kits**

Not manufactured anymore

*The information contained herein is correct at the time of issue but may be subject to change without prior notice.*

**How to contact Alfa Laval**

Contact details for all countries are continually updated on our website. Please visit [www.alfalaval.com](http://www.alfalaval.com) to access the information direct.