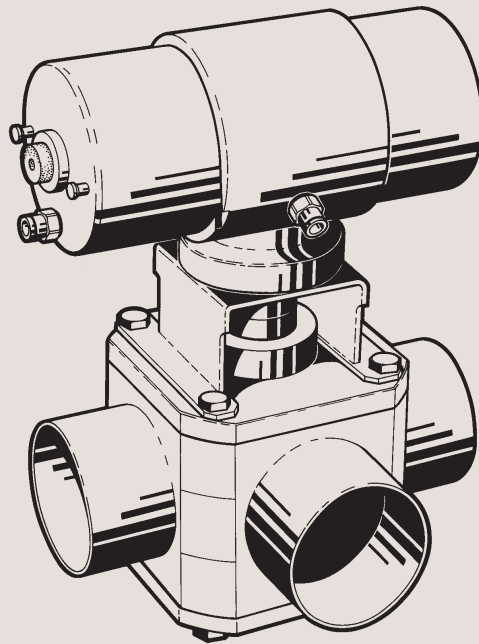




Spare Parts

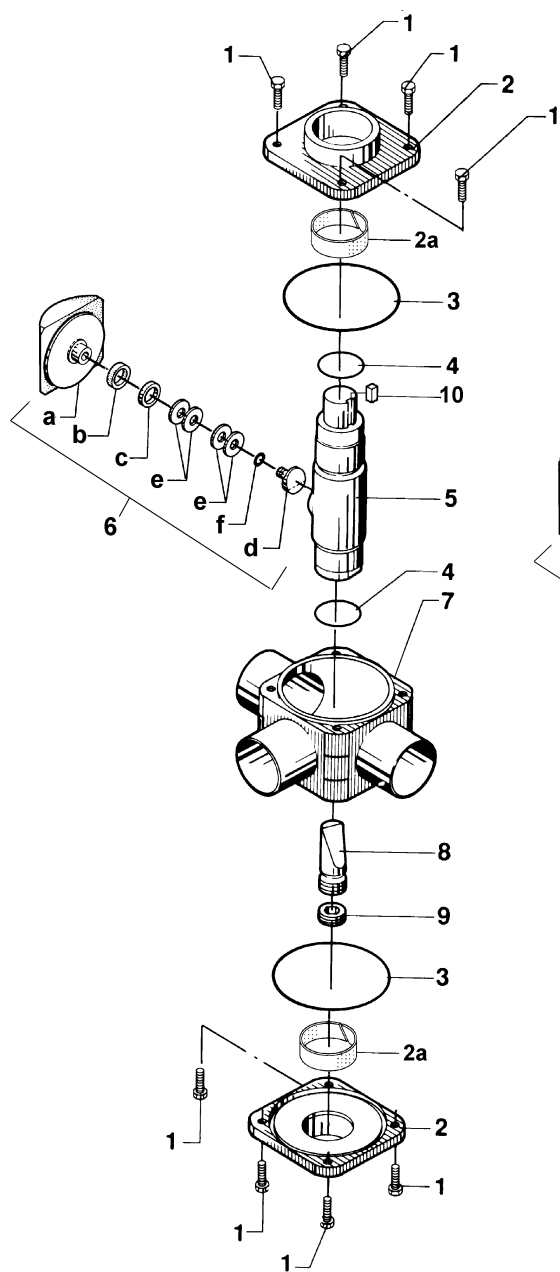
MH Koltek Valve



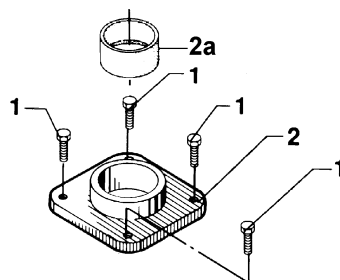
SP70735-GB5 2002-11

Koltek Valve type MH, MHI and MHE

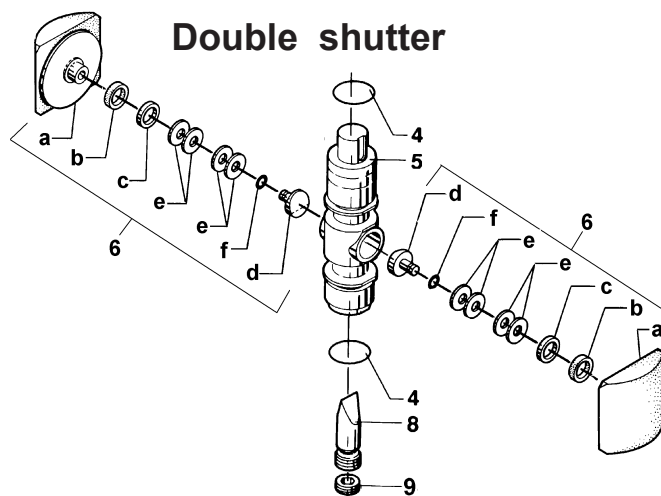
2



Bearing and lid for bearing



Double shutter



Koltek Valve type MH, MHI and MHE

TypeMH	Pos.	Qty.	Denomination	25 mm NW25	38 mm NW40	51 mm NW50	63.5 mm	76 mm NW65	NW80	101.6 mm NW100
1	8		Screw	9611-99-3351	9611-99-3351	9611-99-0456	9611-99-0456	9611-99-1910		
	16		Screw						9611-99-1910	9611-99-1910
2	2		Lid for guide ring (standard)	9612-5111-01	9612-5112-01	9612-5113-02	9612-5114-02	9612-5115-02	9612-5134-02	9612-5135-02
	2		Lid for bearing ("Old type")	9612-3951-02	9612-3952-02	9612-3949-02	9612-3953-02	9612-3954-02	9612-3955-02	9612-3956-02
2a	2		Guide ring (standard)	9612-5116-01	9612-5116-02	9612-5116-03	9612-5116-04	9612-5116-04	9612-5116-05	9612-5116-05
	2		Bearing, bronze (for "old lid")	9612-3950-01	9612-3950-02	9612-3950-03	9612-3950-04	9612-3950-05	9612-3950-06	9612-3950-06
	2		Bearing, PTFE (for "old lid")	9612-3957-01	9612-3957-02	9612-3957-03	9612-3957-04	9612-3957-05	9612-3957-06	9612-3957-06
3Δ	2		O-ring, EPDM (standard)	9611-99-2226	9611-99-2243	9611-99-2237	9611-99-2240	9611-99-1137	9611-99-2245	9611-99-2248
	2		O-ring, NBR	9611-99-2225	9611-99-2242	9611-99-2236	9611-99-2239	9611-99-2228	223406-85	9611-99-2247
	2		O-ring, FPM	9611-99-2227	9611-99-2244	9611-99-2238	9611-99-2241	9611-99-2229	9611-99-2246	9611-99-2249
4Δ	2		O-ring, EPDM (standard)	9611-99-2250	9611-99-2252	9611-99-2255	9611-99-2255	9611-99-2255	260104-34	260104-34
	2		O-ring, NBR	9611-99-3439	9611-99-3440	9611-99-2254	9611-99-2254	9611-99-2254	9611-99-0076	9611-99-0076
	2		O-ring, FPM	9611-99-1488	9611-99-2253	9611-99-2256	9611-99-2256	9611-99-2256	9611-99-3442	9611-99-3442
5	1		Shaft, AISI 316L	9612-2627-01	9612-2628-01	9612-2629-01	9612-2630-01	9612-2631-01	9612-2632-01	9612-2633-01
6	1		Shutter unit, PTFE/316L (std)	9612-2641-02	9612-2642-02	9612-2643-02	9612-2644-02	9612-2645-02	9612-2646-02	9612-2729-02
	1		Shutter unit, Flourosint/316L	9612-2641-04	9612-2642-04	9612-2643-04	9612-2644-04	9612-2645-04	9612-2646-04	9612-2729-04
	1		Shutter unit, PTFE/FPM	9612-2641-03	9612-2642-03	9612-2643-03	9612-2644-03	9612-2645-03	9612-2646-03	9612-2729-03
a □	1		Shutter, PTFE (standard)	9612-3948-01	9612-3948-02	9612-3948-03	9612-3948-04	9612-3948-05	9612-3948-06	9612-3948-07
	1		Shutter, Flourosint	9612-3948-08	9612-3948-09	9612-3948-10	9612-3948-11	9612-3948-12	9612-3948-13	9612-3948-14
	1		Shutter, PTFE/FPM	9612-3948-15	9612-3948-16	9612-3948-17	9612-3948-18	9612-3948-19	9612-3948-20	9612-3948-21
b □	1		Seal ring	9612-3943-01	9612-3943-02	9612-3943-03	9612-3943-03	9612-3943-04	9612-3943-05	9612-3943-06
c □	1		Support ring	9612-3942-01	9612-3942-02	9612-3942-02	9612-3942-02	9612-3942-03	9612-3942-04	9612-3942-05
d	1		Adjustment key	9612-3944-01	9612-3944-02	9612-3944-02	9612-3944-03	9612-3944-04	9612-3944-05	9612-3944-06
e	4		Cupspring	9611-99-2315	9611-99-2316	9611-99-2316	9611-99-2317	9611-99-2318	9611-99-2319	9611-99-2320
f Δ	1		O-ring	223403-02	9611-99-0026	9611-99-0026	9611-99-2880	9611-99-2880	9611-99-2881	9611-99-2882
7	1		Valve body 2-way, ISO	9612-2655-04	9612-2656-04	9612-2657-04	9612-2686-04	9612-2687-04		9612-2689-04
	1		Valve body 3-way, ISO	9612-2655-05	9612-2656-05	9612-2657-05	9612-2686-05	9612-2687-05		9612-2689-05
	1		Valve body 2-way, DIN	9612-4442-10	9612-4445-10	9612-4486-04		9612-4451-10	9612-4454-10	9612-4457-10
	1		Valve body 3-way, DIN	9612-4442-11	9612-4445-11	9612-4486-05		9612-4451-11	9612-4454-11	9612-4457-11
8	1		Tightening device	9612-2690-01	9612-4516-01	9612-2692-01	9612-2693-01	9612-2694-01	9612-2695-01	9612-2696-01
9	1		Safety screw	9612-4008-01	9612-4008-01	9612-2698-01	9612-2698-01	9612-2698-01	9612-4015-01	9612-4015-01
10	1		Wedge	9612-4367-01	9612-4367-01	9612-4367-01	9612-4367-01	9612-4367-01	9612-4491-01	9612-4491-01

□ Shutterkit (6a+b+c) 9611-92-4045 9611-92-4046 9611-92-4047 9611-92-4048 9611-92-4049 9611-92-4050 9611-92-4051

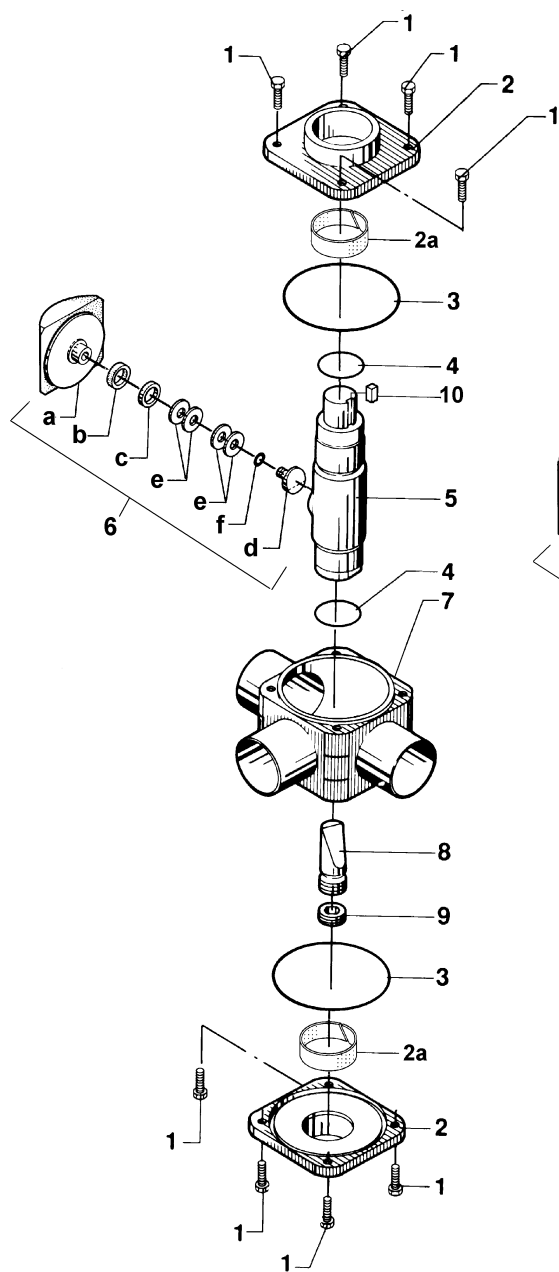
Parts marked with □ are included in the servicekit

Δ			MH Service kit EPDM	9611-92-4052	9611-92-4055	9611-92-4058	9611-92-4061	9611-92-4064	9611-92-4067	9611-92-4070
Δ			MH Service kit NBR	9611-92-4053	9611-92-4056	9611-92-4059	9611-92-4062	9611-92-4065	9611-92-4068	9611-92-4071
Δ			MH Service kit FPM	9611-92-4054	9611-92-4057	9611-92-4060	9611-92-4063	9611-92-4066	9611-92-4069	9611-92-4072

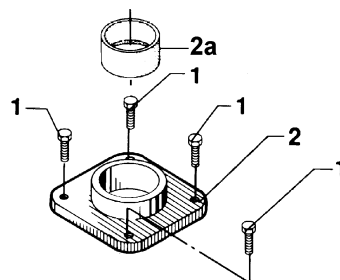
Parts marked with Δ are included in the servicekit

Koltek Valve type MH, MHI and MHE

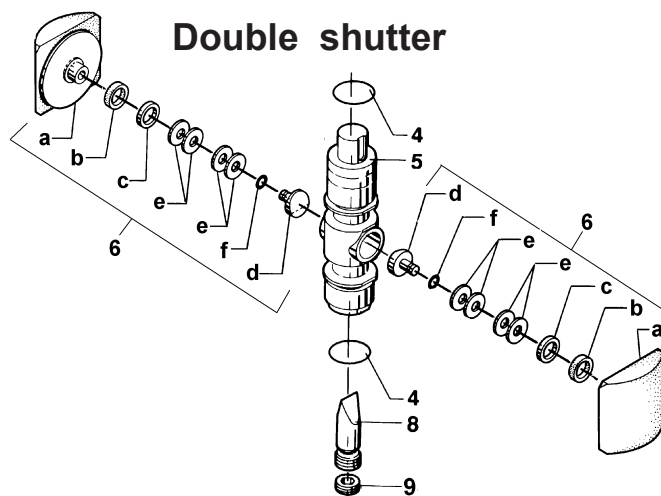
4



Bearing and lid for bearing



Double shutter



Koltek Valve type MH, MHI and MHE

Type MHI

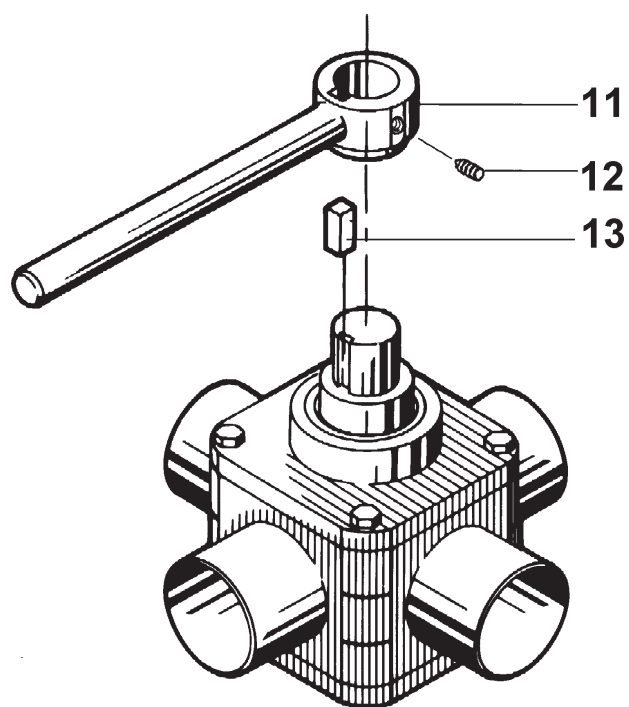
Pos.	Qty.	Denomination	25 mm	38 mm	51 mm	63.5 mm	76 mm
1	8	Screw	9611-99-3351	9611-99-0456	9611-99-0456	9611-99-1910	
	16	Screw					9611-99-1910
2	2	Lid for guide ring (standard)	9612-5112-01	9612-5113-02	9612-5114-02	9612-5115-02	9612-5134-02
	2	Lid for bearing ("Old type")	9612-3952-02	9612-3949-02	9612-3953-02	9612-3954-02	9612-3955-02
2a	2	Guide ring (standard)	9612-5116-02	9612-5116-03	9612-5116-04	9612-5116-04	9612-5116-05
	2	Bearing, bronze (for "old lid")	9612-3950-02	9612-3950-03	9612-3950-04	9612-3950-05	9612-3950-06
2	2	Bearing, PTFE (for "old lid")	9612-3957-02	9612-3957-03	9612-3957-04	9612-3957-05	9612-3957-06
	2	O-ring, EPDM (standard)	9611-99-2243	9611-99-2237	9611-99-2240	9611-99-1137	9611-99-2245
2	2	O-ring, NBR	9611-99-2242	9611-99-2236	9611-99-2239	9611-99-2228	223406-85
	2	O-ring, FPM	9611-99-2244	9611-99-2238	9611-99-2241	9611-99-2229	9611-99-2246
4	2	O-ring, EPDM (standard)	9611-99-2252	9611-99-2255	9611-99-2255	9611-99-2255	260104-34
	2	O-ring, NBR	9611-99-3440	9611-99-2254	9611-99-2254	9611-99-2254	9611-99-0076
2	2	O-ring, FPM	9611-99-2253	9611-99-2256	9611-99-2256	9611-99-2256	9611-99-3442
	5	Shaft, AISI 316L	9612-2628-01	9612-2629-01	9612-2630-01	9612-2631-01	9612-2632-01
6	1	Shutter unit, PTFE/316L (standard)	9612-2642-05	9612-2643-05	9612-2644-05	9612-2645-05	9612-2646-05
	1	Shutter unit, Flourosint/316L	9612-2642-06	9612-2643-06	9612-2644-06	9612-2645-06	9612-2646-06
a	1	Shutter, PTFE (standard)	9612-4361-01	9612-4361-02	9612-4361-03	9612-4361-04	9612-4361-05
	1	Shutter, Flourosint	9612-4361-06	9612-4361-07	9612-4361-08	9612-4361-09	9612-4361-10
1	1	Shutter, PTFE	9612-4361-01	9612-4361-02	9612-4361-03	9612-4361-04	9612-4361-05
	b	1	Seal ring	9612-3943-07	9612-3943-02	9612-3943-03	9612-3943-08
c	1	Support ring	9612-3942-06	9612-3942-02	9612-3942-02	9612-3942-07	9612-3942-08
	d	1	Adjustment key	9612-3944-07	9612-3944-02	9612-3944-08	9612-3944-04
e	4	Cup spring	9611-99-2316	9611-99-2316	9611-99-2316	9611-99-2318	9611-99-2319
	f	1	O-ring	9611-99-0026	9611-99-0026	9611-99-2880	9611-99-2880
7	1	Valve body, 2-way AISI 316L	9612-2791-04	9612-2792-04	9612-2793-04	9612-2794-04	9612-2795-04
	1	Valve body, 3-way AISI 316L	9612-2791-05	9612-2792-05	9612-2793-05	9612-2794-05	9612-2795-05
8	1	Tightening device	9612-4516-01	9612-2692-01	9612-2693-01	9612-2694-01	9612-2695-01
	9	1	Safety screw	9612-4008-01	9612-2698-01	9612-2698-01	9612-2698-01
10	1	Wedge	9612-4367-01	9612-4367-01	9612-4367-01	9612-4367-01	9612-4491-01

Type MHE

Pos.	Qty.	Denomination	25 mm	38 mm	51 mm	63.5 mm	76 mm
1	8	Screw	9611-99-3351	9611-99-0456	9611-99-0456	9611-99-1910	
	16	Screw					9611-99-1910
2	2	Lid for guide ring (standard)	9612-5112-01	9612-5113-02	9612-5114-02	9612-5115-02	9612-5134-02
	2	Lid for bearing	9612-3952-02	9612-3949-02	9612-3953-02	9612-3954-02	9612-3955-02
2a	2	Guide ring (standard)	9612-5116-02	9612-5116-03	9612-5116-04	9612-5116-04	9612-5116-05
	2	Bearing, bronze	9612-3950-02	9612-3950-03	9612-3950-04	9612-3950-05	9612-3950-06
2	2	Bearing, PTFE	9612-3957-02	9612-3957-03	9612-3957-04	9612-3957-05	9612-3957-06
	2	O-ring, EPDM (standard)	9611-99-2243	9611-99-2237	9611-99-2240	9611-99-1137	9611-99-2245
2	2	O-ring, NBR	9611-99-2242	9611-99-2236	9611-99-2239	9611-99-2228	223406-85
	2	O-ring, FPM	9611-99-2244	9611-99-2238	9611-99-2241	9611-99-2229	9611-99-2246
4	2	O-ring, EPDM (standard)	9611-99-2252	9611-99-2255	9611-99-2255	9611-99-2255	260104-34
	2	O-ring, NBR	9611-99-3440	9611-99-2254	9611-99-2254	9611-99-2254	9611-99-0076
2	2	O-ring, FPM	9611-99-2253	9611-99-2256	9611-99-2256	9611-99-2256	9611-99-3442
	5	Shaft, AISI 316L	9612-2626-01	9612-2626-01	9612-2626-01	9612-2626-01	9612-2626-01
6	2	Shutter unit, PTFE/316L	9612-2642-05	9612-2643-05	9612-2644-05	9612-2645-05	9612-2646-05
	2	Shutter unit, Flourosint/316L	9612-2642-06	9612-2643-06	9612-2644-06	9612-2645-06	9612-2646-06
a	2	Shutter, Flourosint	9612-4361-06	9612-4361-07	9612-4361-08	9612-4361-09	9612-4361-10
	2	Shutter, PTFE	9612-4361-01	9612-4361-02	9612-4361-03	9612-4361-04	9612-4361-05
b	2	Seal ring	9612-3943-07	9612-3943-02	9612-3943-02	9612-3943-08	9612-3943-09
	c	2	Support ring	9612-3942-06	9612-3942-02	9612-3942-02	9612-3942-07
d	2	Adjustment key	9612-3944-07	9612-3944-02	9612-3944-08	9612-3944-04	9612-3944-09
	e	8	Cup spring	9611-99-2316	9611-99-2316	9611-99-2316	9611-99-2318
f	2	O-ring	9611-99-0026	9611-99-0026	9611-99-2880	9611-99-2880	9611-99-2881
	7	1	Valve body, 2-way AISI 316L	9612-2791-04	9612-2792-04	9612-2793-04	9612-2794-04
1		Valve body, 3-way AISI 316L	9612-2791-05	9612-2792-05	9612-2793-05	9612-2794-05	9612-2795-05
1	1	Valve body, 4-way AISI 316L	9612-2791-06	9612-2792-06	9612-2793-06	9612-2794-06	9612-2795-06
	8	1	Tightening device	9612-2691-01	9612-2797-01	9612-2798-01	9612-2799-01
9	1	Safety screw	9612-4008-01	9612-2698-01	9612-2698-01	9612-2698-01	9612-4015-01
	10	1	Wedge	9612-4367-01	9612-4367-01	9612-4367-01	9612-4491-01

Handle for Koltek Valves Type MH, MHI and MHE

6



Handle for Koltek Valves Type MH, MHI and MHE

SMS, ISO, BS, DIN, DS

Pos.	Qty.	Denomination	NW 25-40	NW 50-65	76 mm	NW 80-100
			25-38 mm	51-63.5 mm		89-102 mm
11	1	Handle, 2-way (incl. pos. 12)	9612-4362-04	9612-4362-05	9612-4362-06	9612-4490-02
12	1	Pointed screw	9611-99-3004	9611-99-3004	9611-99-3004	9611-99-3038
13	1	Wedge	9612-4367-01	9612-4367-01	9612-4367-01	9612-4491-01

SMS, ISO, BS

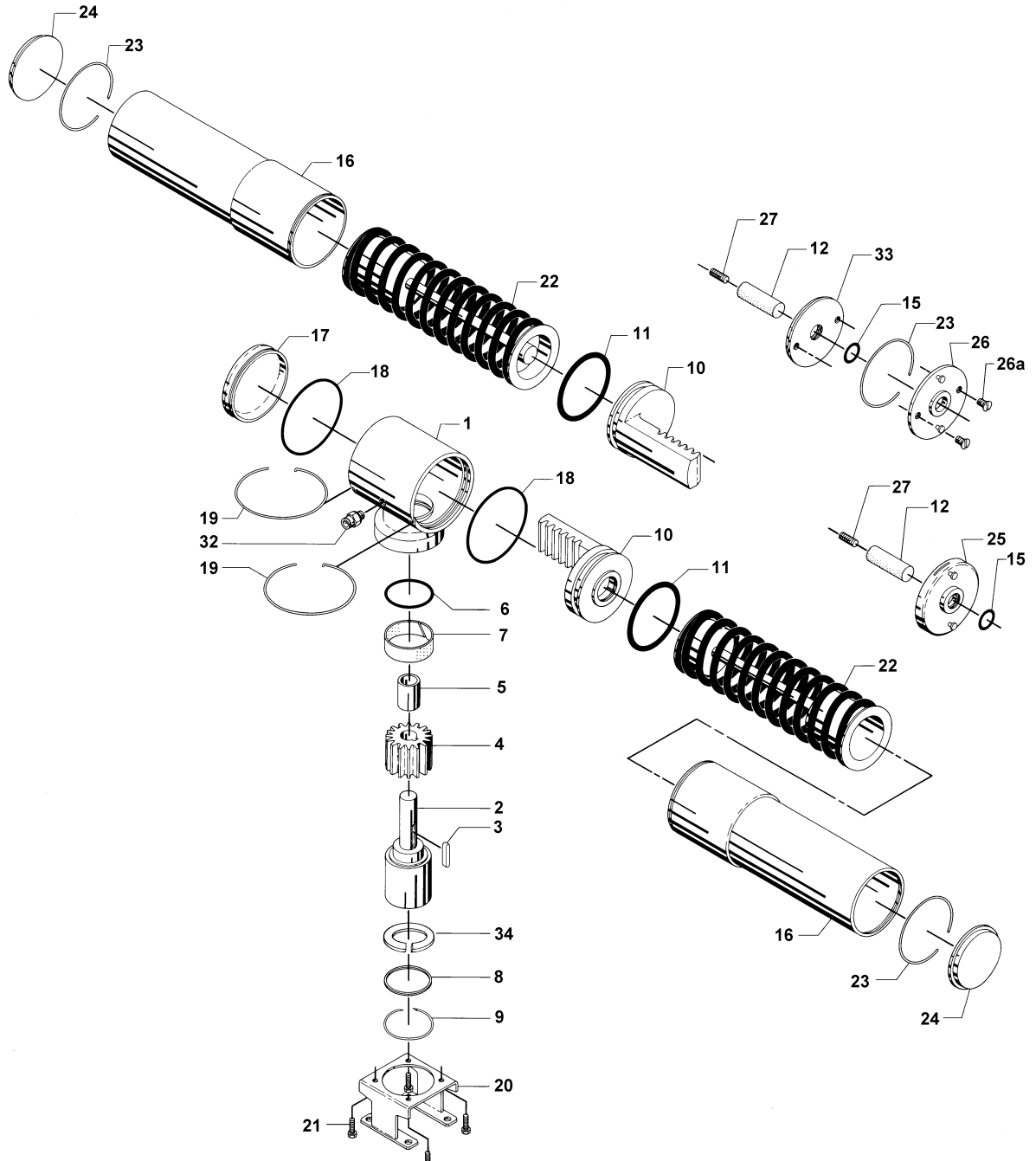
Pos.	Qty.	Denomination	NW 25-40	NW 50-65	76 mm	NW 80-100
			25-38 mm	51-63.5 mm		89-102 mm
11	1	Handle, 3-way (incl. pos 12)	9612-4362-01	9612-4362-02	9612-4362-03	9612-4490-01
12	1	Pointed screw	9611-99-3004	9611-99-3004	9611-99-3004	9611-99-3038
13	1	Wedge	9612-4367-01	9612-4367-01	9612-4367-01	9612-4491-01

DIN, DS

Pos.	Qty.	Denomination	NW 25-40	NW 50-65	76 mm	NW 80-100
			25-38 mm	50-63.5 mm		89-102 mm
11	1	Handle, 3-way (incl. pos 12)	9612-4362-07	9612-4362-08	9612-4362-09	9612-4490-03
12	1	Pointed screw	9611-99-3004	9611-99-3004	9611-99-3004	9611-99-3038
13	1	Wedge	9612-4367-01	9612-4367-01	9612-4367-01	9612-4491-01

Koltek Actuator Type 630

8



Koltek Actuator Type 630

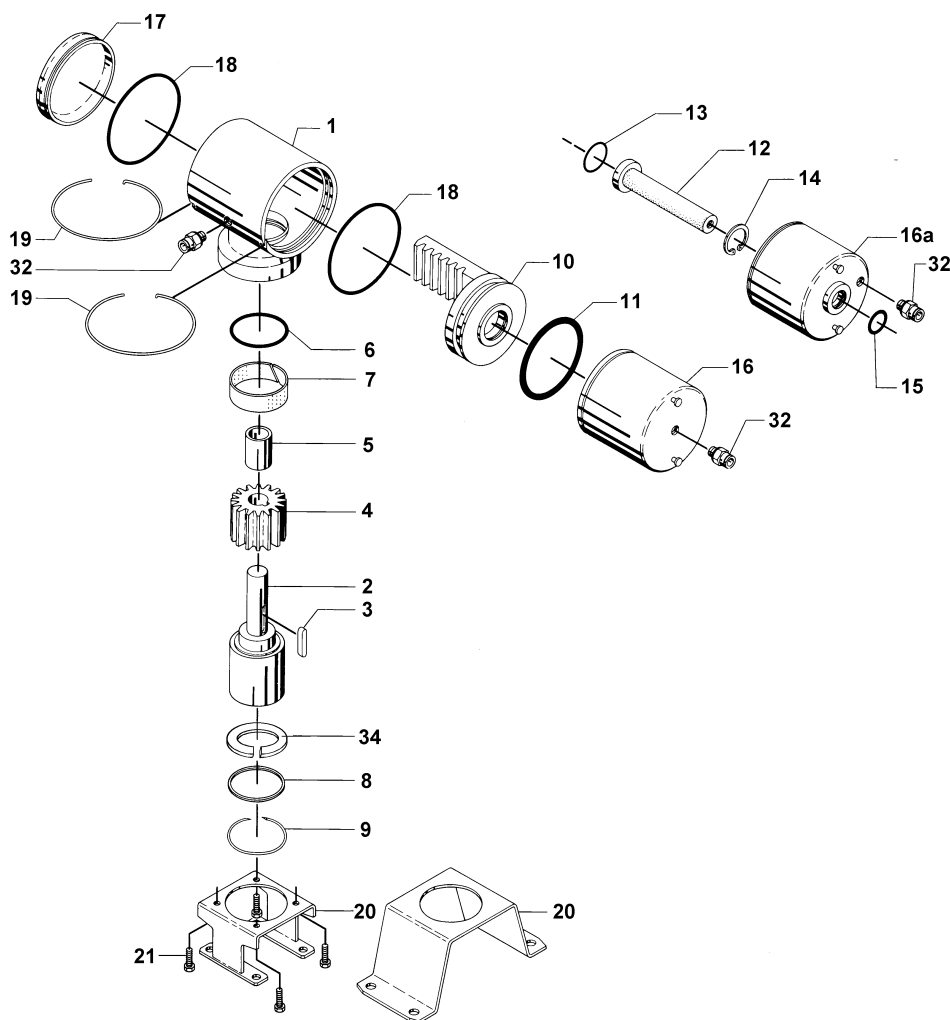
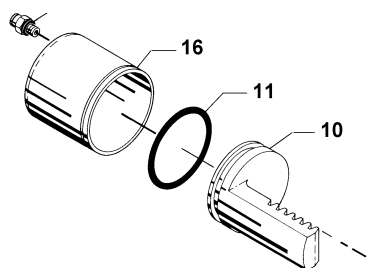
Pos.	Qty.	Denomination	25-51 mm	With indication	63.5-76 mm	With indication
			NW 25-50	25-51 mm NW 25-50	NW 65	63.6-76 mm NW 65
1	1	Chassis	9612-4809-01	9612-4809-01	9612-4809-01	9612-4809-01
2	1	Spindle	9612-4796-01	9612-4796-01	9612-4796-01	9612-4796-01
3	1	Wedge	9612-4937-01	9612-4937-01	9612-4937-01	9612-4937-01
4	1	Gear wheel	9612-4795-01	9612-4795-01	9612-4795-01	9612-4795-01
5	1	Bearing	9611-99-3172	9611-99-3172	9611-99-3172	9611-99-3172
6Δ	1	O-ring	9611-99-1413	9611-99-1413	9611-99-1413	9611-99-1413
7Δ	1	Guide ring	9612-4938-01	9612-4938-01	9612-4938-01	9612-4938-01
8Δ	1	Bearing	9612-4941-01	9612-4941-01	9612-4941-01	9612-4941-01
9	1	Lock ring	9612-4803-01	9612-4803-01	9612-4803-01	9612-4803-01
10	1	Piston	9612-4939-01	9612-4939-01		
	2	Piston			9612-4939-01	9612-4939-01
11Δ	1	O-ring	9611-99-2233	9611-99-2233		
	2	O-ring			9611-99-2233	9611-99-2233
12	1	Indication stem		9612-5055-01		9612-5055-01
15Δ	1	O-ring		9611-99-2129		9611-99-2129
16	1	Cylinder	9612-4819-01	9612-4819-01		
	2	Cylinder			9612-4948-01	9612-4948-01
17	1	Cylinder	9612-4797-01	9612-4797-01		
18Δ	2	O-ring	9611-99-3170	9611-99-3170	9611-99-3170	9611-99-3170
19	2	Lock wire	9612-4825-01	9612-4825-01	9612-4825-01	9612-4825-01
20	1	Bonnet for MH25	9612-4959-01	9612-4959-01		
	1	Bonnet for MH38	9612-4960-01	9612-4960-01		
	1	Bonnet for MH51	9612-4961-01	9612-4961-01		
	1	Bonnet for MH63			9612-4962-01	9612-4962-01
	1	Bonnet for MH76			9612-5051-01	9612-5051-01
21	4	Screw	221031-02	221031-02	221031-02	221031-02
22	1	Spring	9612-5054-01	9612-5054-01		
	2	Spring			9612-5053-01	9612-5053-01
23	1	Lock wire	9612-4944-01	9612-4944-01		
	2	Lock wire			9612-4952-01	9612-4952-01
24	1	Flange	9612-5065-01			9612-4949-01
	2	Flange			9612-4949-01	
25	1	Flange for indication		9612-4945-01		
26	1	Flange for indication				9612-4947-01
26a	2	Screw				9611-99-3173
27	1	Screw for indication stem		9611-99-3039		9611-99-3039
32	1	Air fitting	9611-99-2563	9611-99-2563	9611-99-2563	9611-99-2563
33	1	Guide for indication				9612-4951-01
34	1	Spindle extension (only for MH25)	9612-4820-01	9612-4820-01		
Δ		Service kit.....	9611-92-4175	9611-92-4176	9611-92-4177	9611-99-4178

Parts marked with Δ are included in the Service Kits

Recommended Spare Parts: **Service kit.**

Koltek Actuator Type 631

10



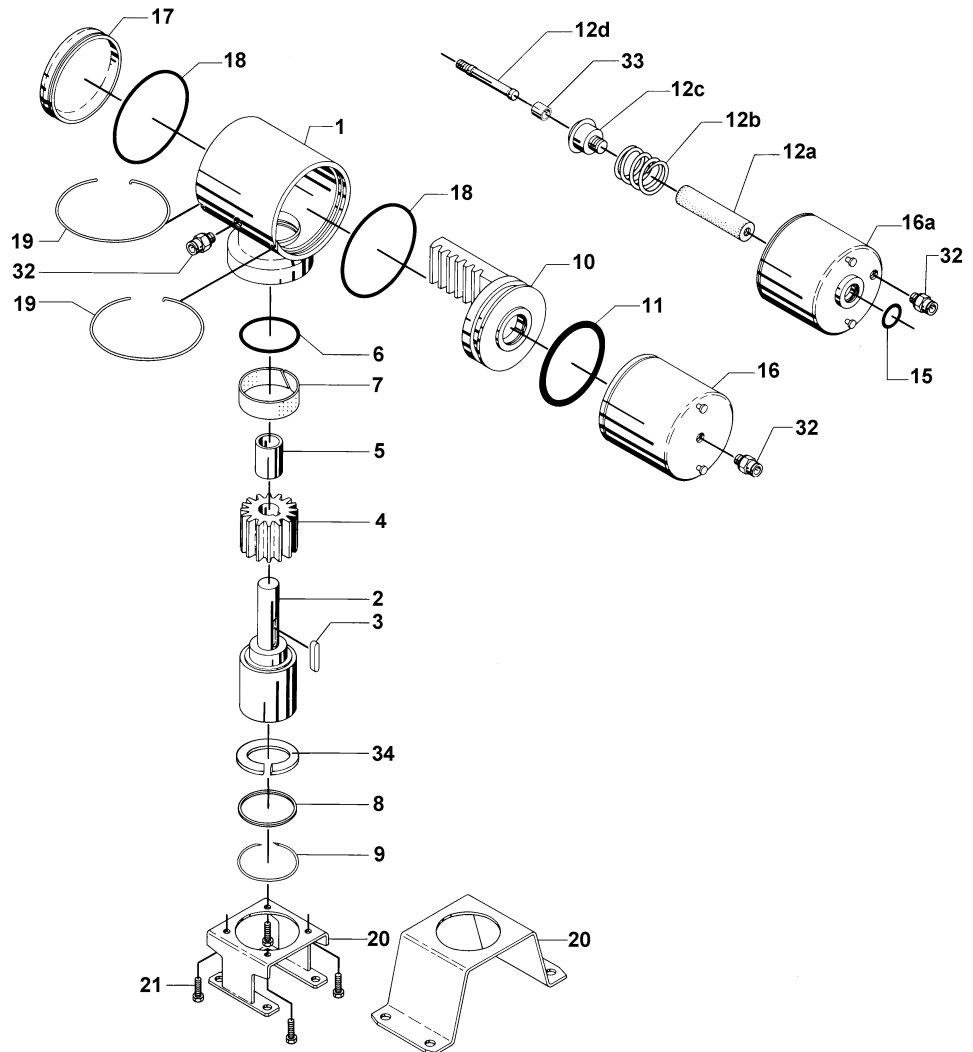
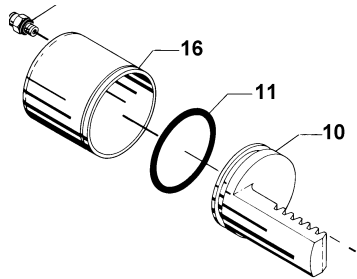
Koltek Actuator Type 631

Pos.	Qty.	Denomination	With indication		With indication	
			25-76 mm NW 25-65	25-76 mm NW 25-65	89-102 mm NW 80-100	89-102 mm NW 80-100
1	1	Chassis	9612-4809-01	9612-4809-01	9612-4809-01	9612-4809-01
2	1	Spindle	9612-4796-01	9612-4796-01	9612-4933-01	9612-4933-01
3	1	Wedge	9612-4937-01	9612-4937-01	9612-4937-01	9612-4937-01
4	1	Gear wheel	9612-4795-01	9612-4795-01	9612-4795-01	9612-4795-01
5	1	Bearing	9611-99-3172	9611-99-3172	9611-99-3172	9611-99-3172
6Δ	1	O-ring	9611-99-1413	9611-99-1413	9611-99-1413	9611-99-1413
7Δ	1	Guide ring	9612-4938-01	9612-4938-01	9612-4938-01	9612-4938-01
8Δ	1	Bearing	9612-4941-01	9612-4941-01	9612-4941-01	9612-4941-01
9	1	Lock ring	9612-4803-01	9612-4803-01	9612-4803-01	9612-4803-01
10	1	Piston	9612-4939-01	9612-4939-01		
	2	Piston			9612-4939-01	9612-4939-01
11Δ	1	O-ring	9611-99-2233	9611-99-2233		
	2	O-ring			9611-99-2233	9611-99-2233
12	1	Indication stem		9612-4805-01		9612-4805-01
13	1	O-ring		9611-99-0096		9611-99-0096
14	1	Circlip		9611-99-3171		9611-99-3171
15Δ	1	O-ring		9611-99-2129		9611-99-2129
16	1	Cylinder	9612-4799-03			9612-4799-03
	2	Cylinder			9612-4799-03	
16a	1	Cylinder		9612-4800-01		9612-4800-01
17	1	Cylinder	9612-4797-01	9612-4797-01		
18Δ	2	O-ring	9611-99-3170	9611-99-3170	9611-99-3170	9611-99-3170
19	2	Lock wire	9612-4825-01	9612-4825-01	9612-4825-01	9612-4825-01
20	1	Bonnet for MH25	9612-4959-01	9612-4959-01		
	1	Bonnet for MH38	9612-4960-01	9612-4960-01		
	1	Bonnet for MH51	9612-4961-01	9612-4961-01		
	1	Bonnet for MH63	9612-4962-01	9612-4962-01		
	1	Bonnet for MH76	9612-5051-01	9612-5051-01		
	1	Bonnet for MH89			9612-5052-01	9612-5052-01
	1	Bonnet for MH102			9612-4808-01	9612-4808-01
21	4	Screw	221031-02	221031-02	221031-02	221031-02
32	2	Air fitting	9611-99-2563	9611-99-2563		
	3	Air fitting			9611-99-2563	9611-99-2563
34	1	Spindle extention (only for MH25)		9612-4820-01	9612-4820-01	
Δ		Service kit	9611-92-4175	9611-92-4176	9611-92-4177	9611-92-4178

Parts marked with Δ are included in the Service Kits

Koltek Actuator Type 632

12



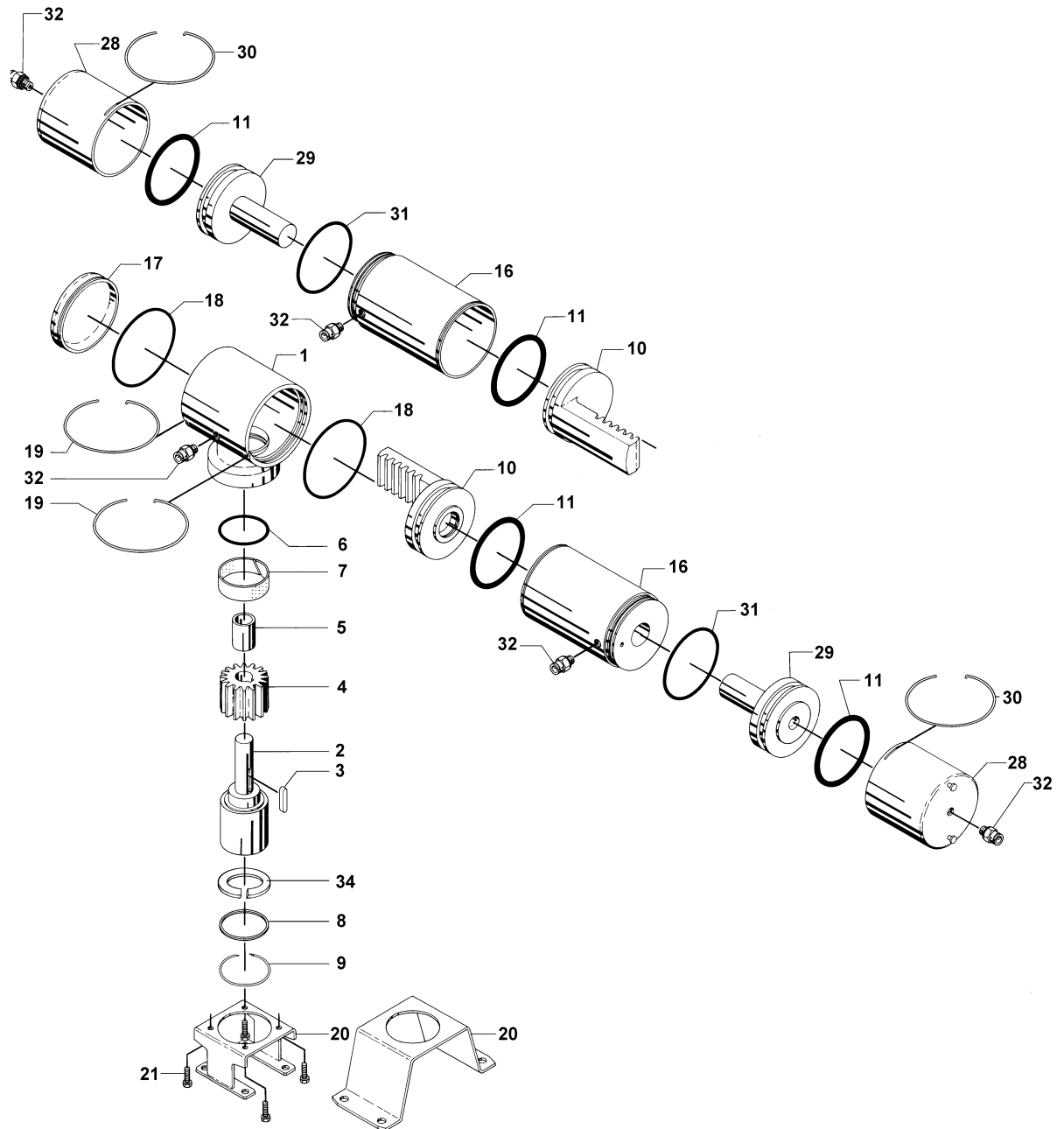
Koltek Actuator Type 632

Pos.	Qty.	Denomination	With indication		With indication	
			25-76 mm	25-76 mm	89-102 m	89-102 mm
			NW25-65	NW25-65	NW80-100	NW80-100
1	1	Chassis	9612-4809-01	9612-4809-01	9612-4809-01	9612-4809-01
2	1	Spindle	9612-4796-01	9612-4796-01	9612-4933-01	9612-4933-01
3	1	Wedge	9612-4937-01	9612-4937-01	9612-4937-01	9612-4937-01
4	1	Gear wheel	9612-4795-01	9612-4795-01	9612-4795-01	9612-4795-01
5	1	Bearing	9611-99-3172	9611-99-3172	9611-99-3172	9611-99-3172
6Δ	1	O-ring	9611-99-1413	9611-99-1413	9611-99-1413	9611-99-1413
7Δ	1	Guide ring	9612-4938-01	9612-4938-01	9612-4938-01	9612-4938-01
8Δ	1	Bearing	9612-4941-01	9612-4941-01	9612-4941-01	9612-4941-01
9	1	Lock ring	9612-4803-01	9612-4803-01	9612-4803-01	9612-4803-01
10	1	Piston	9612-4939-04	9612-4939-03		
	1	Piston				9612-4939-02
	2	Piston			9612-4939-05	9612-4939-05
11Δ	1	O-ring	9611-99-2233	9611-99-2233		
	2	O-ring			9611-99-2233	9611-99-2233
12a	1	Indication stem		9612-5063-01		9612-5063-01
b	1	Spring		9612-3700-01		9612-3700-01
c	1	Screw		9612-5067-01		9612-5067-01
d	1	Extension stem		9612-3694-01		9612-3694-01
15Δ	1	O-ring		9611-99-2129		9611-99-2129
16	1	Cylinder	9612-4799-02			9612-4799-04
	2	Cylinder			9612-4799-04	
16a	1	Cylinder		9612-4800-02		9612-4800-03
17	1	Cylinder	9612-4799-01	9612-4799-01		
18Δ	2	O-ring	9611-99-3170	9611-99-3170	9611-99-3170	9611-99-3170
19	2	Lock wire	9612-4825-01	9612-4825-01	9612-4825-01	9612-4825-01
20	1	Bonnet for MH25	9612-4959-01	9612-4959-01		
	1	Bonnet for MH38	9612-4960-01	9612-4960-01		
	1	Bonnet for MH51	9612-4961-01	9612-4961-01		
	1	Bonnet for MH63	9612-4962-01	9612-4962-01		
	1	Bonnet for MH76	9612-5051-01	9612-5051-01		
	1	Bonnet for MH89	9612-5052-01	9612-5052-01		
	1	Bonnet for MH102	9612-4808-01	9612-4808-01		
21	4	Screw	221031-02	221031-02	221031-02	221031-02
32	2	Air fitting	9611-99-2563	9611-99-2563		
	3	Air fitting			9611-99-2563	9611-99-2563
33	1	Bush		9611-99-3437		9611-99-3437
34	1	Spindle extention (only f. MH25) .	9612-4820-01	9612-4820-01		
Δ		Service kit	9611-92-4175	9611-92-4176	9611-92-4177	9611-92-4178

Parts marked with Δ are included in the Service Kits

Koltek Actuator Type 633

14



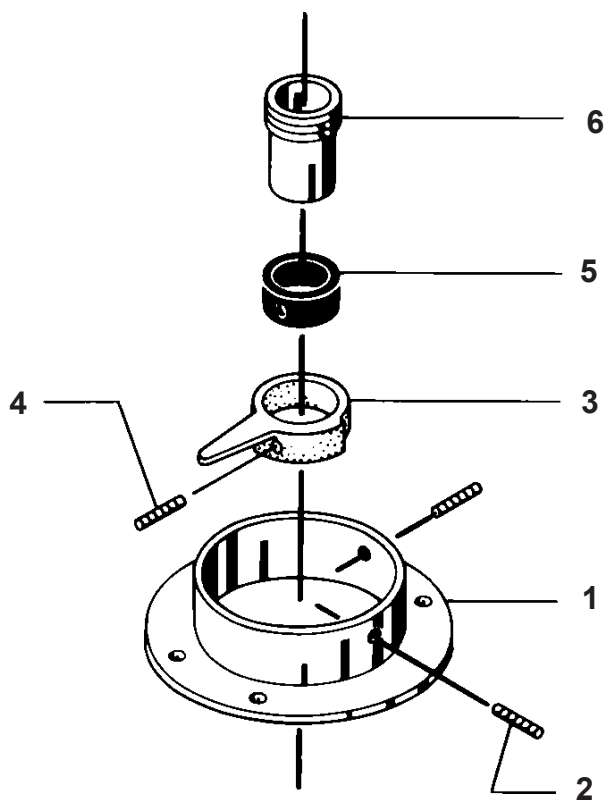
Koltek Actuator Type 633

Pos.	Qty.	Denomination	25-76 mm NW25-65	89-102 mm NW80-100
1	1	Chassis	9612-4809-01	9612-4809-01
2	1	Spindle	9612-4796-01	9612-4933-01
3	1	Wedge	9612-4937-01	9612-4937-01
4	1	Gear wheel	9612-4795-01	9612-4795-01
5	1	Bearing	9611-99-3172	9611-99-3172
6Δ	1	O-ring	9611-99-1413	9611-99-1413
7Δ	1	Guide ring	9612-4938-01	9612-4938-01
8Δ	1	Bearing	9612-4941-01	9612-4941-01
9	1	Lock ring	9612-4803-01	9612-4803-01
10	1	Piston	9612-4939-04	
	2	Piston		9612-4939-05
11Δ	2	O-ring	9611-99-2233	
	4	O-ring		9611-99-2233
16	1	Cylinder	9612-4822-01	
	2	Cylinder		9612-4822-02
17	1	Cylinder	9612-4799-01	
18Δ	2	O-ring	9611-99-3170	9611-99-3170
19	2	Lock wire	9612-4825-01	9612-4825-01
20	1	Bonnet for MH25	9612-4959-01	
	1	Bonnet for MH38	9612-4960-01	
	1	Bonnet for MH51	9612-4961-01	
	1	Bonnet for MH63	9612-4962-01	
	1	Bonnet for MH76	9612-5051-01	
	1	Bonnet for MH89		9612-5052-01
	1	Bonnet for MH102	9612-4808-01	
21	4	Screw	221031-02	221031-02
28	1	Auxiliary cylinder	9612-4823-01	
	2	Auxiliary cylinder		9612-4823-01
29	1	Auxiliary piston	9612-4824-01	
	2	Auxiliary piston		9612-4824-01
30	1	Lock wire	9612-4958-01	
	2	Lock wire		9612-4958-01
31	1	O-ring	9611-99-0577	
	2	O-ring		9611-99-0577
32	3	Air fitting	9611-99-2563	
	5	Air fitting	9611-99-2563	
34	1	Spindle extention (only for MH25)	9612-4820-01	9612-4820-01
Δ		Service kit	9611-92-4177	9611-92-4180

Parts marked with Δ are included in the Service Kits

Koltek Laterally Fitted Indication

16



Koltek Laterally Fitted Indication

Pos.	Qty.	Denomination	9612-5062-01	9612-5062-02	9612-5062-03	9612-5062-04
			25 mm NW 25	38 mm NW 40	51-76 mm NW 50-65	89-100 mm NW 80-100
1	1	Mounting bracket	9612-5064-02	9612-5064-03	9612-5064-03	9612-5060-01
2	2	Screw for mounting bracket	9611-99-1255	9611-99-1255	9611-99-1255	9611-99-1255
3	1	Indicator	9611-41669-0	9611-41669-0	9611-41669-0	9611-41669-0
4	1	Screw for indicator	9611-99-1754	9611-99-1754	221533-09	
5	1	Bearing	9612-5057-01	9612-5057-01	9612-5057-02	
6	1	Safety screw	9612-5056-01	9612-5056-01	9612-5058-01	9612-5061-01

How to contact Alfa Laval

Contact details for all countries are continually updated on our website. Please visit www.alfalaval.com to access the information direct.