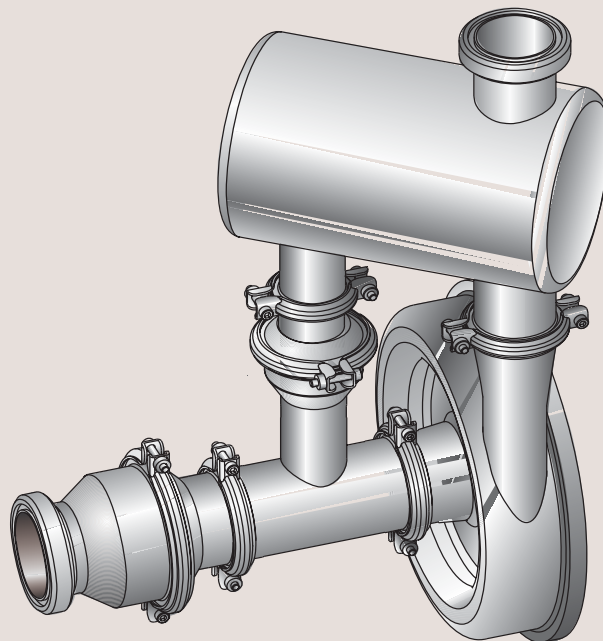




## Spare Parts (Appendix)

### LKHSP Self-Priming Centrifugal Pump



**NOTE!**

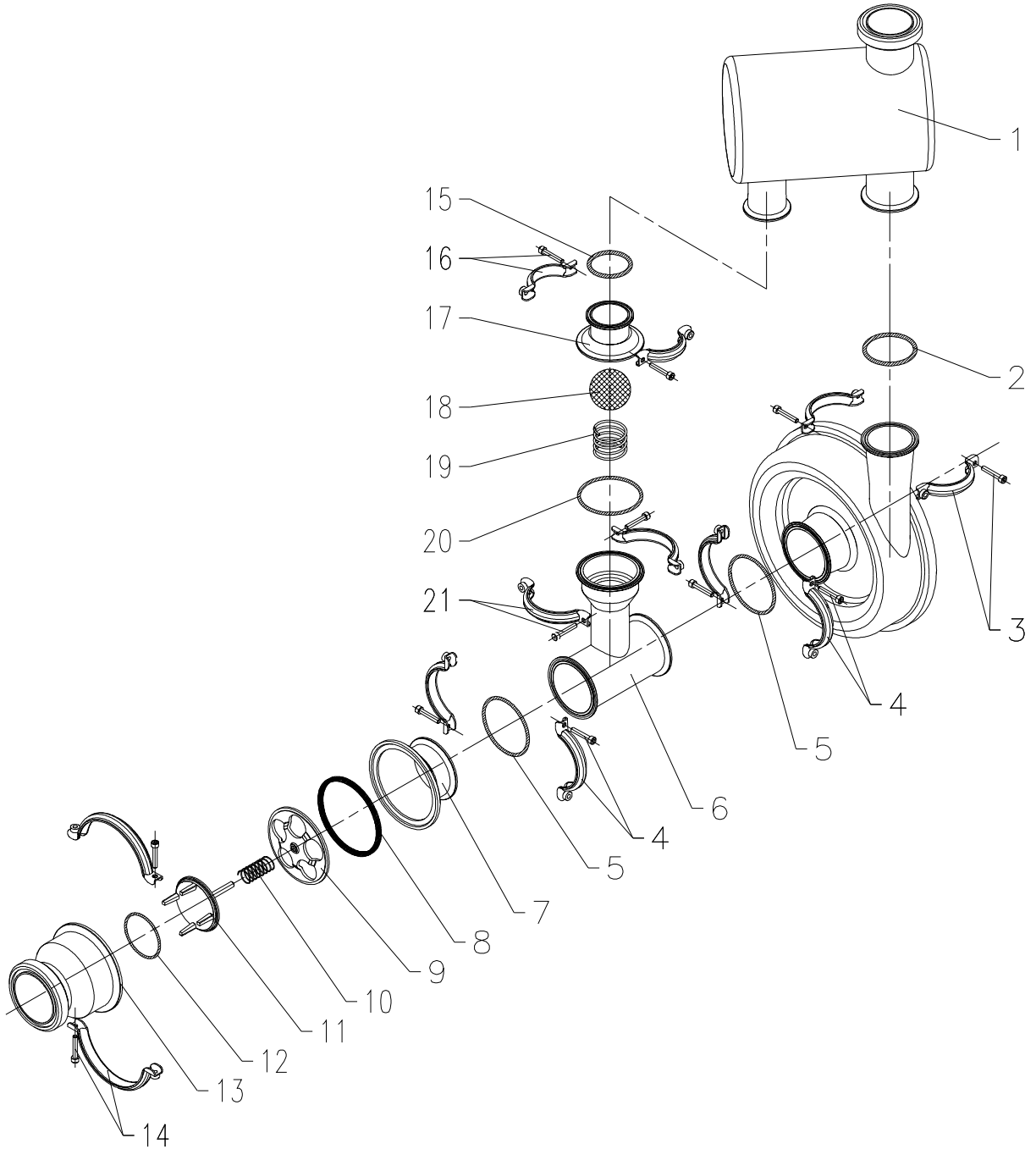
This is an appendix to Spare Parts SP 70737 for LKH Centrifugal pump.

The appendix must be used in connection with SP 70737 to ensure correct installation, operation and maintenance of the self-priming unit.

Non-specified information is identical with the data for the standard LKH pump.

# LKHSP Self-priming Centrifugal Pump

2



# LKHSP Self-priming Centrifugal Pump

Pos.	Qty.	Denomination	LKHSP-10	LKHSP-20	LKHSP-25	LKHSP-35	LKHSP-40
1	1	Tank complete, SMS .....					
	1	Tank complete, IDF .....					
	1	Tank complete, BS .....					
	1	Tank complete, DIN .....		Not available as spares			
	1	Tank complete, ISO-clamp .....					
	1	Tank complete, DS .....					
2 Δ	1	Seal ring, ISO-clamp, EPDM (standard) ..	9611-99-1360	9611-99-1360	9611-99-1361	9611-99-1360	9611-99-1361
	1	Seal ring, ISO-clamp, NBR .....	9611-99-0767	9611-99-0767	9611-99-0768	9611-99-0767	9611-99-0768
	1	Seal ring, ISO-clamp, FPM .....	9611-99-1892	9611-99-1892	9611-99-1893	9611-99-1892	9611-99-1893
3	1	Clamp ring complete .....	9611-31-105-2	9611-31-105-2	9611-31-105-3	9611-31-105-3	9611-31-105-3
4	2	Clamp ring complete .....	9611-31-105-3	9611-31-105-3	9611-31-105-4	9611-31-105-3	9611-31-105-4
5 Δ	2	Seal ring, ISO-clamp, EPDM (standard) ..	9611-99-1361	9611-99-1361	9611-99-1362	9611-99-1361	9611-99-1362
	2	Seal ring, ISO-clamp, NBR .....	9611-99-0768	9611-99-0768	9611-99-0769	9611-99-0768	9611-99-0769
	2	Seal ring, ISO-clamp, FPM .....	9611-99-1893	9611-99-1893	9611-99-1894	9611-99-1893	9611-99-1894
6	1	Tee, ISO-clamp .....		Not available as spares			
7	1	Liner, ISO-clamp .....					
8 Δ	1	Seal ring, EPDM (standard) .....	9611-25-315-3	9611-25-315-3	9611-25-315-4	9611-25-315-3	9611-25-315-4
	1	Seal ring, NBR .....	9611-25-381-3	9611-25-381-3	9611-25-381-4	9611-25-381-3	9611-25-381-4
	1	Seal ring, FPM .....	9611-25-382-3	9611-25-382-3	9611-25-382-4	9611-25-382-3	9611-25-382-4
9	1	Guide plate .....	9612-2208-04	9612-2208-04	9612-2208-05	9612-2208-04	9612-2208-05
10	1	Spring .....	9611-99-1680	9611-99-1680	9611-99-1681	9611-99-1680	9611-99-1681
11	1	Valve cone .....	9612-2207-04	9612-2207-04	9612-2207-05	9612-2207-04	9612-2207-05
12 Δ	1	O-ring, EPDM (standard) .....	9611-99-0065	9611-99-0065	9611-99-0066	9611-99-0065	9611-99-0066
	1	O-ring, NBR .....	9611-99-1413	9611-99-1413	9611-99-1414	9611-99-1413	9611-99-1414
	1	O-ring, FPM .....	9611-99-1420	9611-99-1420	9611-99-1421	9611-99-1420	9611-99-1421
13	1	Valve body, SMS .....					
	1	Valve body, IDF .....					
	1	Valve body, BS .....		Not available as spares			
	1	Valve body, DIN .....					
	1	Valve body, ISO-clamp .....					
	1	Valve body, DS .....					
14	1	Clamp ring complete .....	9611-31-105-5	9611-31-105-5	9611-31-105-6	9611-31-105-5	9611-31-105-6
15 Δ	1	Seal ring, ISO-clamp, EPDM (standard) ..	9611-99-1360	9611-99-1360	9611-99-1360	9611-99-1360	9611-99-1360
	1	Seal ring, ISO-clamp, NBR .....	9611-99-0767	9611-99-0767	9611-99-0767	9611-99-0767	9611-99-0767
	1	Seal ring, ISO-clamp, FPM .....	9611-99-1892	9611-99-1892	9611-99-1892	9611-99-1892	9611-99-1892
16	1	Clamp complete .....	9611-31-105-2	9611-31-105-2	9611-31-105-2	9611-31-105-2	9611-31-105-2
17	1	Welding liner, ISO-clamp .....		Not available as spares			
18	1	Ball, PP .....	9612-5413-01	9612-5413-01	9612-5413-01	9612-5413-01	9612-5413-01
19	1	Spring .....	9612-5354-01	9612-5354-01	9612-5354-01	9612-5354-01	9612-5354-01
20	1	Seal ring, EPDM (standard) .....	9611-99-1362	9611-99-1362	9611-99-1362	9611-99-1362	9611-99-1362
	1	Seal ring, NBR .....	9611-99-0769	9611-99-0769	9611-99-0769	9611-99-0769	9611-99-0769
	1	Seal ring, FPM .....	9611-99-1894	9611-99-1894	9611-99-1894	9611-99-1894	9611-99-1894
21	2	Clamp ring complete .....	9611-31-105-4	9611-31-105-4	9611-31-105-4	9611-31-105-4	9611-31-105-4
Δ		<b>Service kit, EPDM .....</b>	<b>9611-92-2248</b>	<b>9611-92-2248</b>	<b>9611-92-2251</b>	<b>9611-92-2248</b>	<b>9611-92-2251</b>
Δ		<b>Service kit, NBR .....</b>	<b>9611-92-2249</b>	<b>9611-92-2249</b>	<b>9611-92-2252</b>	<b>9611-92-2249</b>	<b>9611-92-2252</b>
Δ		<b>Service kit, FPM .....</b>	<b>9611-92-2250</b>	<b>9611-92-2250</b>	<b>9611-92-2253</b>	<b>9611-92-2250</b>	<b>9611-92-2253</b>

**How to contact Alfa Laval**

Contact details for all countries are continually updated on our website. Please visit [www.alfalaval.com](http://www.alfalaval.com) to access the information direct.