



Spare Parts

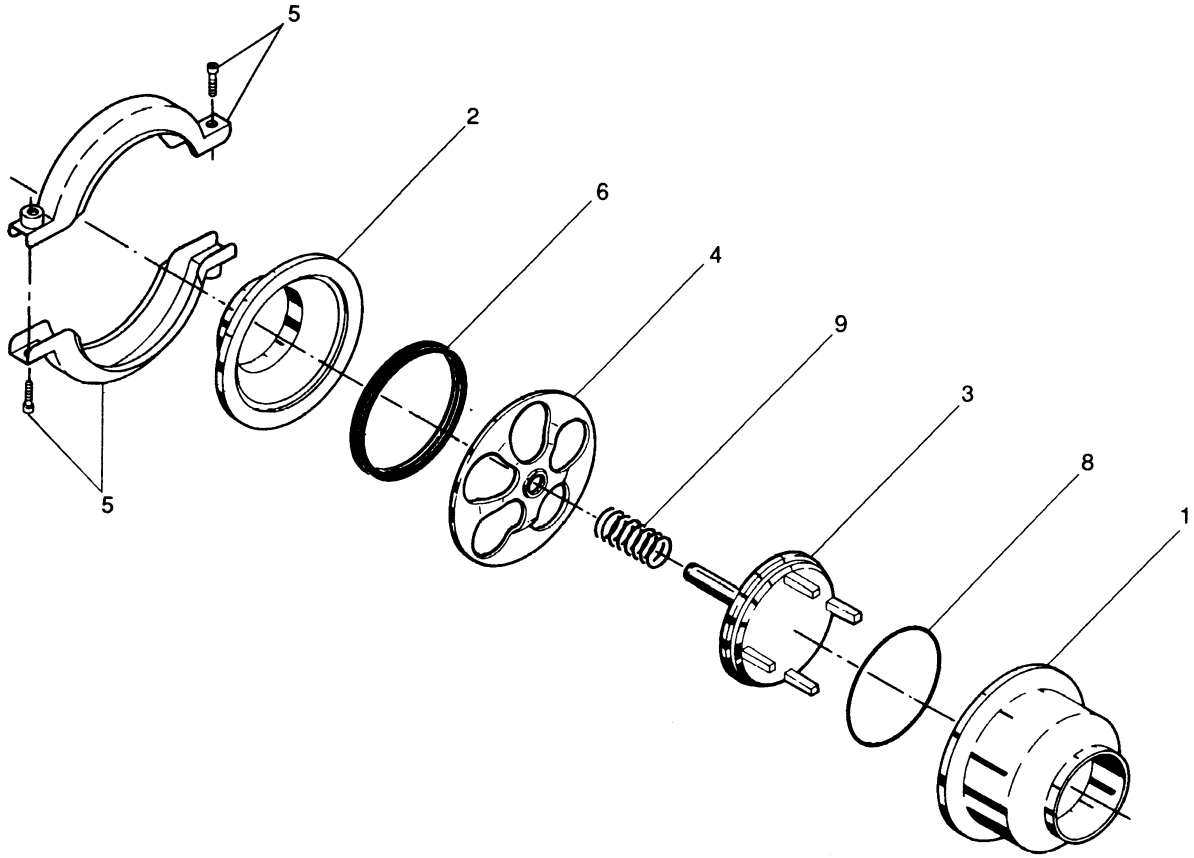
LKC-2 Non-Return Valve



SP70718-GB2 2002-11

**Non - Return Valve
Type LKC-2**

2



Non - Return Valve Type LKC-2

ISO for welding - AISI 316L

Pos.	Qty.	Denomination	9612-2200-07 DN/OD25	9612-2200-08 DN/OD38	9611-2200-09 DN/OD51	9612-2200-10 DN/OD63.5	9612-2200-11 DN/OD76.1	9612-2200-12 DN/OD101.6
1	1	Valve body	9612-2202-07	9612-2202-08	9612-2202-09	9612-2202-10	9612-2202-11	9612-2202-12
2	1	Welding liner	9612-2201-07	9612-2201-08	9612-2201-09	9612-2201-10	9612-2201-11	9612-2201-12
3	1	Valve cone	9612-2207-01	9612-2207-02	9612-2207-03	9612-2207-04	9612-2207-05	9612-2207-06
4	1	Guide plate	9612-2208-01	9612-2208-02	9612-2208-03	9612-2208-04	9612-2208-05	9612-2208-06
5	1	Clamp ring	9611-31-105-2	9611-31-105-3	9611-31-105-4	9611-31-105-5	9611-31-105-6	9611-31-105-7
6Δ	1	Seal ring, EPDM	9611-25-315-0	9611-25-315-1	9611-25-315-2	9611-25-315-3	9611-25-315-4	9611-25-315-6
	1	Seal ring, NBR	9611-25-381-0	9611-25-381-1	9611-25-381-2	9611-25-381-3	9611-25-381-4	9611-25-381-6
	1	Seal ring, FPM	9611-25-382-0	9611-25-382-1	9611-25-382-2	9611-25-382-3	9611-25-382-4	9611-25-382-6
8Δ	1	O-ring, EPDM	9611-99-0063	9611-99-0015	9611-99-0064	9611-99-0065	9611-99-0066	9611-99-0067
	1	O-ring, NBR	9611-99-1410	9611-99-1411	9611-99-1412	9611-99-1413	9611-99-1414	9611-99-1415
	1	O-ring, FPM	9611-99-1417	9611-99-1418	9611-99-1419	9611-99-1420	9611-99-1421	9611-99-1422
9	1	Spring	9611-99-1677	9611-99-1678	9611-99-1679	9611-99-1680	9611-99-1681	9611-99-2031

ISO for welding - AISI 304

Pos.	Qty.	Denomination	9612-2200-01 DN/OD25	9612-2200-02 DN/OD38	9612-2200-03 DN/OD51	9612-2200-04 DN/OD63.5	9612-2200-05 DN/OD76.1	9612-2200-06 DN/OD101.6
1	1	Valve body	9612-2202-01	9612-2202-02	9612-2202-03	9612-2202-04	9612-2202-05	9612-2202-06
2	1	Welding liner	9612-2201-01	9612-2201-02	9612-2201-03	9612-2201-04	9612-2201-05	9612-2201-06
3	1	Valve cone	9612-2207-01	9612-2207-02	9612-2207-03	9612-2207-04	9612-2207-05	9612-2207-06
4	1	Guide plate	9612-2208-01	9612-2208-02	9612-2208-03	9612-2208-04	9612-2208-05	9612-2208-06
5	1	Clamp ring	9611-31-105-2	9611-31-105-3	9611-31-105-4	9611-31-105-5	9611-31-105-6	9611-31-105-7
6Δ	1	Seal ring, EPDM	9611-25-315-0	9611-25-315-1	9611-25-315-2	9611-25-315-3	9611-25-315-4	9611-25-315-6
	1	Seal ring, NBR	9611-25-381-0	9611-25-381-1	9611-25-381-2	9611-25-381-3	9611-25-381-4	9611-25-381-6
	1	Seal ring, FPM	9611-25-382-0	9611-25-382-1	9611-25-382-2	9611-25-382-3	9611-25-382-4	9611-25-382-6
8Δ	1	O-ring, EPDM	9611-99-0063	9611-99-0015	9611-99-0064	9611-99-0065	9611-99-0066	9611-99-0067
	1	O-ring, NBR	9611-99-1410	9611-99-1411	9611-99-1412	9611-99-1413	9611-99-1414	9611-99-1415
	1	O-ring, FPM	9611-99-1417	9611-99-1418	9611-99-1419	9611-99-1420	9611-99-1421	9611-99-1422
9	1	Spring	9611-99-1677	9611-99-1678	9611-99-1679	9611-99-1680	9611-99-1681	9611-99-2031
Δ		Service kit EPDM	9611-92-4005	9611-92-4006	9611-92-4007	9611-92-4008	9611-92-4009	9611-92-4010
Δ		Service kit NBR	9611-92-4011	9611-92-4012	9611-92-4013	9611-92-4014	9611-92-4015	9611-92-4016
Δ		Service kit FPM	9611-92-4017	9611-92-4018	9611-92-4019	9611-92-4020	9611-92-4021	9611-92-4022

Parts marked with Δ are included in the **Service kit**.

NB: Following parts from LKC-2 are interchangeable with LKC-1 for size DN/OD25 to DN/OD76.1.

Pos. 3 Valve cone

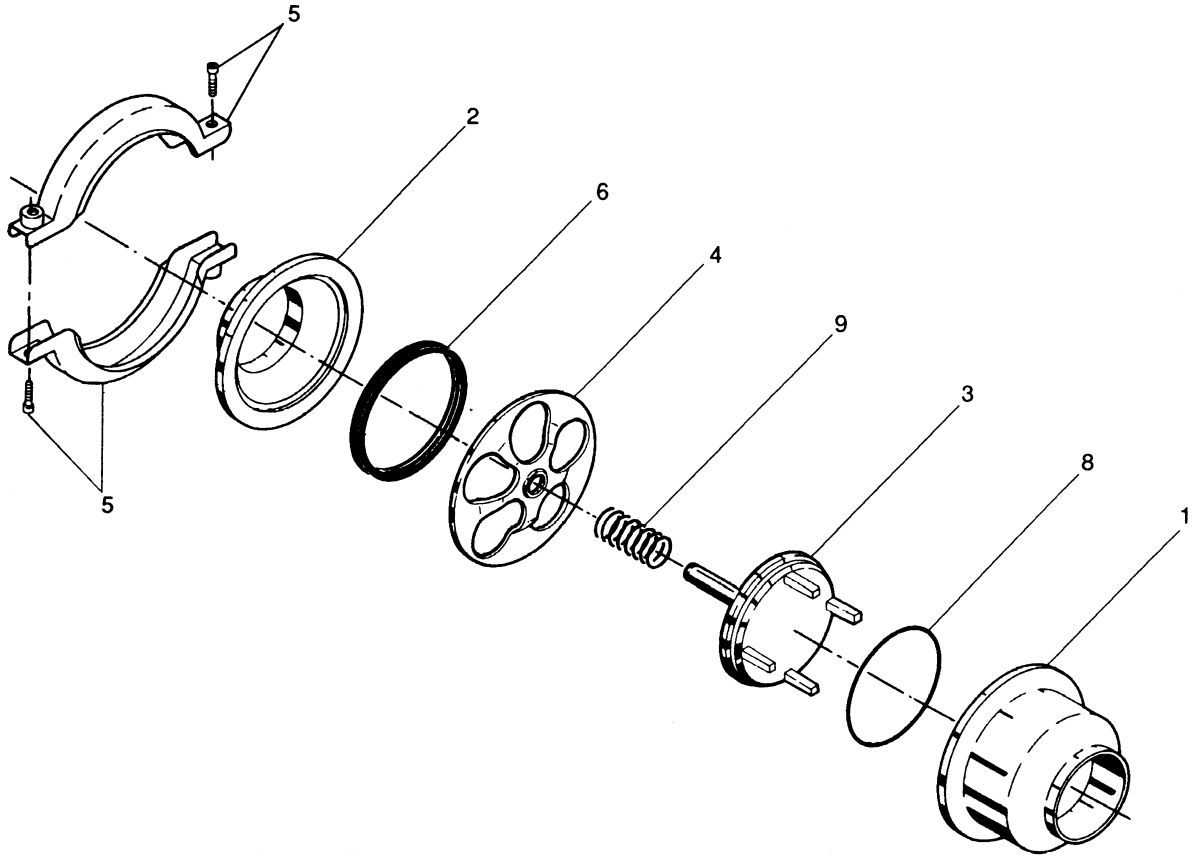
Pos. 4 Guide plate

Recommended spare parts: **Service kits**.

Non - Return Valve Type LKC-2

(Same drawing as on page 2)

4



Non - Return Valve Type LKC-2

DIN for welding - AISI 316L

Pos.	Qty.	Denomination	9612-2200-47 DN 25	9612-2200-48 DN 32	9612-2200-49 DN 40	9612-2200-50 DN 50	9612-2200-51 DN 65	9612-2200-52 DN 80	9612-2200-53 DN 100
1	1	Valve body	9612-2214-08	9612-2214-09	9612-2214-10	9612-2214-11	9612-2214-12	9612-2214-13	9612-2214-14
2	1	Welding liner	9612-2215-08	9612-2215-09	9612-2215-10	9612-2215-11	9612-2215-12	9612-2215-13	9612-2215-14
3	1	Valve cone	9612-2207-01	9612-2207-02	9612-2207-02	9612-2207-03	9612-2207-04	9612-2207-05	9612-2207-06
4	1	Guide plate	9612-2208-01	9612-2208-02	9612-2208-02	9612-2208-03	9612-2208-04	9612-2208-05	9612-2208-06
5	1	Clamp ring	9611-31-105-2	9611-31-105-3	9611-31-105-3	9611-31-105-4	9611-31-105-5	9611-31-105-6	9611-31-105-7
6Δ	1	Seal ring, EPDM	9611-25-315-0	9611-25-315-1	9611-25-315-1	9611-25-315-2	9611-25-315-3	9611-25-315-4	9611-25-315-6
	1	Seal ring, NBR ...	9611-25-381-0	9611-25-381-1	9611-25-381-1	9611-25-381-2	9611-25-381-3	9611-25-381-4	9611-25-381-6
	1	Seal ring, FPM ...	9611-25-382-0	9611-25-382-1	9611-25-382-1	9611-25-382-2	9611-25-382-3	9611-25-382-4	9611-25-382-6
8Δ	1	O-ring, EPDM	9611-99-0063	9611-99-0015	9611-99-0015	9611-99-0064	9611-99-0065	9611-99-0066	9611-99-0067
	1	O-ring, NBR	9611-99-1410	9611-99-1411	9611-99-1411	9611-99-1412	9611-99-1413	9611-99-1414	9611-99-1415
	1	O-ring, FPM	9611-99-1417	9611-99-1418	9611-99-1418	9611-99-1419	9611-99-1420	9611-99-1421	9611-99-1422
9	1	Spring	9611-99-1677	9611-99-1678	9611-99-1678	9611-99-1679	9611-99-1680	9611-99-1681	9611-99-2031

5

DIN for welding - AISI 304

Pos.	Qty.	Denomination	9612-2200-40 DN 25	9612-2200-41 DN 32	9612-2200-42 DN 40	9612-2200-43 DN 50	9612-2200-44 DN 65	9612-2200-45 DN 80	9612-2200-46 DN 100
1	1	Valve body	9612-2214-01	9612-2214-02	9612-2214-03	9612-2214-04	9612-2214-05	9612-2214-06	9612-2214-07
2	1	Welding liner	9612-2215-01	9612-2215-02	9612-2215-03	9612-2215-04	9612-2215-05	9612-2215-06	9612-2215-07
3	1	Valve cone	9612-2207-01	9612-2207-02	9612-2207-02	9612-2207-03	9612-2207-04	9612-2207-05	9612-2207-06
4	1	Guide plate	9612-2208-01	9612-2208-02	9612-2208-02	9612-2208-03	9612-2208-04	9612-2208-05	9612-2208-06
5	1	Clamp ring	9611-31-105-2	9611-31-105-3	9611-31-105-3	9611-31-105-4	9611-31-105-5	9611-31-105-6	9611-31-105-7
6Δ	1	Seal ring, EPDM	9611-25-315-0	9611-25-315-1	9611-25-315-1	9611-25-315-2	9611-25-315-3	9611-25-315-4	9611-25-315-6
	1	Seal ring, NBR ...	9611-25-381-0	9611-25-381-1	9611-25-381-1	9611-25-381-2	9611-25-381-3	9611-25-381-4	9611-25-381-6
	1	Seal ring, FPM ...	9611-25-382-0	9611-25-382-1	9611-25-382-1	9611-25-382-2	9611-25-382-3	9611-25-382-4	9611-25-382-6
8Δ	1	O-ring, EPDM	9611-99-0063	9611-99-0015	9611-99-0015	9611-99-0064	9611-99-0065	9611-99-0066	9611-99-0067
	1	O-ring, NBR	9611-99-1410	9611-99-1411	9611-99-1411	9611-99-1412	9611-99-1413	9611-99-1414	9611-99-1415
	1	O-ring, FPM	9611-99-1417	9611-99-1418	9611-99-1418	9611-99-1419	9611-99-1420	9611-99-1421	9611-99-1422
9	1	Spring	9611-99-1677	9611-99-1678	9611-99-1678	9611-99-1679	9611-99-1680	9611-99-1681	9611-99-2031
Δ		Service kit EPDM	9611-92-4005	9611-92-4006	9611-92-4006	9611-92-4007	9611-92-4008	9611-92-4009	9611-92-4010
Δ		Service kit NBR ..	9611-92-4011	9611-92-4012	9611-92-4012	9611-92-4013	9611-92-4014	9611-92-4015	9611-92-4016
Δ		Service kit FPM ..	9611-92-4017	9611-92-4018	9611-92-4018	9611-92-4019	9611-92-4020	9611-92-4021	9611-92-4022

Parts marked with Δ are included in the **Service kit**.

NB: Following parts from LKC-2 are interchangeable with LKC-1 for size DN25 to DN80.

Pos. 3 Valve cone
Pos. 4 Guide plate

Recommended spare parts: **Service kits**.

How to contact Alfa Laval

Contact details for all countries are continually updated on our website. Please visit www.alfalaval.com to access the information direct.