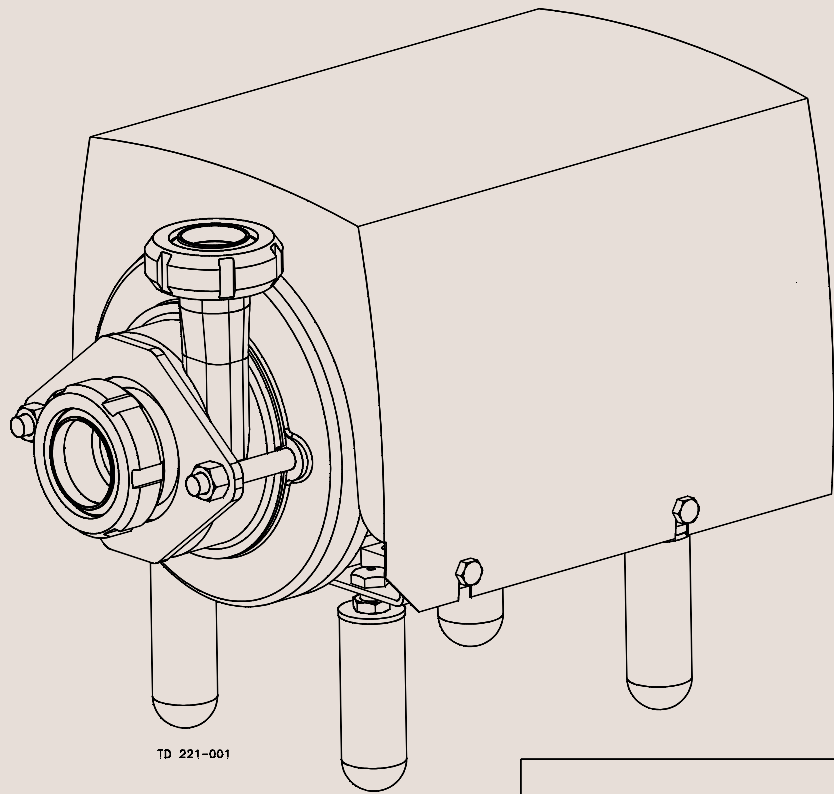




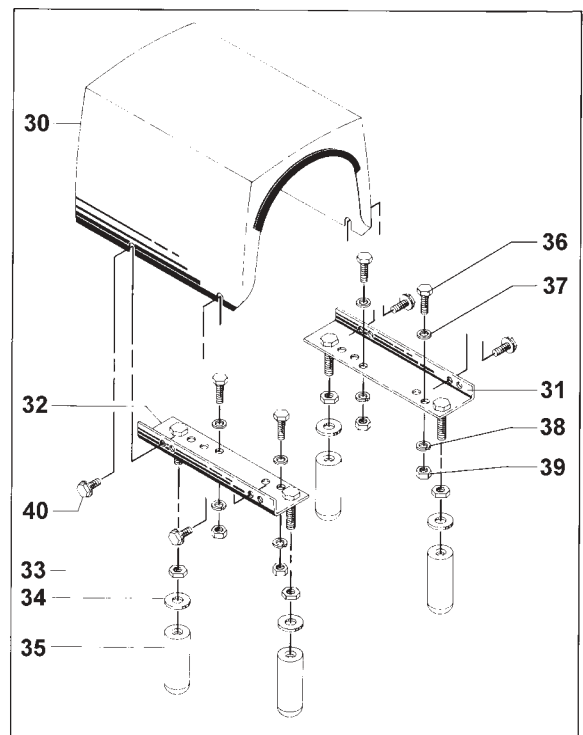
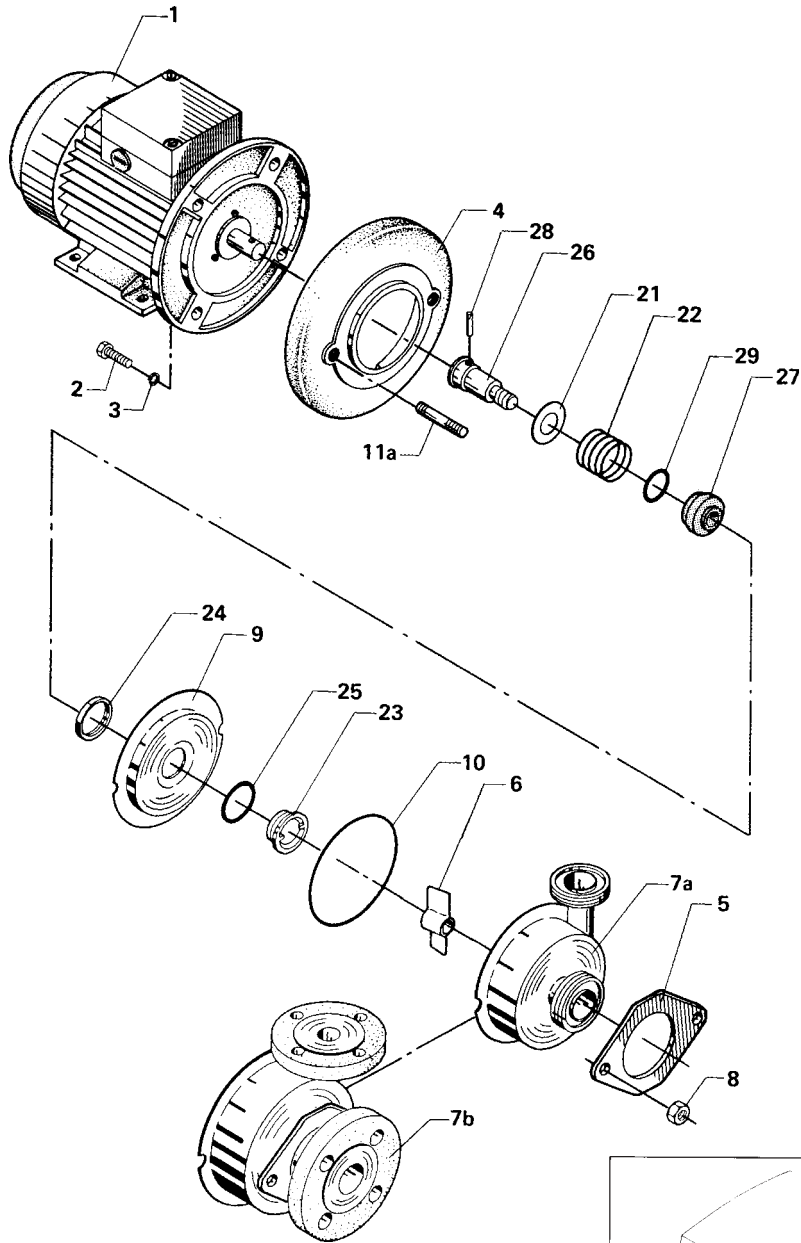
Spare Parts

FM-OS Centrifugal Pump



Centrifugal Pump Type FM-0S

2



Centrifugal Pump Type FM-0S

Single Shaft Seal

Pos.	Qty.	Denomination	FM-0S/95 FM-0S/115
1	1	Motor 1.1 kW 220-240/380-420 V (Standard)	31801-2062-1
2	4	Screw	9611-99-1823
3	4	Spring washer	9611-99-1887
4	1	Adaptor	31457-0062-1
5	1	Yoke	31457-0050-1
6*	1	Impeller, diameter 95 mm (standard) .	9612-1868-02
	1	Impeller 4 bladed, diameter 95 mm	9612-3550-01
	1	Impeller, diameter 115 mm (standard) ...	9612-1868-01
	1	Impeller 4 bladed, diameter 115 mm ...	9612-3549-01
7a	1	Pump casing with sanitary fittings 51 mm inlet and outlet ISO male	31457-0038-1
		SMS	31457-0038-2
		DIN	31457-0038-3
		ISO clamp	31457-0038-4
		BS	31457-0038-5
7b	1	Pump casing with flanges DN 50 inlet/DN 40 outlet	31457-0067-1
8	2	Nut	9611-99-0587
9	1	Back plate	31456-0035-1
10Δ	1	O-ring, NBR (Standard)	223412-75
	1	O-ring, EPDM	2234121-75
	1	O-ring, FPM	223412-76
	1	O-ring, PTFE	31456-0060-1
11a	2	Stud bolt	31457-0051-1
21	1	Thrower	31457-0025-1
24	1	Nut	31437-0120-1
26	1	Pump shaft	31457-0064-1
28	1	Tubular spring pin	222119-27
* Sometimes reduced impeller diameter. Check the diameter of the original impeller.			
Shroud and legs			
30	1	Shroud complete	31457-0106-1
31	1	Support bar, left	31457-0105-1
32	1	Support bar, right	31457-0105-2
33	4	Nut	9611-99-1829
34	4	Washer	31460-0104-1
35	4	Leg	31460-1248-1
36	4	Screw	9611-99-1824
37	4	Washer	9611-99-1831
38	4	Washer	9611-99-1888
39	4	Nut	9611-99-0360
40	4	Screw	9611-99-3240
Optional extras			
	1	Shroud and legs kit	9611-92-1045
Δ		Service kit, NBR.	9611-92-1050
Δ		Service kit, EPDM.	9611-92-1051
Δ		Service kit, FPM.	9611-92-1052
Δ		Service kit, PTFE.	9611-92-1053

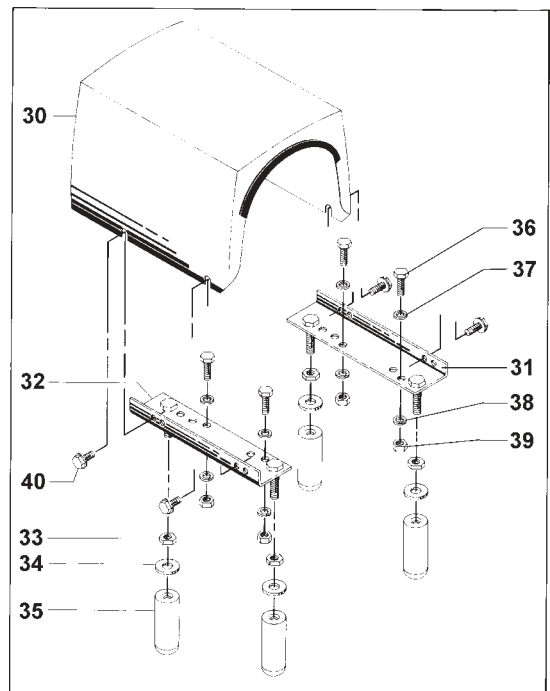
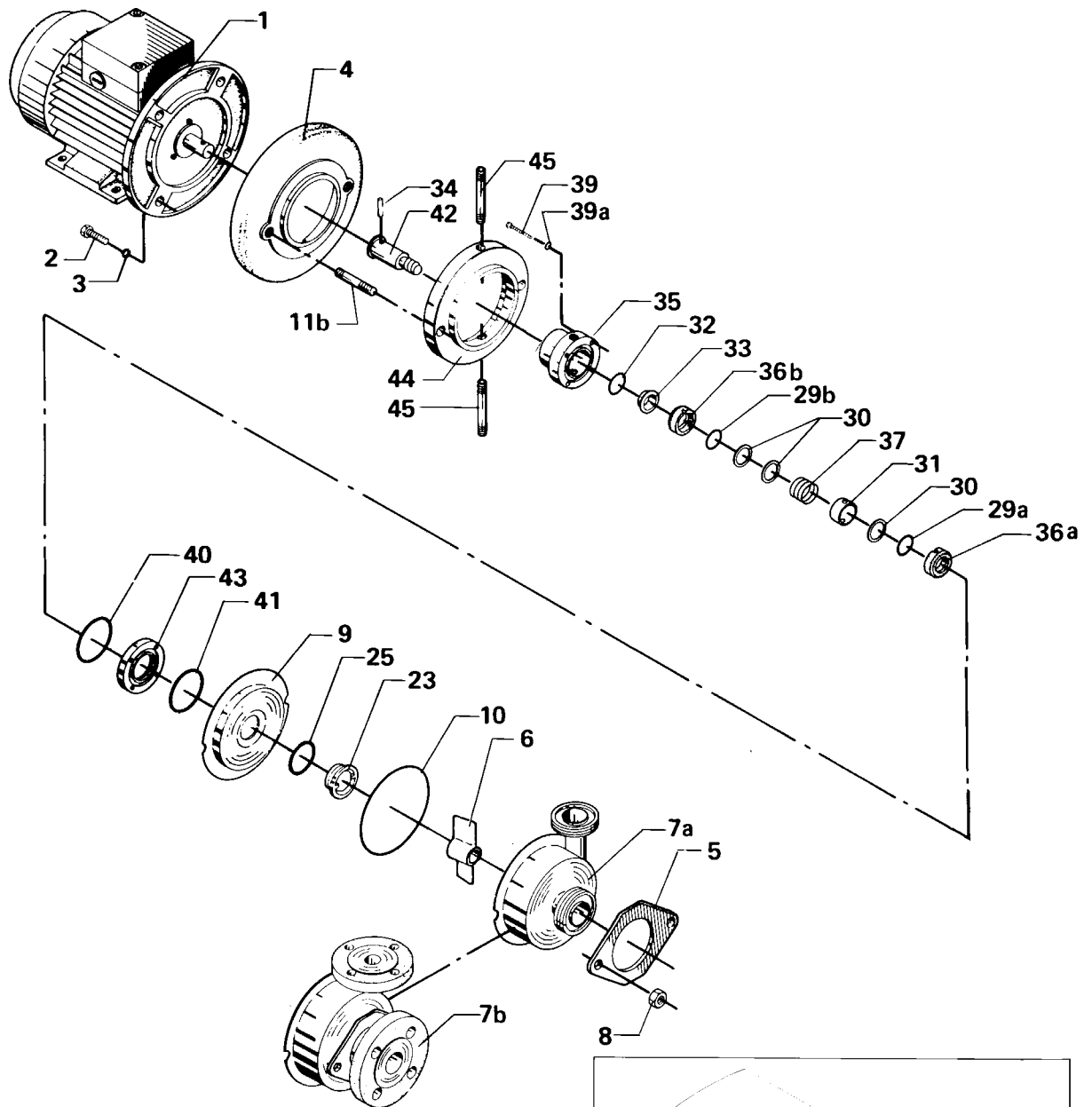
Parts marked with Δ are included in the **Service kits**.

Recommended spare parts: **Service kit**.

Pos.	Qty.	Denomination	FM-0S/95 FM-0S/115
Δ		Shaft seal, complete, NBR (Standard)	9612-4392-01
22	1	Spring	31438-0057-1
23	1	Stationary seal ring SiC.	31437-0225-1
25	1	Seal	31437-0121-1
27	1	Rotating seal ring	31439-0165-1
29	1	O-ring	31439-0168-1
Δ		Shaft seal, complete, EPDM	9612-4392-03
22	1	Spring	31438-0057-1
23	1	Stationary seal ring SiC.	31437-0225-1
25	1	Seal	31437-0121-3
27	1	Rotating seal ring	31439-0165-1
29	1	O-ring	31439-0168-4
Δ		Shaft seal, complete, FPM	9612-4392-04
22	1	Spring	31438-0057-1
23	1	Stationary seal ring SiC.	31437-0225-1
25	1	Seal	31437-0121-3
27	1	Rotating seal ring	31439-0165-1
29	1	O-ring	31439-0168-5
Δ		Shaft seal, complete, PTFE	9612-4392-02
22	1	Spring	31438-0057-1
23	1	Stationary seal ring SiC.	31437-0225-1
25	1	Seal	31437-0121-3
27	1	Rotating seal ring	31439-0165-1
29	1	O-ring	31439-0168-3
Alternatives			
		Shaft seal, complete, NBR (Standard) ...	9612-4392-05
22	1	Spring	31438-0057-1
23	1	Stationary seal ring SiC.	31437-0225-1
25	1	Seal	31437-0121-1
27	1	Rotating seal ring SiC.	31439-0165-4
29	1	O-ring	31439-0168-1
		Shaft seal, complete, EPDM	9612-4392-07
22	1	Spring	31438-0057-1
23	1	Stationary seal ring SiC.	31437-0225-1
25	1	Seal	31437-0121-3
27	1	Rotating seal ring SiC.	31439-0165-4
29	1	O-ring	31439-0168-4
		Shaft seal, complete, FPM	9612-4392-08
22	1	Spring	31438-0057-1
23	1	Stationary seal ring SiC.	31437-0225-1
25	1	Seal	31437-0121-3
27	1	Rotating seal ring SiC.	31439-0165-4
29	1	O-ring	31439-0168-5
		Shaft seal, complete, PTFE	9612-4392-06
22	1	Spring	31438-0057-1
23	1	Stationary seal ring SiC.	31437-0225-1
25	1	Seal	31437-0121-3
27	1	Rotating seal ring SiC.	31439-0165-4
29	1	O-ring	31439-0168-3

Centrifugal Pump Type FM-0S

4



Centrifugal Pump Type FM-0S

Double Shaft Seal

Pos.	Qty.	Denomination	FM-0S/95 FM-0S/115	Pos.	Qty.	Denomination	FM-0/95 FM-0/115
1	1	Motor 1.1 kW	31801-2062-1	Δ Shaft seal, complete, NBR (Standard) .			9612-4393-01
		220-240/380-420 V (Standard)		23	1	Stationary seal ring SiC.	31437-0225-1
2	4	Screw	9611-99-1823	25	1	Seal	31437-0121-1
3	4	Spring washer	9611-99-1887	29a	1	O-ring, front	31439-0168-1
4	1	Adaptor	31457-0062-1	29b	1	O-ring, back	31439-0168-1
5	1	Yoke	31457-0050-1	30	3	Washer	104125
6*	1	Impeller, diameter 95 mm (standard)	9612-1868-02	31	1	Spacer	31437-0212-1
	1	Impeller 4 bladed, diameter 95 mm	9612-3550-01	32	1	O-ring	223406-51
	1	Impeller, diameter 115 mm (standard)	9612-1868-01	33	1	Stationary seal ring	31450-0007-1
	1	Impeller 4 bladed, diameter 115 mm	9612-3549-01	36a+b	2	Rotating seal ring	31437-0211-1
7a	1	Pump casing with sanitary fittings 51 mm inlet and outlet		37	1	Spring	104154
		ISO male	31457-0038-1	40	1	O-ring	223406-60
		SMS	31457-0038-2	41	1	O-ring	223406-58
		DIN	31457-0038-3	Δ Shaft seal, complete, EPDM			9612-4393-03
		ISO clamp	31457-0038-4	23	1	Stationary seal ring SiC.	31437-0225-1
		BS	31457-0038-5	25	1	Seal	31437-0121-3
7b	1	Pump casing with flanges DN 50 inlet/DN 40 outlet	31457-0067-1	29a	1	O-ring, front	31439-0168-4
8	2	Nut	9611-99-0587	29b	1	O-ring, back	31439-0168-4
9	1	Back plate	31456-0035-1	30	3	Washer	104125
10Δ	1	O-ring, NBR (Standard)	223412-75	31	1	Spacer	31437-0212-1
	1	O-ring, EPDM	2234121-75	32	1	O-ring	223406-51
	1	O-ring, FPM	223412-76	33	1	Stationary seal ring	31450-0007-1
	1	O-ring, PTFE	31456-0060-1	36a+b	2	Rotating seal ring	31437-0211-1
11b	2	Stud bolt	31457-0051-2	37	1	Spring	104154
34	1	Tubular spring pin	222119-20	40	1	O-ring	223406-60
35	1	Seal housing	31439-0114-1	41	1	O-ring	223406-58
39	4	Screw	9611-99-0208	Δ Shaft seal, complete, FPM			9612-4393-04
39a	4	Washer	9611-99-0800	23	1	Stationary seal ring SiC.	31437-0225-1
42	1	Pump shaft	31457-0068-1	25	1	Seal	31437-0121-3
43	1	Fastening ring	31439-0113-1	29a	1	O-ring, front	31439-0168-5
44	1	Intermediate flange	31457-0054-1	29b	1	O-ring, back	31439-0168-5
45	2	Flushing tube	9612-3589-06	30	3	Washer	104125
46	1	Assembly mandrel (not shown)	31439-0118-1	31	1	Spacer	31437-0212-1
				32	1	O-ring	223406-51
				33	1	Stationary seal ring	31450-0007-1
				36a+b	2	Rotating seal ring	31437-0211-1
				37	1	Spring	104154
				40	1	O-ring	223406-60
				41	1	O-ring	223406-58
				Δ Shaft seal, complete, PTFE			9612-4393-02
				23	1	Stationary seal ring SiC.	31437-0225-1
				25	1	Seal	31437-0121-3
				29a	1	O-ring, front	31439-0168-3
				29b	1	O-ring, back	31439-0168-1
				30	3	Washer	104125
				31	1	Spacer	31437-0212-1
				32	1	O-ring	223406-51
				33	1	Stationary seal ring	31450-0007-1
				36a+b	2	Rotating seal ring	31437-0211-1
				37	1	Spring	104154
				40	1	O-ring	223406-60
				41	1	O-ring	223406-58
* Sometimes reduced impeller diameter. Check the diameter of the original impeller.							
Shroud and legs							
30	1	Shroud complete	31457-0106-1				
31	1	Support bar, left	31457-0105-1				
32	1	Support bar, right	31457-0105-2				
33	4	Nut	9611-99-1829				
34	4	Washer	31460-0104-1				
35	4	Leg	31460-1248-1				
36	4	Screw	9611-99-1824				
37	4	Washer	9611-99-1831				
38	4	Washer	9611-99-1888				
39	4	Nut	9611-99-0360				
40	4	Screw	9611-99-3240				
Optional extras							
	1	Shroud and legs	9611-92-1045				
Δ		Service kit, NBR.	9611-92-1054				
Δ		Service kit, EPDM.	9611-92-1055				
Δ		Service kit, FPM.	9611-92-1056				
Δ		Service kit, PTFE.	9611-92-1057				

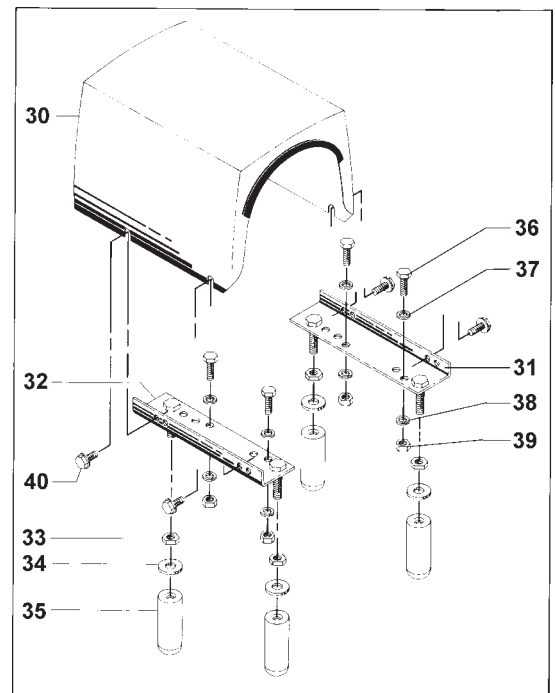
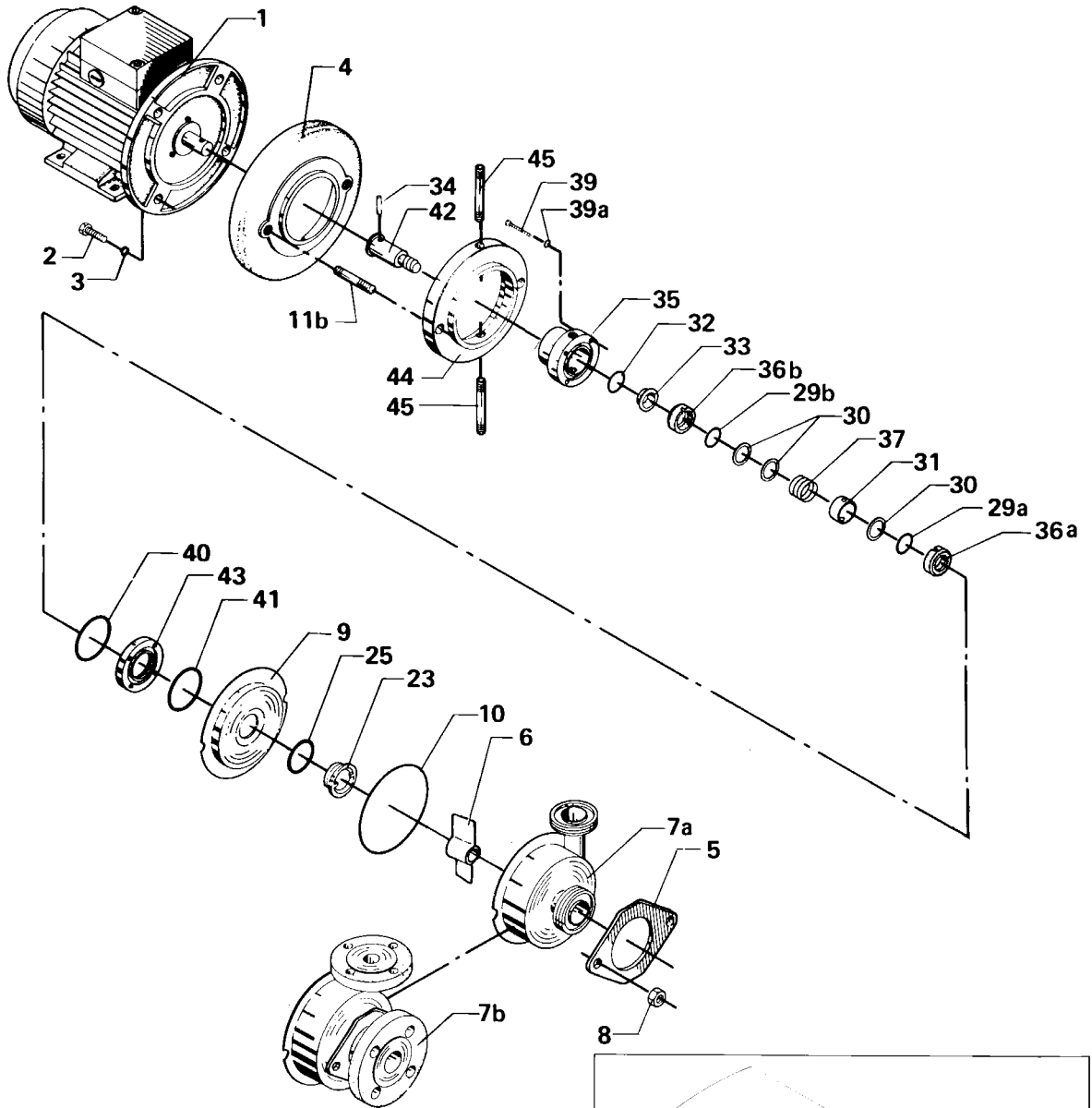
Parts marked with Δ are included in the **Service kits**.

Recommended spare parts: **Service kit**.

Centrifugal Pump Type FM-0S

(Same drawing as on page 4)

6



Centrifugal Pump Type FM-0S

Double Shaft Seal

Pos.	Qty.	Denomination	FM-0/95 FM-0/115

Alternatives

Shaft seal, complete, NBR (Standard) 9612-4393-05			
23	1	Stationary seal ring SiC.	31437-0225-1
25	1	Seal	31437-0121-1
29a	1	O-ring, front	31439-0168-1
29b	1	O-ring, back	31439-0168-1
30	3	Washer	104125
31	1	Spacer	31437-0212-1
32	1	O-ring	223406-51
33	1	Stationary seal ring	31450-0007-1
36a	1	Rotating seal ring SiC.	31437-0211-4
36b	1	Rotating seal ring	31437-0211-1
37	1	Spring	104154
40	1	O-ring	223406-60
41	1	O-ring	223406-58

Shaft seal, complete, EPDM			
23	1	Stationary seal ring SiC.	31437-0225-1
25	1	Seal	31437-0121-3
29a	1	O-ring, front	31439-0168-4
29b	1	O-ring, back	31439-0168-4
30	3	Washer	104125
31	1	Spacer	31437-0212-1
32	1	O-ring	223406-51
33	1	Stationary seal ring	31450-0007-1
36a	1	Rotating seal ring SiC.	31437-0211-4
36b	1	Rotating seal ring	31437-0211-1
37	1	Spring	104154
40	1	O-ring	223406-60
41	1	O-ring	223406-58

Shaft seal, complete, FPM			
23	1	Stationary seal ring SiC.	31437-0225-1
25	1	Seal	31437-0121-3
29a	1	O-ring, front	31439-0168-5
29b	1	O-ring, back	31439-0168-5
30	3	Washer	104125
31	1	Spacer	31437-0212-1
32	1	O-ring	223406-51
33	1	Stationary seal ring	31450-0007-1
36a	1	Rotating seal ring SiC.	31437-0211-4
36b	1	Rotating seal ring	31437-0211-1
37	1	Spring	104154
40	1	O-ring	223406-60
41	1	O-ring	223406-58

Shaft seal, complete, PTFE			
23	1	Stationary seal ring SiC.	31437-0225-1
25	1	Seal	31437-0121-3
29a	1	O-ring, front	31439-0168-3
29b	1	O-ring, back	31439-0168-1
30	3	Washer	104125
31	1	Spacer	31437-0212-1
32	1	O-ring	223406-51
33	1	Stationary seal ring	31450-0007-1
36a	1	Rotating seal ring SiC.	31437-0211-4
36b	1	Rotating seal ring	31437-0211-1
37	1	Spring	104154
40	1	O-ring	223406-60
41	1	O-ring	223406-58

How to contact Alfa Laval
Contact details for all countries are
continually updated on our website.
Please visit www.alfalaval.com to
access the information direct.