



Spare Parts

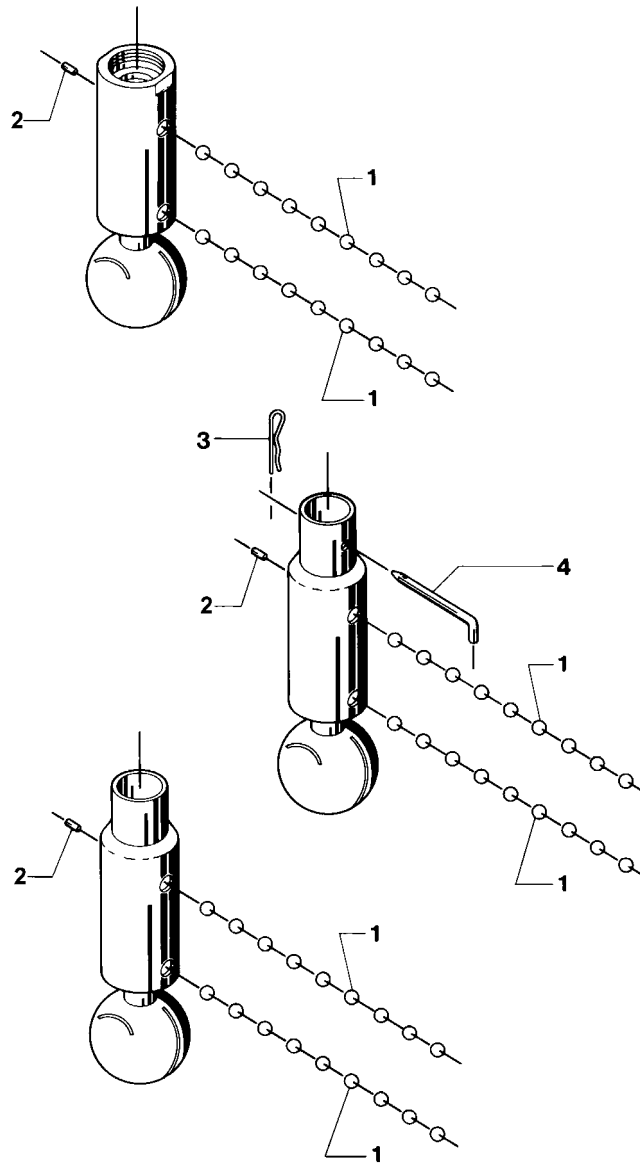
LKSB and LKRK Rotary Spray Balls



SP70712-GB1 2002-11

Rotary Spray Ball Type LKSB

2

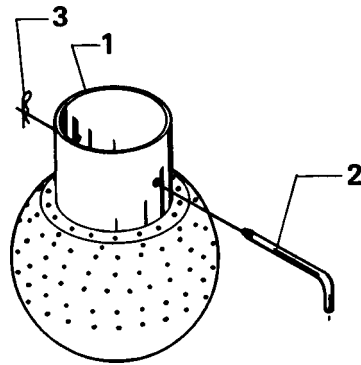


Rotary Spray Ball Type LKSB

Pos.	Qty.	Denomination	Dia. 45	Dia. 65
1 ^o	1	Ball bearings (one ball race)		
2 ^o	1	Stop pin	9612-4098-01	9612-4098-01
3	1	Split pin	9611-71-122-0	9611-71-122-0
4	1	Lock pin	9611-71-120-0	9611-71-120-0
o		Ball bearing kit	9611-99-2965	9611-99-2966

Spray Ball Type LKRK

4



Spray Ball Type LKRK

Inch Tube -AISI 316

Pos.	Qty.	Denomination	Diam. 64 2 mm holes	Diam. 94 2mm holes	Diam. 94 3 mm holes
1	1	Bottom drilled ball			
1	1	Top drilled ball			
1	1	Fully drilled ball			
2	1	Lock pin	9611-71-120-0	9611-71-121-0	9611-71-121-0
3	1	Split pin	9611-71-122-0	9611-71-122-0	9611-71-122-0

5

DIN Tube -AISI 316

Pos.	Qty.	Denomination	Diam. 64 2 mm holes	Diam. 94 2mm holes	Diam. 94 3 mm holes
1	1	Bottom drilled ball			
1	1	Top drilled ball			
1	1	Fully drilled ball			
2	1	Lock pin	9611-71-120-0	9611-71-121-0	9611-71-121-0
3	1	Split pin	9611-71-122-0	9611-71-122-0	9611-71-122-0

Recommende spare parts: Pos. 2, 3.

How to contact Alfa Laval
Contact details for all countries are
continually updated on our website.
Please visit www.alfalaval.com to
access the information direct.