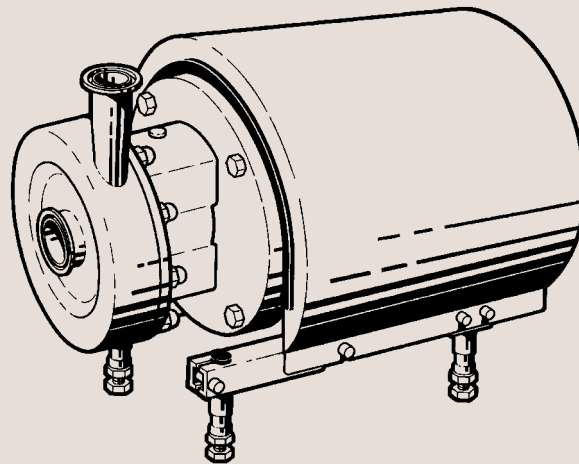




Spare Parts

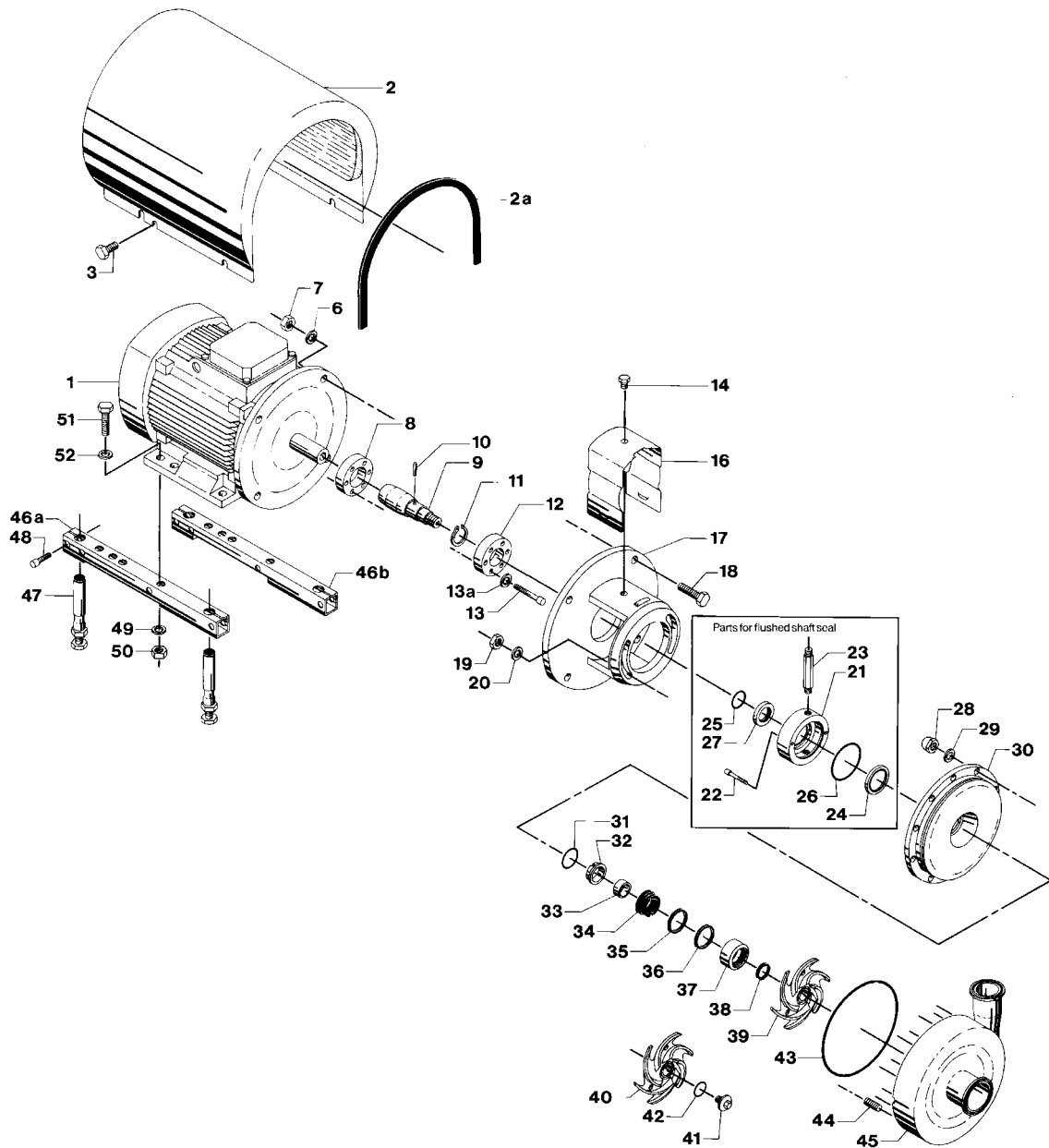
LKHP Pump for High Inlet Pressure



SP70796-GB4 2002-11

Pump for High Inlet Pressure, Type LKHP-10 Single and Flushed Shaft Seal

2



Pump for High Inlet Pressure, Type LKHP-10 Single and Flushed Shaft Seal

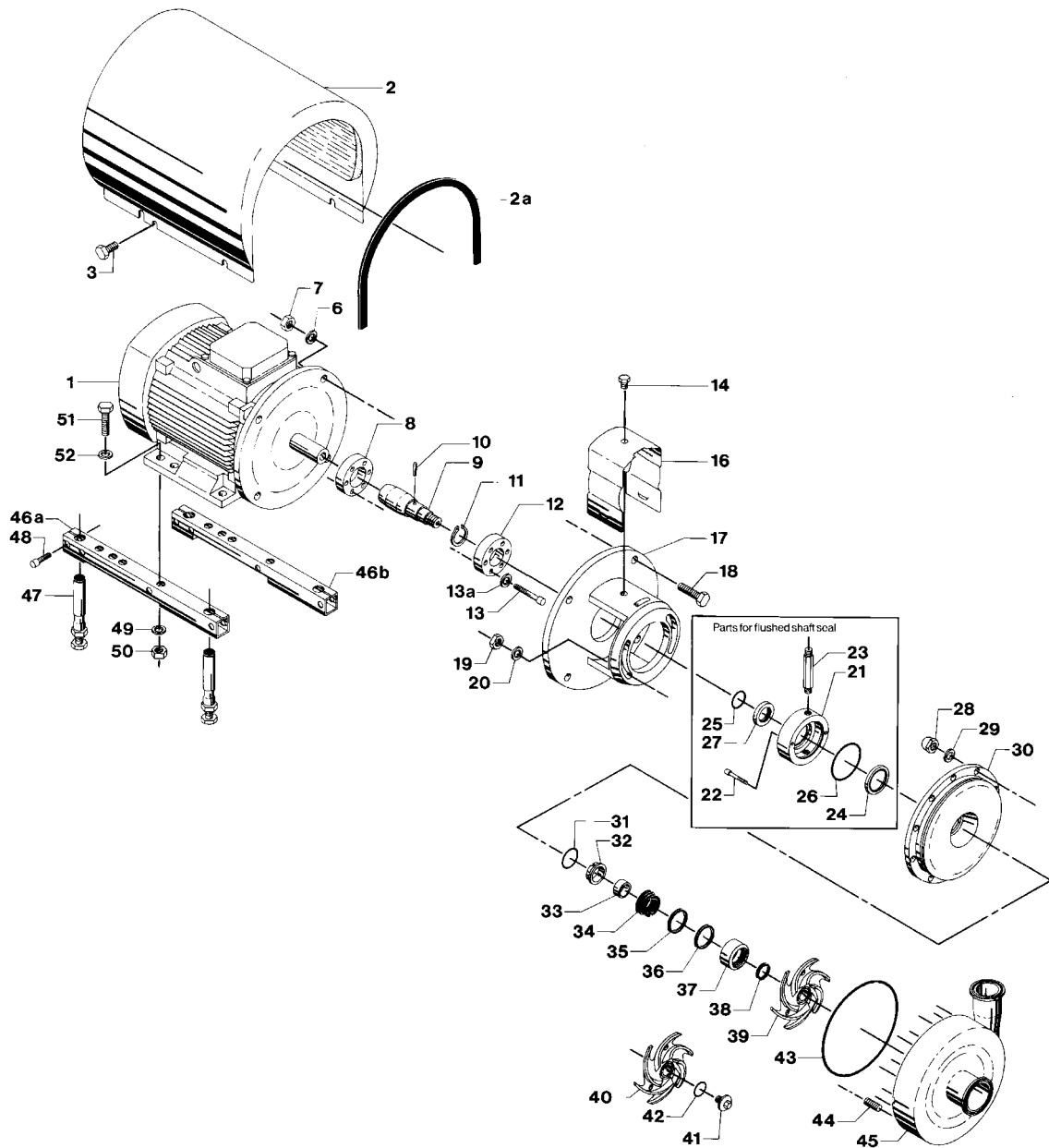
Pos.	Qty.	Denomination	1.5-2.2 kW	4 kW
3	4	Screw	9611-99-3240	9611-99-3240
6	4	Washer for adaptor	9611-99-1887	9611-99-0676
7	4	Nut for adaptor	9611-99-0353	9611-99-0587
8	1	Compression ring with thread	9612-1336-01	9612-1336-02
9	1	Shaft with internal/external thread and pin (pos.10)		9612-1325-02
	1	Shaft with internal/external thread, pin (pos.10) and retaining ring (pos.11)	9612-1324-02	
10	1	Connex pin	9611-99-0622	9611-99-0622
11	1	Retaining ring	9611-99-2307	
12	1	Compression ring without thread	9612-1337-01	9612-1337-02
13	6	Screw	9611-99-3196	9611-99-3196
13a	6	Washer	9611-99-3199	9611-99-3199
14	1	Screw for safety guard	9611-99-3239	9611-99-3239
16	1	Safety guard	9612-1311-05	9612-1311-06
17	1	Adaptor	9612-3423-01	9612-3424-01
18	4	Screw for adaptor	9611-99-2161	9611-99-1834
19	2	Nut	9611-99-0353	9611-99-0353
20	2	Washer	9611-99-2559	9611-99-2559
28	10	Cap nut	9611-99-2592	9611-99-2592
29	10	Washer	9611-99-1888	9611-99-1888
30	1	Back plate	9612-4837-01	9612-4837-01
33	1	Spacing ring	9612-3625-02	9612-3625-02
37	1	Rotating seal housing	9612-3624-01	9612-3624-01
39	1	Impeller	9612-4081-07	9612-4081-01
43	1	Joint ring, EPDM, (standard)	9611-99-2137	9611-99-2137
	1	Joint ring, NBR	9611-99-2139	9611-99-2139
	1	Joint ring, FPM	9611-99-2138	9611-99-2138
44	10	Bolt	9611-99-2168	9611-99-2168
45	1	Pump casing, Flange	9612-4840-01	9612-4840-01
	1	Pump casing, Clamp	9612-4840-06	9612-4840-06
Legs				
46a	1	Support bar, right	9612-1322-01	9612-1322-05
46b	1	Support bar, left	9612-1323-01	9612-1323-05
47	4	Leg	9612-3967-01	9612-3967-01
48	4	Screw (Period 9711-)	9611-99-1126	9611-99-1126
	4	Screw (Period -9711)	9611-99-1907	9611-99-1907
49	4	Spring washer	9611-99-1888	9611-99-1887
50	4	Nut	9611-99-0360	9611-99-0353
51	4	Screw	9611-99-3241	9611-99-1911
52	4	Washer		9611-99-0786
Alternatives				
40	1	Impeller for impeller screw	9612-4081-08	9612-4081-02
41	1	Impeller screw	9612-1396-01	9612-1396-01
42	1	O-ring, EPDM	9611-99-2145	9611-99-2145
	1	O-ring, NBR	9611-99-2147	9611-99-2147
	1	O-ring, FPM	9611-99-2146	9611-99-2146

Recommended Spare Parts: Service kits.

Pump for High Inlet Pressure, Type LKHP-10 Single and Flushed Shaft Seal

(Same drawing as on page 2)

4



Pump for High Inlet Pressure, Type LKHP-10 Single and Flushed Shaft Seal

Pos.	Qty.	Denomination	1.5-4 kW	Pos.	Qty.	Denomination	1.5-4 kW
Parts for flushed shaft seal							
21	1	Seal housing for flushed seal	9612-3626-02	◆*	1	Shaft seal complete, NBR	9612-3622-11
22	2	Screw	9611-99-4038	24	1	Lip seal	9611-99-2860
23	2	Tube	9612-3589-01	25	1	O-ring, EPDM	9611-99-2754
27	1	Sleeve	9612-3629-02	26	1	O-ring, EPDM	9611-99-2753
Single shaft seal							
□○		Shaft seal complete, EPDM (Standard)	9612-3622-04	31	1	O-ring	9611-99-2728
31	1	O-ring	9611-99-2727	32	1	Stationary seal ring, SiC.	9612-3633-01
32	1	Stationary seal ring, SiC.	9612-3633-01	34	1	Rotating seal ring, SiC.	9612-3634-02
34	1	Rotating seal ring, SiC.	9612-3634-02	35	1	Quad ring	9611-99-2730
35	1	Quad ring	9611-99-2730	36	1	PTFE support ring	9612-4571-01
36	1	PTFE support ring	9612-4571-01	38	1	Quad ring	9611-99-2734
38	1	Quad ring	9611-99-2733	◆* Shaft seal complete, FPM			
□○		Shaft seal complete, NBR	9612-3622-05	24	1	Lip seal	9611-99-2860
31	1	O-ring	9611-99-2728	25	1	O-ring, EPDM	9611-99-2754
32	1	Stationary seal ring, SiC.	9612-3633-01	26	1	O-ring, EPDM	9611-99-2753
34	1	Rotating seal ring, SiC.	9612-3634-02	31	1	O-ring	9611-99-2729
35	1	Quad ring	9611-99-2731	32	1	Stationary seal ring, SiC.	9612-3633-01
36	1	PTFE support ring	9612-4571-01	34	1	Rotating seal ring, SiC.	9612-3634-02
38	1	Quad ring	9611-99-2734	35	1	Quad ring	9611-99-2732
□○		Shaft seal complete, FPM	9612-3622-06	36	1	PTFE support ring	9612-4571-01
31	1	O-ring	9611-99-2729	38	1	Quad ring	9611-99-2735
32	1	Stationary seal ring, SiC.	9612-3633-01	Service kit for single shaft seal			
34	1	Rotating seal ring, SiC.	9612-3634-02	□		Service kit, EPDM	9611-92-2139
35	1	Quad ring	9611-99-2732	□		Service kit, NBR	9611-92-2140
36	1	PTFE support ring	9612-4571-01	□		Service kit, FPM	9611-92-2141
38	1	Quad ring	9611-99-2735	Service kit for single shaft seal and impeller screw			
Flushed shaft seal				○		Service kit, EPDM	9611-92-2142
◆*		Shaft seal complete, EPDM (Standard)	9612-3622-10	○		Service kit, NBR	9611-92-2143
24	1	Lip seal	9611-99-2860	○		Service kit, FPM	9611-92-2144
25	1	O-ring, EPDM	9611-99-2754	Service kit for flushed shaft seal			
26	1	O-ring, EPDM	9611-99-2753	◆		Service kit, EPDM	9611-92-2145
31	1	O-ring	9611-99-2727	◆		Service kit, NBR	9611-92-2146
32	1	Stationary seal ring, SiC.	9612-3633-01	◆		Service kit, FPM	9611-92-2147
34	1	Rotating seal ring, SiC.	9612-3634-02	Service kit for flushed shaft seal and impeller screw			
35	1	Quad ring	9611-99-2730	*		Service kit, EPDM	9611-92-2148
36	1	PTFE support ring	9612-4571-01	*		Service kit, NBR	9611-92-2149
38	1	Quad ring	9611-99-2733	*		Service kit, FPM	9611-92-2150
Parts marked with □/○/◆/* are included in the service kits .							
Conversion kit, single to flushed shaft seal 9611-92-2177 = Pos. 21, 22, 23, 24, 25, 26 and 27.							

Pos.	Qty.	Denomination	1.5 kW	2.2 kW	4 kW
1	1	*Motor 220/240 VD	9612-4189-01	9612-4189-03	9612-4189-07
	1	*Motor 380/420 VD	9612-4189-02	9612-4189-04	9612-4189-08
2	1	Shroud	9612-1390-01	9612-1390-01	9612-1390-03
2a	1	Edge list (Included in pos. 2)			

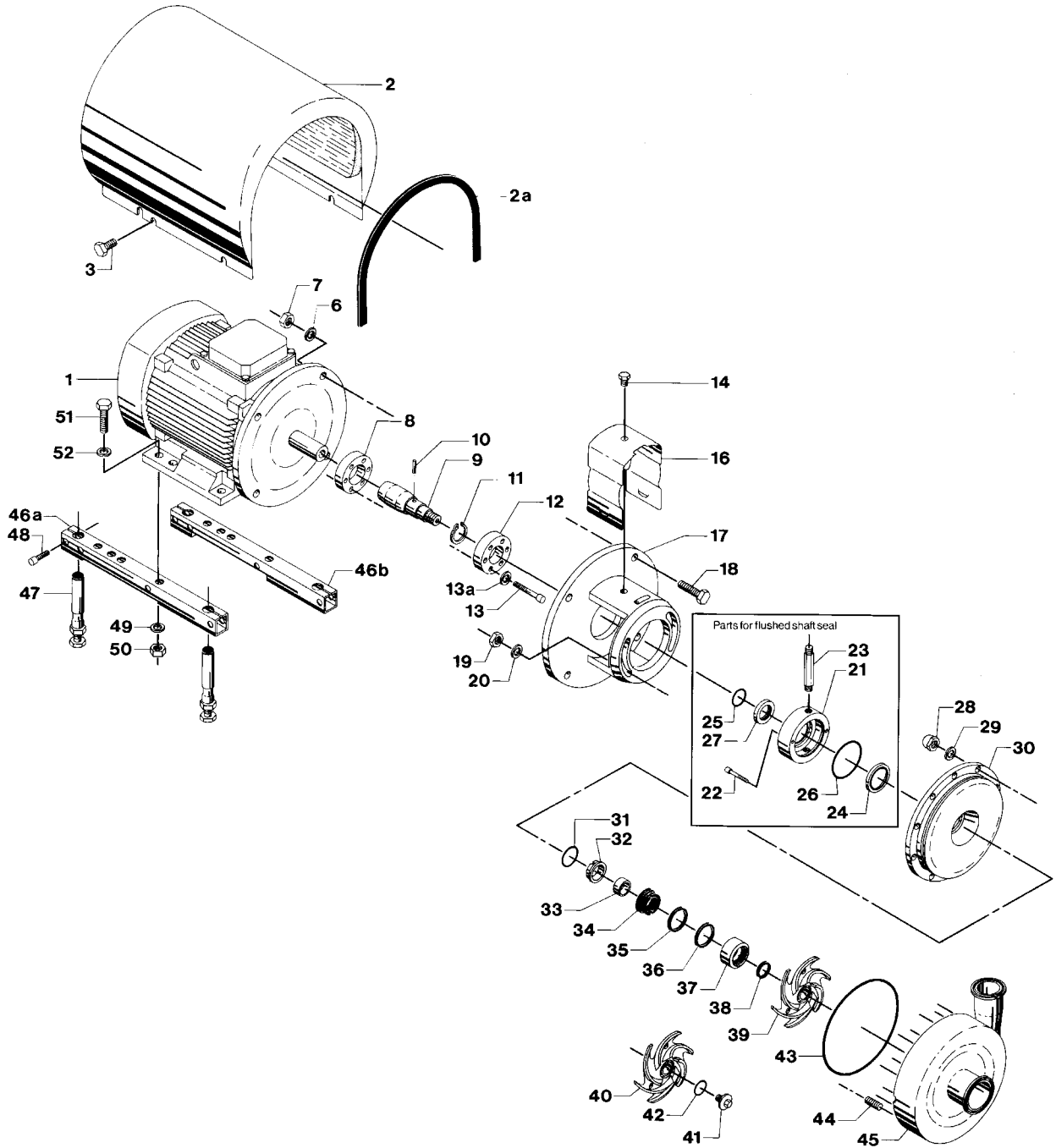
*Motors are with special ball bearing.

Surface roughness, product wetted parts: Ra ≤ 0.8 μm

Pos.	Qty.	Denomination	1.5-2.2 kW	4 kW
30	1	Back plate	9612-4837-10	9612-4837-10
39	1	Impeller	9612-4081-15	9612-4081-05
45	1	Pump casing, Flange	9612-4840-16	9612-4840-16
	1	Pump casing, Clamp	9612-4840-21	9612-4840-21
Alternatives				
40	1	Impeller for impeller screw	9612-4081-16	9612-4081-06
41	1	Impeller screw	9612-1396-03	9612-1396-03

Pump for High Inlet Pressure, Type LKHP-15 Single and Flushed Shaft Seal

6



Pump for High Inlet Pressure, Type LKHP-15 Single and Flushed Shaft Seal

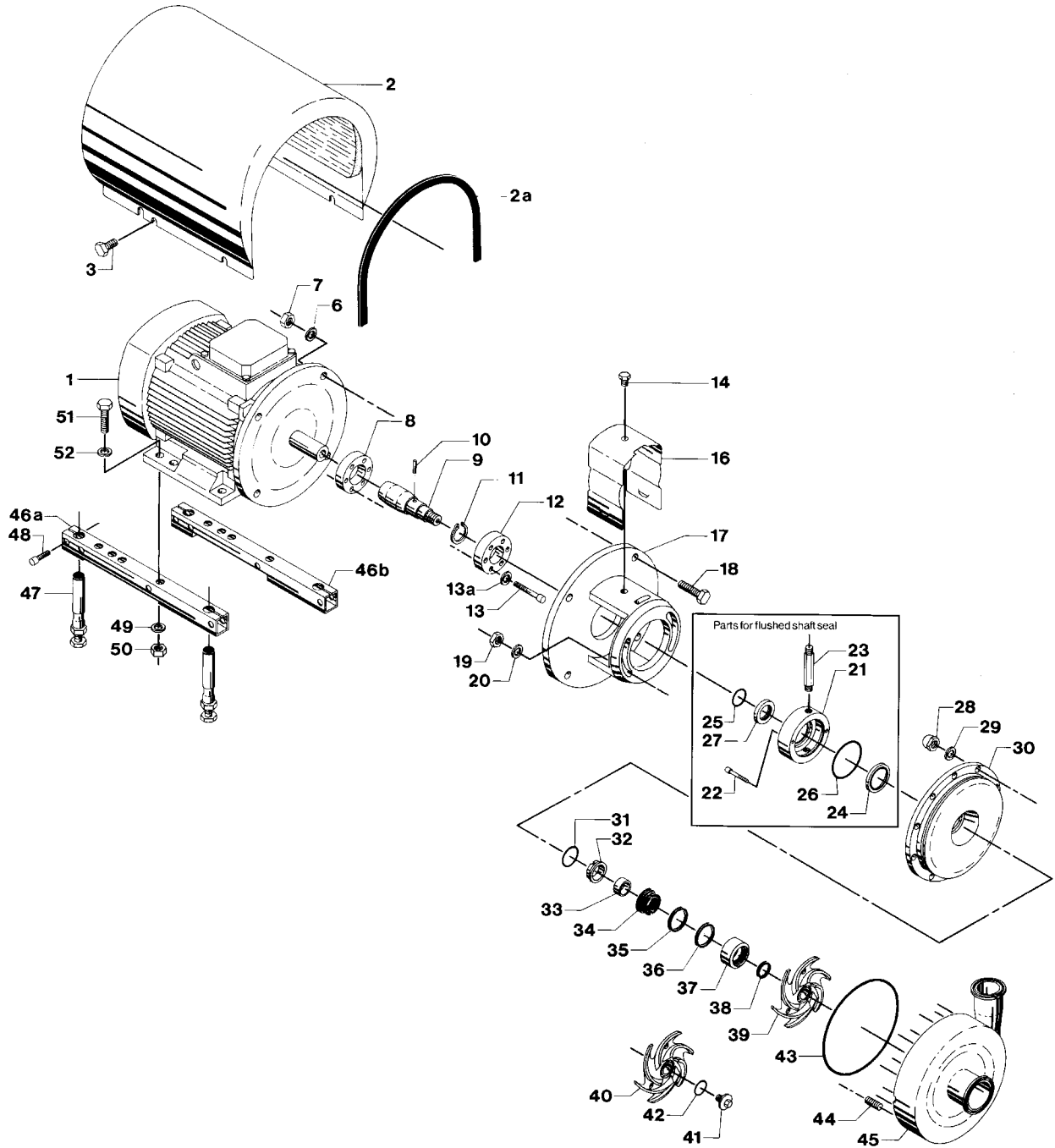
Pos.	Qty.	Denomination	1.5-2.2 kW	4 kW
3	4	Screw	9611-99-3240	9611-99-3240
6	4	Washer for adaptor	9611-99-1887	9611-99-0676
7	4	Nut for adaptor	9611-99-0353	9611-99-0587
8	1	Compression ring with thread	9612-1336-01	9612-1336-02
9	1	Shaft with internal/external thread and pin (pos.10)		9612-1325-02
	1	Shaft with internal/external thread, pin (pos.10) and retaining ring (pos.11)	9612-1324-02	
10	1	Connex pin	9611-99-0622	9611-99-0622
11	1	Retaining ring	9611-99-2307	
12	1	Compression ring without thread	9612-1337-01	9612-1337-02
13	6	Screw	9611-99-3196	9611-99-3196
13a	6	Washer	9611-99-3199	9611-99-3199
14	1	Screw for safety guard	9611-99-3239	9611-99-3239
16	1	Safety guard	9612-1311-05	9612-1311-06
17	1	Adaptor	9612-3423-01	9612-3424-01
18	4	Screw for adaptor	9611-99-2161	9611-99-1834
19	2	Nut	9611-99-0353	9611-99-0353
20	2	Washer	9611-99-2559	9611-99-2559
28	10	Cap nut	9611-99-2592	9611-99-2592
29	10	Washer	9611-99-1888	9611-99-1888
30	1	Back plate	9612-4837-01	9612-4837-01
33	1	Spacing ring	9612-3625-02	9612-3625-02
37	1	Rotating seal housing	9612-3624-01	9612-3624-01
39	1	Impeller	9612-5102-07	9612-5102-01
43	□○◆★ 1	Joint ring, EPDM, (standard)	9611-99-2137	9611-99-2137
	1	Joint ring, NBR	9611-99-2139	9611-99-2139
	1	Joint ring, FPM	9611-99-2138	9611-99-2138
44	10	Bolt	9611-99-2168	9611-99-2168
45	1	Pump casing, Flange	9612-5117-01	9612-5117-01
	1	Pump casing, Clamp	9612-5117-05	9612-5117-05
Legs				
46a	1	Support bar, right	9612-1322-01	9612-1322-05
46b	1	Support bar, left	9612-1323-01	9612-1323-05
47	4	Leg	9612-3967-01	9612-3967-01
48	4	Screw (Period 9711-)	9611-99-1126	9611-99-1126
	4	Screw (Period -9711)	9611-99-1907	9611-99-1907
49	4	Spring washer	9611-99-1888	9611-99-1887
50	4	Nut	9611-99-0360	9611-99-0353
51	4	Screw	9611-99-1176	9611-99-1911
52	4	Washer	9611-99-0786	9611-99-0786
Alternatives				
40	1	Impeller for impeller screw	9612-5102-08	9612-5102-02
41	1	Impeller screw	9612-1396-01	9612-1396-01
42	○★ 1	O-ring, EPDM	9611-99-2145	9611-99-2145
	1	O-ring, NBR	9611-99-2147	9611-99-2147
	1	O-ring, FPM	9611-99-2146	9611-99-2146

Recommended Spare Parts: Service kits.

Pump for High Inlet Pressure, Type LKHP-15 Single and Flushed Shaft Seal

(Same drawing as on page 6)

8



Pump for High Inlet Pressure, Type LKHP-15 Single and Flushed Shaft Seal

Pos.	Qty.	Denomination	1.5-4 kW	Pos.	Qty.	Denomination	1.5-4 kW	
Parts for flushed shaft seal								
21	1	Seal housing for flushed seal	9612-3626-02	◆*	1	Shaft seal complete, NBR	9612-3622-11	
22	2	Screw	9611-99-4038	24	1	Lip seal	9611-99-2860	
23	2	Tube	9612-3589-01	25	1	O-ring, EPDM	9611-99-2754	
27	1	Sleeve	9612-3629-02	26	1	O-ring, EPDM	9611-99-2753	
Single shaft seal								
□○		Shaft seal complete, EPDM (Standard)	9612-3622-04	31	1	O-ring	9611-99-2728	
31	1	O-ring	9611-99-2727	32	1	Stationary seal ring, SiC.	9612-3633-01	
32	1	Stationary seal ring, SiC.	9612-3633-01	34	1	Rotating seal ring, SiC.	9612-3634-02	
34	1	Rotating seal ring, SiC.	9612-3634-02	35	1	Quad ring	9611-99-2730	
35	1	Quad ring	9611-99-2730	36	1	PTFE support ring	9612-4571-01	
36	1	PTFE support ring	9612-4571-01	38	1	Quad ring	9611-99-2734	
38	1	Quad ring	9611-99-2733	◆* Shaft seal complete, FPM				9612-3622-12
□○		Shaft seal complete, NBR	9612-3622-05	24	1	Lip seal	9611-99-2860	
31	1	O-ring	9611-99-2728	25	1	O-ring, EPDM	9611-99-2754	
32	1	Stationary seal ring, SiC.	9612-3633-01	26	1	O-ring, EPDM	9611-99-2753	
34	1	Rotating seal ring, SiC.	9612-3634-02	31	1	O-ring	9611-99-2729	
35	1	Quad ring	9611-99-2731	32	1	Stationary seal ring, SiC.	9612-3633-01	
36	1	PTFE support ring	9612-4571-01	34	1	Rotating seal ring, SiC.	9612-3634-02	
38	1	Quad ring	9611-99-2734	35	1	Quad ring	9611-99-2732	
□○		Shaft seal complete, FPM	9612-3622-06	36	1	PTFE support ring	9612-4571-01	
31	1	O-ring	9611-99-2729	38	1	Quad ring	9611-99-2735	
32	1	Stationary seal ring, SiC.	9612-3633-01	Service kit for single shaft seal				
34	1	Rotating seal ring, SiC.	9612-3634-02	□		Service kit, EPDM.	9611-92-2139	
35	1	Quad ring	9611-99-2732	□		Service kit, NBR.	9611-92-2140	
36	1	PTFE support ring	9612-4571-01	□		Service kit, FPM.	9611-92-2141	
38	1	Quad ring	9611-99-2735	Service kit for single shaft seal and impeller screw				
Flushed shaft seal								
◆*		Shaft seal complete, EPDM (Standard)	9612-3622-10	○		Service kit, EPDM.	9611-92-2142	
24	1	Lip seal	9611-99-2860	○		Service kit, NBR.	9611-92-2143	
25	1	O-ring, EPDM	9611-99-2754	○		Service kit, FPM.	9611-92-2144	
26	1	O-ring, EPDM	9611-99-2753	Service kit for flushed shaft seal				
31	1	O-ring	9611-99-2727	◆		Service kit, EPDM.	9611-92-2145	
32	1	Stationary seal ring, SiC.	9612-3633-01	◆		Service kit, NBR.	9611-92-2146	
34	1	Rotating seal ring, SiC.	9612-3634-02	◆		Service kit, FPM.	9611-92-2147	
35	1	Quad ring	9611-99-2730	Service kit for flushed shaft seal and impeller screw				
36	1	PTFE support ring	9612-4571-01	*		Service kit, EPDM.	9611-92-2148	
38	1	Quad ring	9611-99-2733	*		Service kit, NBR.	9611-92-2149	
Parts marked with □/○/◆/* are included in the service kits.								
Conversion kit, single to flushed shaft seal 9611-92-2177 = Pos. 21, 22, 23, 24, 25, 26 and 27.								

Pos.	Qty.	Denomination	1.5 kW	2.2 kW	4 kW
1	1	*Motor 220/240 VD	9612-4189-01	9612-4189-03	9612-4189-07
	1	*Motor 380/420 VD	9612-4189-02	9612-4189-04	9612-4189-08
2	1	Shroud	9612-1390-01	9612-1390-01	9612-1390-03
2a	1	Edge list (Included in pos. 2)			

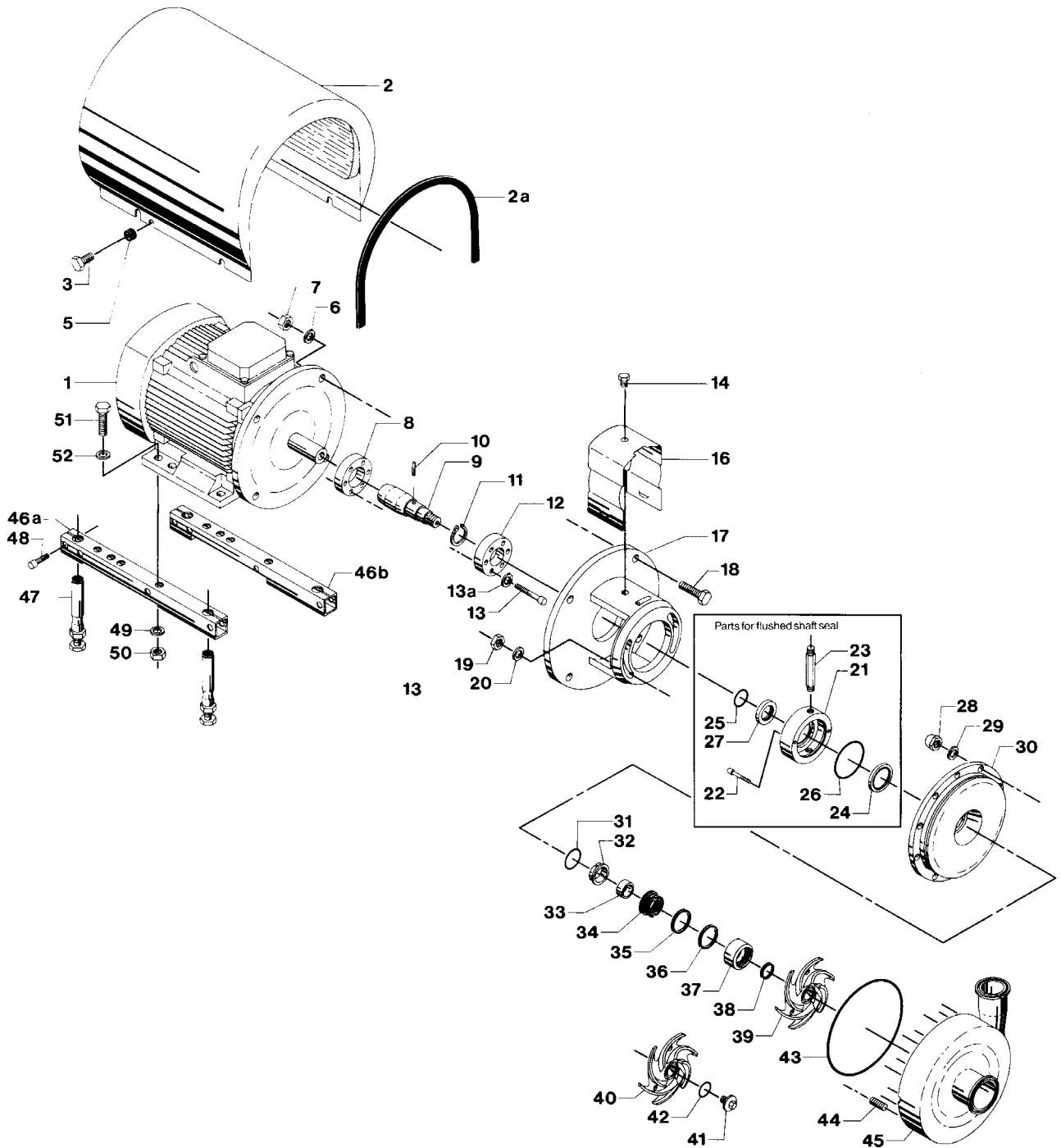
*Motors are with special ball bearing.

Surface roughness, product wetted parts: Ra ≤ 0.8 μm

Pos.	Qty.	Denomination	1.5-2.2 kW	4 kW
30	1	Back plate	9612-4837-10	9612-4837-10
39	1	Impeller	9612-5102-09	9612-5102-05
45	1	Pump casing, Flange	9612-5117-13	9612-5117-13
	1	Pump casing, Clamp	9612-5117-17	9612-5117-17
Alternatives				
40	1	Impeller for impeller screw	9612-5102-10	9612-5102-06
41	1	Impeller screw	9612-1396-03	9612-1396-03

Pump for High Inlet Pressure, Type LKHP-20 Single and Flushed Shaft Seal

10



Pump for High Inlet Pressure, Type LKHP-20 Single and Flushed Shaft Seal

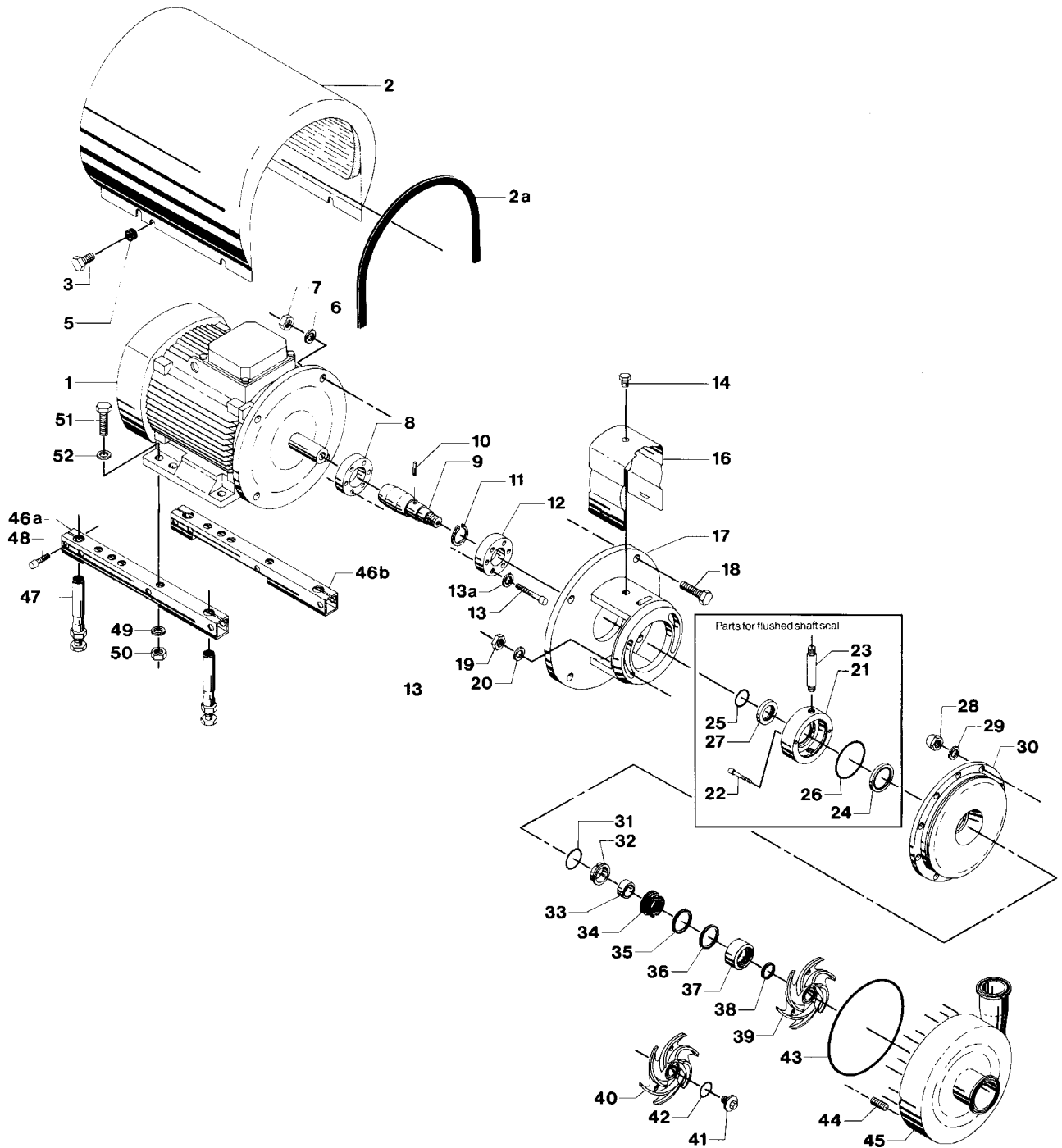
Pos.	Qty.	Denomination	1.5-2.2 kW	4 kW	5.5-7.5 kW
3	4	Screw	9611-99-3240	9611-99-3240	9611-99-3240
5	4	Distance sleeve			9611-99-2737
6	4	Washer for adaptor	9611-99-1887	9611-99-0676	9611-99-0676
7	4	Nut for adaptor	9611-99-0353	9611-99-0587	9611-99-0587
8	1	Compression ring with thread	9612-1336-01	9612-1336-02	9612-1336-05
9	1	Shaft with internal/external thread and pin (pos.10)		9612-1325-02	9612-1326-02
	1	Shaft with internal/external thread, pin (pos.10) and retaining ring (pos.11)	9612-1324-02		
10	1	Connex pin	9611-99-0622	9611-99-0622	9611-99-0622
11	1	Retaining ring	9611-99-2307		
12	1	Compression ring without thread	9612-1337-01	9612-1337-02	9612-1337-05
13	6	Screw	9611-99-3196	9611-99-3196	9611-99-3197
13a	6	Washer	9611-99-3199	9611-99-3199	9611-99-3199
14	1	Screw for safety guard	9611-99-3239	9611-99-3239	9611-99-3239
16	1	Safety guard	9612-1311-05	9612-1311-06	9612-1311-07
17	1	Adaptor	9612-3423-01	9612-3424-01	9612-3425-01
18	4	Screw for adaptor	9611-99-2161	9611-99-1834	9611-99-2162
19	2	Nut	9611-99-0353	9611-99-0353	9611-99-0353
20	2	Washer	9611-99-2559	9611-99-2559	9611-99-2559
28	10	Cap nut	9611-99-2592	9611-99-2592	9611-99-2592
29	10	Washer	9611-99-1888	9611-99-1888	9611-99-1888
30	1	Back plate	9612-4837-02	9612-4837-02	9612-4837-02
33	1	Spacing ring	9612-3625-02	9612-3625-02	9612-3625-02
37	1	Rotating seal housing	9612-3624-01	9612-3624-01	9612-3624-01
39	1	Impeller	9612-4082-07	9612-4082-01	9612-4082-01
43	□ ○ ◆ ★ 1	Joint ring, EPDM (standard)	9611-99-2141	9611-99-2141	9611-99-2141
	1	Joint ring, NBR	9611-99-2143	9611-99-2143	9611-99-2143
	1	Joint ring, FPM	9611-99-2142	9611-99-2142	9611-99-2142
44	10	Bolt	9611-99-2168	9611-99-2168	9611-99-2168
45	1	Pump casing, Flange	9612-4840-02	9612-4840-02	9612-4840-02
	1	Pump casing, Clamp	9612-4840-07	9612-4840-07	9612-4840-07
Legs					
46a	1	Support bar, right	9612-1322-01	9612-1322-05	9612-1322-06
46b	1	Support bar, left	9612-1323-01	9612-1323-05	9612-1323-06
47	4	Leg	9612-3967-01	9612-3967-01	9612-3967-01
48	4	Screw (Period 9711-)	9611-99-1126	9611-99-1126	9611-99-1126
	4	Screw (Period -9711)	9611-99-1907	9611-99-1907	9611-99-1907
49	4	Spring washer	9611-99-1888	9611-99-1887	9611-99-1887
50	4	Nut	9611-99-0360	9611-99-0353	9611-99-0353
51	4	Screw	9611-99-1176	9611-99-1911	9611-99-1911
52	4	Washer	9611-99-0786	9611-99-0786	9611-99-0786
Alternatives					
40	1	Impeller for impeller screw	9612-4082-08	9612-4082-02	9612-4082-02
41	1	Impeller screw	9612-1396-01	9612-1396-01	9612-1396-01
42	○ ★ 1	O-ring, EPDM	9611-99-2145	9611-99-2145	9611-99-2145
	1	O-ring, NBR	9611-99-2147	9611-99-2147	9611-99-2147
	1	O-ring, FPM	9611-99-2146	9611-99-2146	9611-99-2146

Recommended Spare Parts: Service kits.

Pump for High Inlet Pressure, Type LKHP-20 Single and Flushed Shaft Seal

(Same drawing as on page 10)

12



Pump for High Inlet Pressure, Type LKHP-20 Single and Flushed Shaft Seal

Pos.	Qty.	Denomination	1.5-7.5 kW	Pos.	Qty.	Denomination	1.5-7.5 kW																																								
Parts for flushed shaft seal																																															
21	1	Seal housing for flushed seal .	9612-3626-02	◆*	1	Shaft seal complete, NBR	9612-3622-11																																								
22	2	Screw	9611-99-4038	24	1	Lip seal	9611-99-2860																																								
23	2	Tube	9612-3589-01	25	1	O-ring, EPDM	9611-99-2754																																								
27	1	Sleeve	9612-3629-02	26	1	O-ring, EPDM	9611-99-2753																																								
Single shaft seal																																															
□○		Shaft seal complete, EPDM (Standard) .	9612-3622-04	31	1	O-ring	9611-99-2728																																								
31	1	O-ring	9611-99-2727	32	1	Stationary seal ring, SiC.	9612-3633-01																																								
32	1	Stationary seal ring, SiC.	9612-3633-01	34	1	Rotating seal ring, SiC.	9612-3634-02																																								
34	1	Rotating seal ring, SiC.	9612-3634-02	35	1	Quad ring	9611-99-2730																																								
35	1	Quad ring	9611-99-2730	36	1	PTFE support ring	9612-4571-01																																								
36	1	PTFE support ring	9612-4571-01	38	1	Quad ring	9611-99-2733																																								
38	1	Quad ring	9611-99-2733	◆* Shaft seal complete, FPM				9612-3622-12																																							
□○		Shaft seal complete, NBR	9612-3622-05	24	1	Lip seal	9611-99-2860																																								
31	1	O-ring	9611-99-2728	25	1	O-ring, EPDM	9611-99-2754																																								
32	1	Stationary seal ring, SiC.	9612-3633-01	26	1	O-ring, EPDM	9611-99-2753																																								
34	1	Rotating seal ring, SiC.	9612-3634-02	31	1	O-ring	9611-99-2729																																								
35	1	Quad ring	9611-99-2731	32	1	Stationary seal ring, SiC.	9612-3633-01																																								
36	1	PTFE support ring	9612-4571-01	34	1	Rotating seal ring, SiC.	9612-3634-02																																								
38	1	Quad ring	9611-99-2734	35	1	Quad ring	9611-99-2732																																								
□○		Shaft seal complete, FPM	9612-3622-06	36	1	PTFE support ring	9612-4571-01																																								
31	1	O-ring	9611-99-2729	38	1	Quad ring	9611-99-2735																																								
32	1	Stationary seal ring, SiC.	9612-3633-01	Service kit for single shaft seal																																											
34	1	Rotating seal ring, SiC.	9612-3634-02	□		Service kit, EPDM.	9611-92-2151																																								
35	1	Quad ring	9611-99-2732	□		Service kit, NBR.	9611-92-2152																																								
36	1	PTFE support ring	9612-4571-01	□		Service kit, FPM.	9611-92-2153																																								
38	1	Quad ring	9611-99-2735	Service kit for single shaft seal and impeller screw																																											
Flushed shaft seal																																															
◆*		Shaft seal complete, EPDM (Standard) .	9612-3622-10	○		Service kit, EPDM.	9611-92-2154																																								
24	1	Lip seal	9611-99-2860	○		Service kit, NBR.	9611-92-2155																																								
25	1	O-ring, EPDM	9611-99-2754	○		Service kit, FPM.	9611-92-2156																																								
26	1	O-ring, EPDM	9611-99-2753	Service kit for flushed shaft seal																																											
31	1	O-ring	9611-99-2727	◆		Service kit, EPDM.	9611-92-2157																																								
32	1	Stationary seal ring, SiC.	9612-3633-01	◆		Service kit, NBR.	9611-92-2158																																								
34	1	Rotating seal ring, SiC.	9612-3634-02	◆		Service kit, FPM.	9611-92-2159																																								
35	1	Quad ring	9611-99-2730	Service kit for flushed shaft seal and impeller screw																																											
36	1	PTFE support ring	9612-4571-01	*		Service kit, EPDM.	9611-92-2160																																								
38	1	Quad ring	9611-99-2733	*		Service kit, NBR.	9611-92-2161																																								
<div style="display: flex; justify-content: space-between;"> <div> <p>Parts marked with Δ/○/◆/* are included in the service kits.</p> <p>Conversion kit, single to flushed shaft seal 9611-92-2177 = Pos. 21, 22, 23, 24, 25, 26 and 27.</p> </div> <div> <table border="1" style="width: 100%; border-collapse: collapse;"> <thead> <tr> <th style="width: 15%;">Pos.</th> <th style="width: 5%;">Qty.</th> <th style="width: 40%;">Denomination</th> <th style="width: 15%;">1.5 kW</th> <th style="width: 15%;">2.2 kW</th> <th style="width: 15%;">4 kW</th> <th style="width: 15%;">5.5 kW</th> <th style="width: 15%;">7.5 kW</th> </tr> </thead> <tbody> <tr> <td>1</td> <td>1</td> <td>*Motor 220/240 VD</td> <td>9612-4189-01</td> <td>9612-4189-03</td> <td>9612-4189-07</td> <td>9612-4189-09</td> <td>9612-4189-11</td> </tr> <tr> <td></td> <td>1</td> <td>*Motor 380/420 VD</td> <td>9612-4189-02</td> <td>9612-4189-04</td> <td>9612-4189-08</td> <td>9612-4189-10</td> <td>9612-4189-12</td> </tr> <tr> <td>2</td> <td>1</td> <td>Shroud</td> <td>9612-1390-01</td> <td>9612-1390-01</td> <td>9612-1390-03</td> <td>9612-1390-08</td> <td>9612-1390-08</td> </tr> <tr> <td>2a</td> <td>1</td> <td>Edge list (Included in pos. 2)</td> <td></td> <td></td> <td></td> <td></td> <td></td> </tr> </tbody> </table> </div> </div>								Pos.	Qty.	Denomination	1.5 kW	2.2 kW	4 kW	5.5 kW	7.5 kW	1	1	*Motor 220/240 VD	9612-4189-01	9612-4189-03	9612-4189-07	9612-4189-09	9612-4189-11		1	*Motor 380/420 VD	9612-4189-02	9612-4189-04	9612-4189-08	9612-4189-10	9612-4189-12	2	1	Shroud	9612-1390-01	9612-1390-01	9612-1390-03	9612-1390-08	9612-1390-08	2a	1	Edge list (Included in pos. 2)					
Pos.	Qty.	Denomination	1.5 kW	2.2 kW	4 kW	5.5 kW	7.5 kW																																								
1	1	*Motor 220/240 VD	9612-4189-01	9612-4189-03	9612-4189-07	9612-4189-09	9612-4189-11																																								
	1	*Motor 380/420 VD	9612-4189-02	9612-4189-04	9612-4189-08	9612-4189-10	9612-4189-12																																								
2	1	Shroud	9612-1390-01	9612-1390-01	9612-1390-03	9612-1390-08	9612-1390-08																																								
2a	1	Edge list (Included in pos. 2)																																													

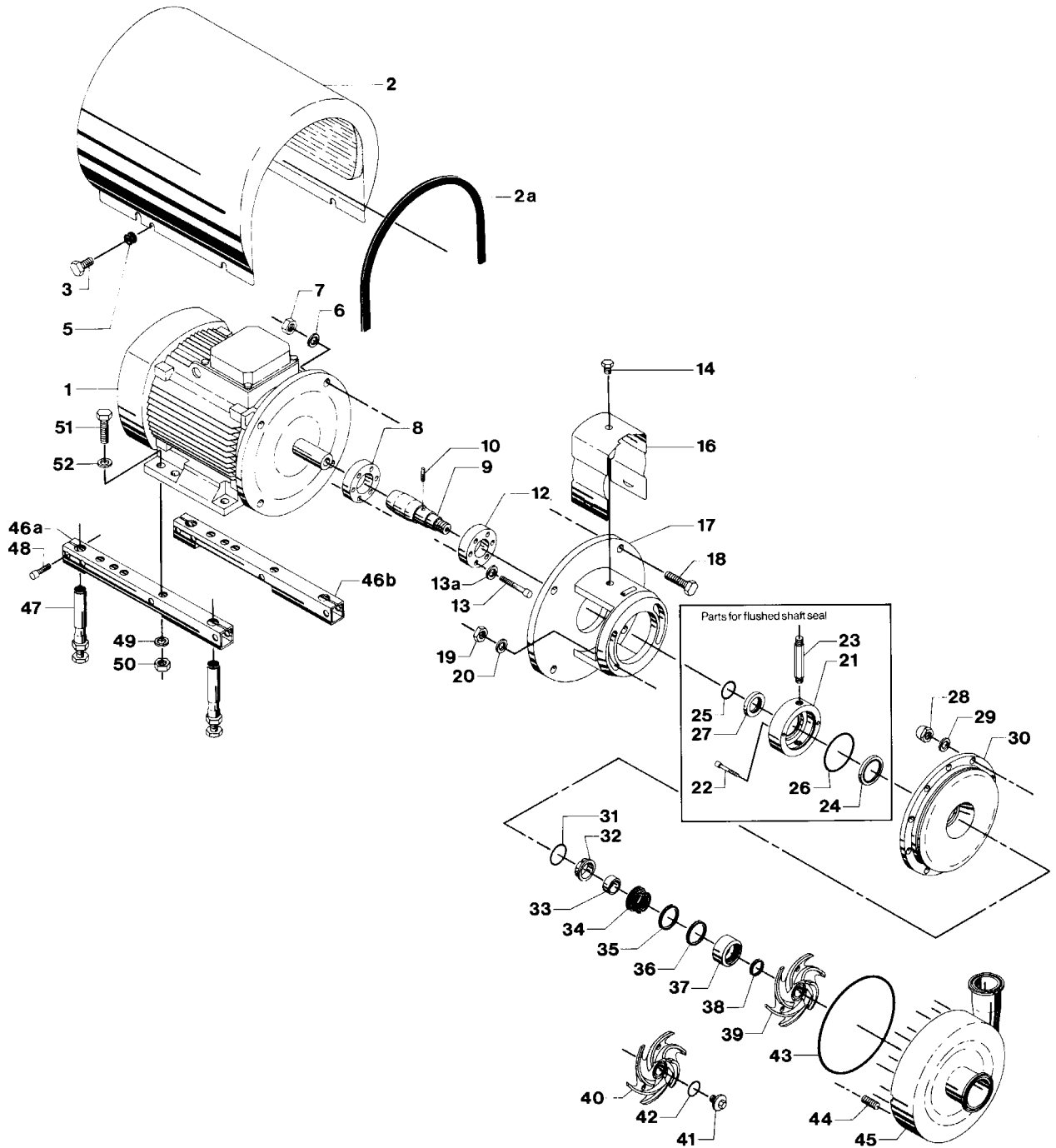
* Motors are with special ball bearing.

Surface roughness, product wetted parts: Ra ≤ 0.8 μm

Pos.	Qty.	Denomination	1.5-2.2 kW	4 kW	5.5-7.5 kW
30	1	Back plate	9612-4837-11	9612-4837-11	9612-4837-11
39	1	Impeller	9612-4082-09	9612-4082-05	9612-4082-05
45	1	Pump casing, Flange	9612-4840-17	9612-4840-17	9612-4840-17
	1	Pump casing, Clamp	9612-4840-22	9612-4840-22	9612-4840-22
Alternatives					
40	1	Impeller for impeller screw	9612-4082-10	9611-4082-06	9612-4082-06
41	1	Impeller screw	9612-1396-03	9612-1396-03	9612-1396-03

Pump for High Inlet Pressure, Type LKHP-25 Single and Flushed Shaft Seal

14



Pump for High Inlet Pressure, Type LKHP-25 Single and Flushed Shaft Seal

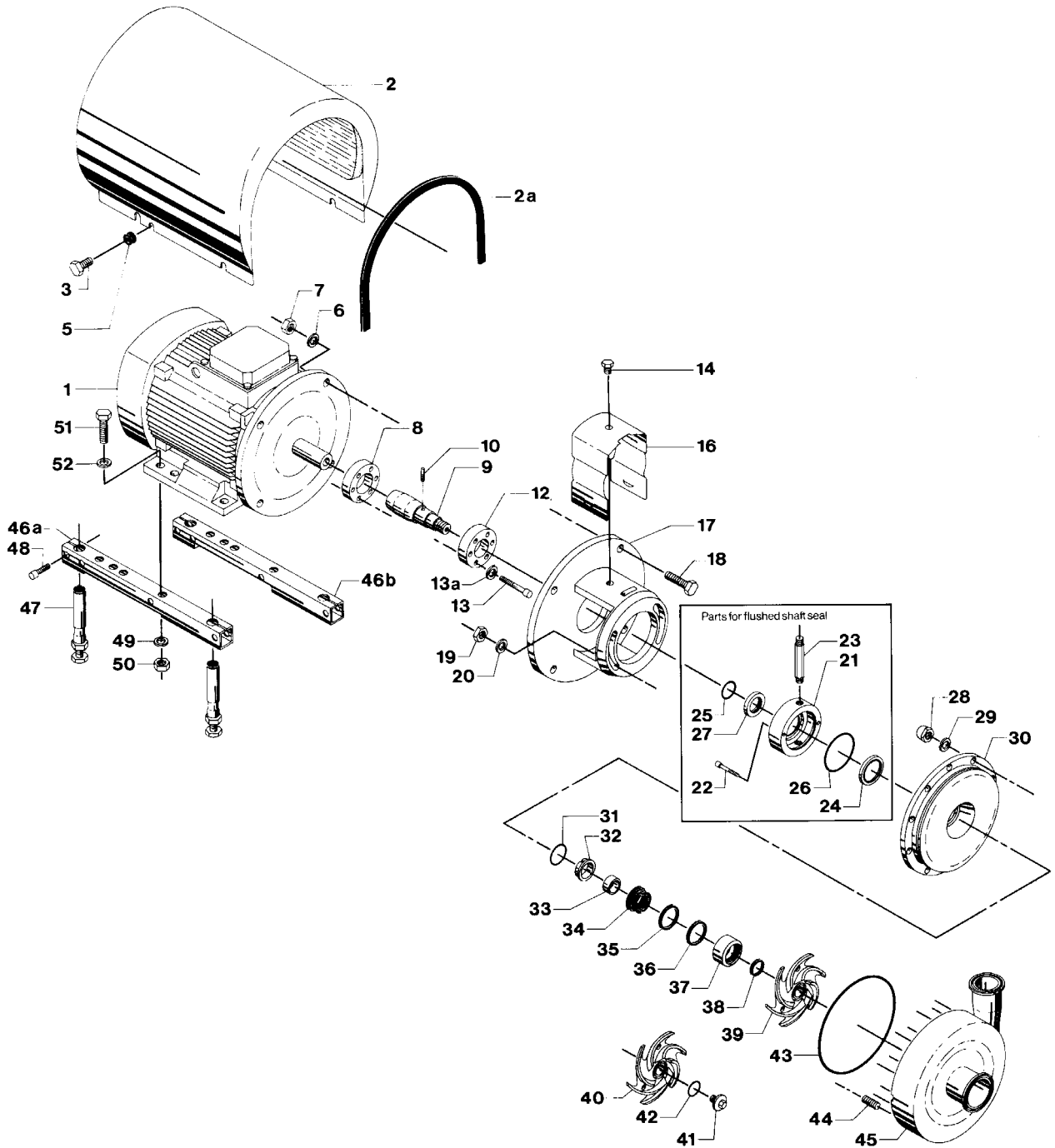
Pos.	Qty.	Denomination	4 kW	5.5-7.5 kW	11-15 kW
3	4	Screw	9611-99-3240	9611-99-3240	9611-99-3241
5	4	Distance sleeve		9611-99-2737	31438-0390-2
6	4	Washer for adaptor	9611-99-0676	9611-99-0676	9611-99-1886
7	4	Nut for adaptor	9611-99-0587	9611-99-0587	9611-99-2160
8	1	Compression ring with thread	9612-1336-02	9612-1336-05	9612-1336-03
9	1	Shaft with internal/external thread and pin (pos.10)	9612-1325-02	9612-1326-02	9612-1327-02
10	1	Connex pin	9611-99-0622	9611-99-0622	9611-99-0622
12	1	Compression ring without thread	9612-1337-02	9612-1337-05	9612-1337-03
13	6	Screw	9611-99-3196	9611-99-3197	9611-99-3198
13a	6	Washer	9611-99-3199	9611-99-3199	9611-99-3199
14	1	Screw for safety guard	9611-99-3239	9611-99-3239	9611-99-3239
16	1	Safety guard	9612-1311-06	9612-1311-07	9612-1311-08
17	1	Adaptor	9612-3424-01	9612-3425-01	9612-3426-01
18	4	Screw for adaptor	9611-99-1834	9611-99-2162	9611-99-2163
19	2	Nut	9611-99-0353	9611-99-0353	9611-99-0353
20	2	Washer	9611-99-2559	9611-99-2559	9611-99-2559
28	10	Cap nut	9611-99-2593	9611-99-2593	9611-99-2593
29	10	Washer	9611-99-1887	9611-99-1887	9611-99-1887
30	1	Back plate	9612-4837-14	9612-4837-14	9612-4837-14
33	1	Spacing ring	9612-3625-02	9612-3625-02	9612-3625-02
37	1	Rotating seal housing	9612-3624-01	9612-3624-01	9612-3624-01
39	1	Impeller	9612-5103-07	9612-5103-07	9612-5103-01
43	□ ○ ◆ ★ 1	Joint ring, EPDM (standard)	9611-99-2983	9611-99-2983	9611-99-2983
	1	Joint ring, NBR	9611-99-2984	9611-99-2984	9611-99-2984
	1	Joint ring, FPM	9611-99-2985	9611-99-2985	9611-99-2985
44	10	Bolt	9611-99-2169	9611-99-2169	9611-99-2169
45	1	Pump casing, Flange	9612-5117-02	9612-5117-02	9612-5117-02
	1	Pump casing, Clamp	9612-5117-06	9612-5117-06	9612-5117-06
Legs					
46a	1	Support bar, right	9612-1322-05	9612-1322-06	9612-1322-03
46b	1	Support bar, left	9612-1323-05	9612-1323-06	9612-1323-03
47	4	Leg	9612-3967-01	9612-3967-01	9612-3967-01
48	4	Screw (Period 9711-)	9611-99-1126	9611-99-1126	9611-99-1126
	4	Screw (Period -9711)	9611-99-1907	9611-99-1907	9611-99-1907
49	4	Spring washer	9611-99-1887	9611-99-1887	9611-99-0676
50	4	Nut	9611-99-0353	9611-99-0353	9611-99-0587
51	4	Screw	9611-99-1911	9611-99-1911	9611-99-1834
52	4	Washer	9611-99-0786	9611-99-0786	9611-99-0706
Alternatives					
40	1	Impeller for impeller screw	9612-5103-08	9612-5103-08	9612-5103-02
41	1	Impeller screw	9612-1396-01	9612-1396-01	9612-1396-01
42	○ ★ 1	O-ring, EPDM	9611-99-2145	9611-99-2145	9611-99-2145
	1	O-ring, NBR	9611-99-2147	9611-99-2147	9611-99-2147
	1	O-ring, FPM	9611-99-2146	9611-99-2146	9611-99-2146

Recommended Spare Parts: Service kits.

Pump for High Inlet Pressure, Type LKHP-25 Single and Flushed Shaft Seal

(Same drawing as on page 14)

16



Pump for High Inlet Pressure, Type LKHP-25 Single and Flushed Shaft Seal

Pos.	Qty.	Denomination	4-15 kW	Pos.	Qty.	Denomination	4-15 kW
Parts for flushed shaft seal				◆ * Shaft seal complete, NBR 9612-3622-11			
21	1	Seal housing for flushed seal	9612-3626-02	24	1	Lip seal	9611-99-2860
22	2	Screw	9611-99-4038	25	1	O-ring, EPDM	9611-99-2754
23	2	Tube	9612-3589-07	26	1	O-ring, EPDM	9611-99-2753
27	1	Sleeve	9612-3629-02	31	1	O-ring	9611-99-2728
Single shaft seal				32 1 Stationary seal ring, SiC. 9612-3633-01			
□○ Shaft seal complete, EPDM (Standard) . 9612-3622-04				34 1 Rotating seal ring, SiC. 9612-3634-02			
31	1	O-ring	9611-99-2727	35 1 Quad ring 9611-99-2730			
32	1	Stationary seal ring, SiC.	9612-3633-01	36 1 PTFE support ring 9612-4571-01			
34	1	Rotating seal ring, SiC.	9612-3634-02	38 1 Quad ring 9611-99-2734			
35	1	Quad ring	9611-99-2730	◆ * Shaft seal complete, FPM 9612-3622-12			
36	1	PTFE support ring	9612-4571-01	24	1	Lip seal	9611-99-2860
38	1	Quad ring	9611-99-2733	25	1	O-ring, EPDM	9611-99-2754
□○ Shaft seal complete, NBR 9612-3622-05				26	1	O-ring, EPDM	9611-99-2753
31	1	O-ring	9611-99-2728	31	1	O-ring	9611-99-2729
32	1	Stationary seal ring, SiC.	9612-3633-01	32	1	Stationary seal ring, SiC.	9612-3633-01
34	1	Rotating seal ring, SiC.	9612-3634-02	34	1	Rotating seal ring, SiC.	9612-3634-02
35	1	Quad ring	9611-99-2731	35	1	Quad ring	9611-99-2732
36	1	PTFE support ring	9612-4571-01	36	1	PTFE support ring	9612-4571-01
38	1	Quad ring	9611-99-2734	38	1	Quad ring	9611-99-2735
□○ Shaft seal complete, FPM 9612-3622-06				Service kit for single shaft seal			
31	1	O-ring	9611-99-2729	□ Service kit, EPDM 9611-92-2194			
32	1	Stationary seal ring, SiC.	9612-3633-01	□ Service kit, NBR 9611-92-2195			
34	1	Rotating seal ring, SiC.	9612-3634-02	□ Service kit, FPM 9611-92-2196			
35	1	Quad ring	9611-99-2732	Service kit for single shaft seal and impeller screw			
36	1	PTFE support ring	9612-4571-01	○ Service kit, EPDM 9611-92-2197			
38	1	Quad ring	9611-99-2735	○ Service kit, NBR 9611-92-2198			
Flushed shaft seal				○ Service kit, FPM 9611-92-2199			
◆* Shaft seal complete, EPDM (Standard) . 9612-3622-10				Service kit for flushed shaft seal			
24	1	Lip seal	9611-99-2860	◆ Service kit, EPDM 9611-92-2200			
25	1	O-ring, EPDM	9611-99-2754	◆ Service kit, NBR 9611-92-2201			
26	1	O-ring, EPDM	9611-99-2753	◆ Service kit, FPM 9611-92-2202			
31	1	O-ring	9611-99-2727	Service kit for flushed shaft seal and impeller screw			
32	1	Stationary seal ring, SiC.	9612-3633-01	* Service kit, EPDM 9611-92-2203			
34	1	Rotating seal ring, SiC.	9612-3634-02	* Service kit, NBR 9611-92-2204			
35	1	Quad ring	9611-99-2730	* Service kit, FPM 9611-92-2205			
36	1	PTFE support ring	9612-4571-01	Parts marked with □/○/◆/* are included in the service kits .			
38	1	Quad ring	9611-99-2733	Conversion kit, single to flushed shaft seal			
				9611-92-2177 = Pos. 21, 22, 23, 24, 25, 26 and 27.			

Pos.	Qty.	Denomination	4 kW	5.5 kW	7.5 kW	11 kW	15 kW
1	1	*Motor 220/240 VD	9612-4189-07	9612-4189-09	9612-4189-11	9612-4189-13	9612-4189-15
	1	*Motor 380/420 VD	9612-4189-08	9612-4189-10	9612-4189-12	9612-4189-14	9612-4189-16
2	1	Shroud	9612-1390-03	9612-1390-08	9612-1390-08	9612-1390-05	9612-1390-05
2a	1	Edge list (Included in pos 2)					

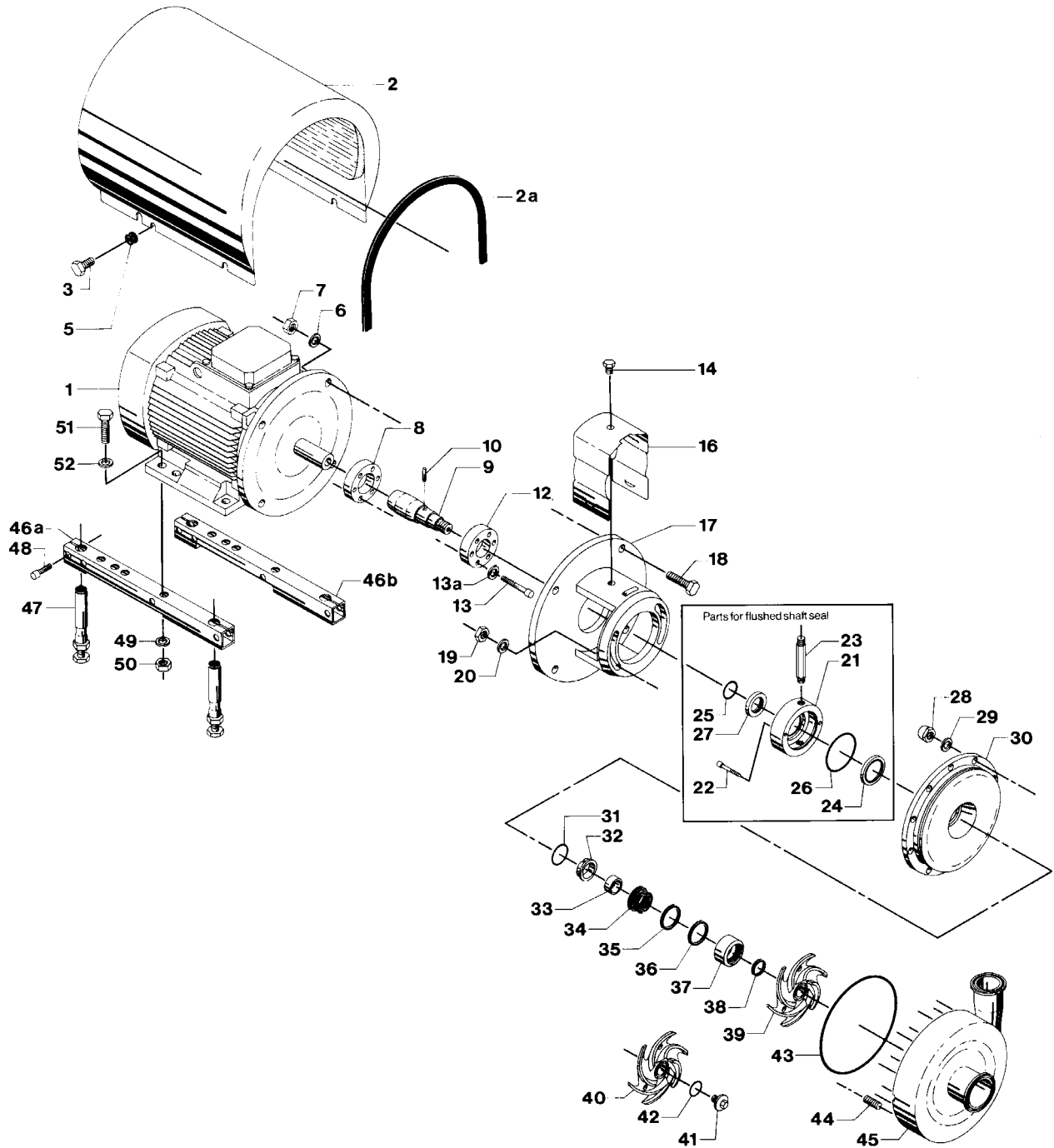
* Motors are with special ball bearing.

Surface roughness, product wetted parts: Ra ≤ 0.8 μm

Pos.	Qty.	Denomination	4 kW	5.5-7.5 kW	11-15 kW
30	1	Back plate	9612-4837-16	9612-4837-16	9612-4837-16
39	1	Impeller	9612-5103-09	9612-5103-09	9612-5103-05
45	1	Pump casing, Flange	9612-5117-14	9612-5117-14	9612-5117-14
	1	Pump casing, Clamp	9612-5117-18	9612-5117-18	9612-5117-18
Alternatives					
40	1	Impeller for impeller screw	9611-5103-10	9612-5103-10	9612-5103-06
41	1	Impeller screw	9612-1369-03	9612-1396-03	9612-1396-03

Pump for High Inlet Pressure, Type LKHP-35 Single and Flushed Shaft Seal

18



Pump for High Inlet Pressure, Type LKHP-35 Single and Flushed Shaft Seal

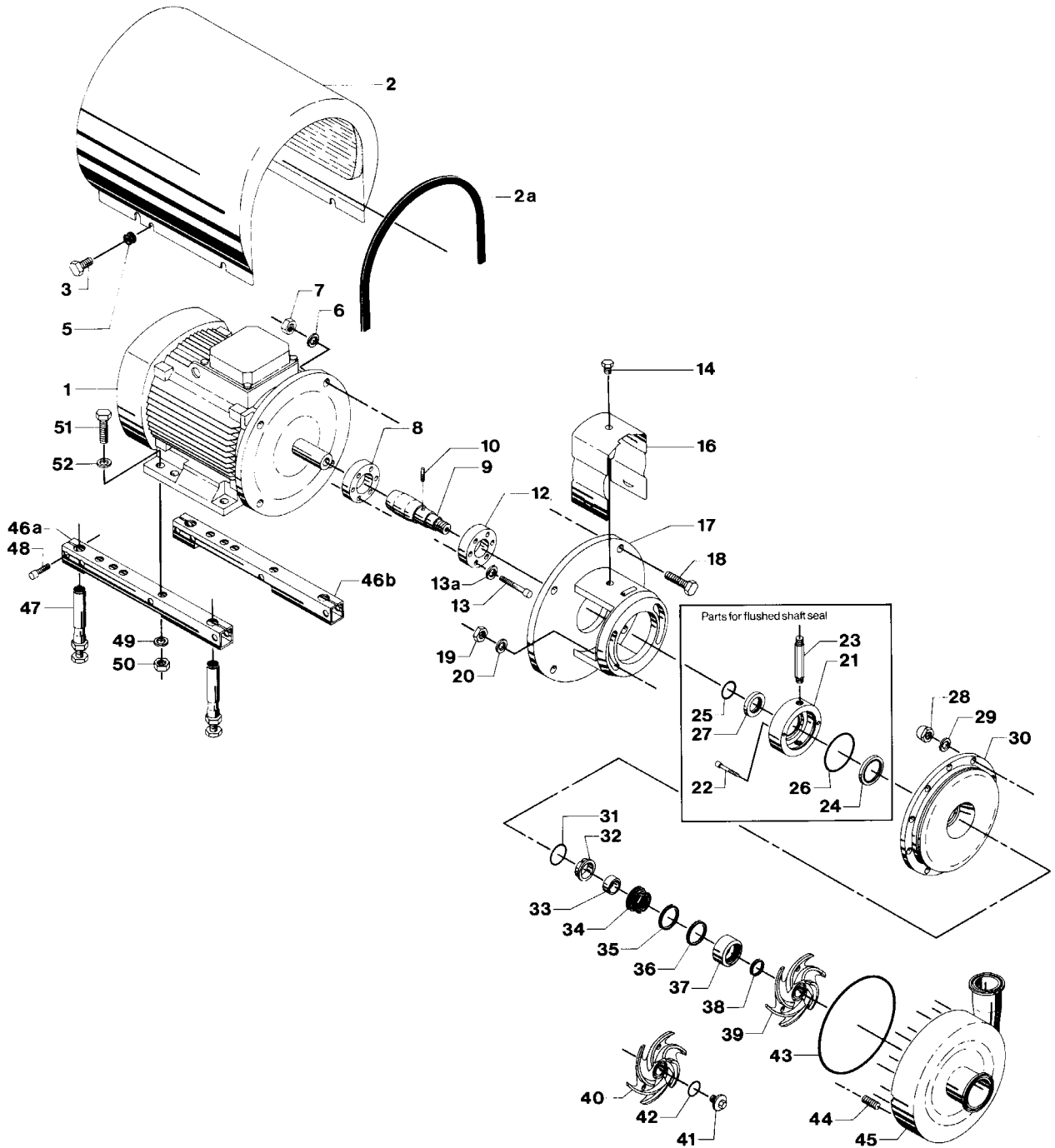
Pos.	Qty.	Denomination	4 kW	5.5-7.5 kW	11-15 kW
3	4	Screw	9611-99-3240	9611-99-3240	9611-99-3241
5	4	Distance sleeve		9611-99-2737	31438-0390-2
6	4	Washer for adaptor	9611-99-0676	9611-99-0676	9611-99-1886
7	4	Nut for adaptor	9611-99-0587	9611-99-0587	9611-99-2160
8	1	Compression ring with thread	9612-1336-02	9612-1336-05	9612-1336-03
9	1	Shaft with internal/external thread and pin (pos.10)	9612-1325-02	9612-1326-02	9612-1327-02
10	1	Connex pin	9611-99-0622	9611-99-0622	9611-99-0622
12	1	Compression ring without thread	9612-1337-02	9612-1337-05	9612-1337-03
13	6	Screw	9611-99-3196	9611-99-3197	9611-99-3198
13a	6	Washer	9611-99-3199	9611-99-3199	9611-99-3199
14	1	Screw for safety guard	9611-99-3239	9611-99-3239	9611-99-3239
16	1	Safety guard	9612-1311-06	9612-1311-07	9612-1311-08
17	1	Adaptor	9612-3424-01	9612-3425-01	9612-3426-01
18	4	Screw for adaptor	9611-99-1834	9611-99-2162	9611-99-2163
19	2	Nut	9611-99-0353	9611-99-0353	9611-99-0353
20	2	Washer	9611-99-2559	9611-99-2559	9611-99-2559
28	10	Cap nut	9611-99-2593	9611-99-2593	9611-99-2593
29	10	Washer	9611-99-1887	9611-99-1887	9611-99-1887
30	1	Back plate	9612-4837-14	9612-4837-14	9612-4837-14
33	1	Spacing ring	9612-3625-02	9612-3625-02	9612-3625-02
37	1	Rotating seal housing	9612-3624-01	9612-3624-01	9612-3624-01
39	1	Impeller	9612-5104-07	9612-5104-07	9612-5104-01
43	□ ○ ◆ * 1	Joint ring, EPDM (standard)	9611-99-2983	9611-99-2983	9611-99-2983
	1	Joint ring, NBR	9611-99-2984	9611-99-2984	9611-99-2984
	1	Joint ring, FPM	9611-99-2985	9611-99-2985	9611-99-2985
44	10	Bolt	9611-99-2169	9611-99-2169	9611-99-2169
45	1	Pump casing, Flange	9612-5117-03	9612-5117-03	9612-5117-03
	1	Pump casing, Clamp	9612-5117-07	9612-5117-07	9612-5117-07
Legs					
46a	1	Support bar, right	9612-1322-05	9612-1322-06	9612-1322-03
46b	1	Support bar, left	9612-1323-05	9612-1323-06	9612-1323-03
47	4	Leg	9612-3967-01	9612-3967-01	9612-3967-01
48	4	Screw (Period 9711-)	9611-99-1126	9611-99-1126	9611-99-1126
	4	Screw (Period -9711)	9611-99-1907	9611-99-1907	9611-99-1907
49	4	Spring washer	9611-99-1887	9611-99-1887	9611-99-0676
50	4	Nut	9611-99-0353	9611-99-0353	9611-99-0587
51	4	Screw	9611-99-1911	9611-99-1911	9611-99-1834
52	4	Washer	9611-99-0786	9611-99-0786	9611-99-0706
Alternatives					
40	1	Impeller for impeller screw	9612-5104-08	9612-5104-08	9612-5104-02
41	1	Impeller screw	9612-1396-01	9612-1396-01	9612-1396-01
42	○ * 1	O-ring, EPDM	9611-99-2145	9611-99-2145	9611-99-2145
	1	O-ring, NBR	9611-99-2147	9611-99-2147	9611-99-2147
	1	O-ring, FPM	9611-99-2146	9611-99-2146	9611-99-2146

Recommended Spare Parts: Service kits.

Pump for High Inlet Pressure, Type LKHP-35 Single and Flushed Shaft Seal

(Same drawing as on page 18)

20



Pump for High Inlet Pressure, Type LKHP-35 Single and Flushed Shaft Seal

Pos.	Qty.	Denomination	4-15 kW	Pos.	Qty.	Denomination	4-15 kW
Parts for flushed shaft seal				◆* Shaft seal complete, NBR 9612-3622-11			
21	1	Seal housing for flushed seal	9612-3626-02	24	1	Lip seal	9611-99-2860
22	2	Screw	9611-99-4038	25	1	O-ring, EPDM	9611-99-2754
23	2	Tube	9612-3589-07	26	1	O-ring, EPDM	9611-99-2753
27	1	Sleeve	9612-3629-02	31	1	O-ring	9611-99-2728
Single shaft seal				32 1 Stationary seal ring, SiC. 9612-3633-01			
□○ Shaft seal complete, EPDM (Standard) . 9612-3622-04				34 1 Rotating seal ring, SiC. 9612-3634-02			
31	1	O-ring	9611-99-2727	35 1 Quad ring 9611-99-2730			
32	1	Stationary seal ring, SiC.	9612-3633-01	36 1 PTFE support ring 9612-4571-01			
34	1	Rotating seal ring, SiC.	9612-3634-02	38 1 Quad ring 9611-99-2734			
35	1	Quad ring	9611-99-2730	◆* Shaft seal complete, FPM 9612-3622-12			
36	1	PTFE support ring	9612-4571-01	24	1	Lip seal	9611-99-2860
38	1	Quad ring	9611-99-2734	25	1	O-ring, EPDM	9611-99-2754
□○ Shaft seal complete, NBR 9612-3622-05				26	1	O-ring, EPDM	9611-99-2753
31	1	O-ring	9611-99-2728	31	1	O-ring	9611-99-2729
32	1	Stationary seal ring, SiC.	9612-3633-01	32	1	Stationary seal ring, SiC.	9612-3633-01
34	1	Rotating seal ring, SiC.	9612-3634-02	34	1	Rotating seal ring, SiC.	9612-3634-02
35	1	Quad ring	9611-99-2731	35	1	Quad ring	9611-99-2732
36	1	PTFE support ring	9612-4571-01	36	1	PTFE support ring	9612-4571-01
38	1	Quad ring	9611-99-2734	38	1	Quad ring	9611-99-2735
□○ Shaft seal complete, FPM 9612-3622-06				Service kit for single shaft seal			
31	1	O-ring	9611-99-2729	□ Service kit, EPDM 9611-92-2194			
32	1	Stationary seal ring, SiC.	9612-3633-01	□ Service kit, NBR 9611-92-2195			
34	1	Rotating seal ring, SiC.	9612-3634-02	□ Service kit, FPM 9611-92-2196			
35	1	Quad ring	9611-99-2732	Service kit for single shaft seal and impeller screw			
36	1	PTFE support ring	9612-4571-01	○ Service kit, EPDM 9611-92-2197			
38	1	Quad ring	9611-99-2735	○ Service kit, NBR 9611-92-2198			
Flushed shaft seal				○ Service kit, FPM 9611-92-2199			
◆* Shaft seal complete, EPDM (Standard) 9612-3622-10				Service kit for flushed shaft seal			
24	1	Lip seal	9611-99-2860	◆ Service kit, EPDM 9611-92-2200			
25	1	O-ring, EPDM	9611-99-2754	◆ Service kit, NBR 9611-92-2201			
26	1	O-ring, EPDM	9611-99-2753	◆ Service kit, FPM 9611-92-2202			
31	1	O-ring	9611-99-2727	Service kit for flushed shaft seal and impeller screw			
32	1	Stationary seal ring, SiC.	9612-3633-01	* Service kit, EPDM 9611-92-2203			
34	1	Rotating seal ring, SiC.	9612-3634-02	* Service kit, NBR 9611-92-2204			
35	1	Quad ring	9611-99-2730	* Service kit, FPM 9611-92-2205			
36	1	PTFE support ring	9612-4571-01	Parts marked with □/○/◆/* are included in the service kits .			
38	1	Quad ring	9611-99-2734	Conversion kit, single to flushed shaft seal			
				9611-92-2177 = Pos. 21, 22, 23, 24, 25, 26 and 27.			

Pos.	Qty.	Denomination	4 kW	5.5 kW	7.5 kW	11 kW	15 kW
1	1	*Motor 220/240 VD	9612-4189-07	9612-4189-09	9612-4189-11	9612-4189-13	9612-4189-15
	1	*Motor 380/420 VD	9612-4189-08	9612-4189-10	9612-4189-12	9612-4189-14	9612-4189-16
2	1	Shroud	9612-1390-03	9612-1390-08	9612-1390-08	9612-1390-05	9612-1390-05
2a	1	Edge list (Included in pos 2)					

* Motors are with special ball bearing.

Surface roughness, product wetted parts: Ra ≤ 0.8 μm

Pos.	Qty.	Denomination	4 kW	5.5-7.5 kW	11-15 kW
30	1	Back plate	9612-4837-16	9612-4837-16	9612-4837-16
39	1	Impeller	9612-5104-09	9612-5104-09	9612-5104-05
45	1	Pump casing, Flange	9612-5117-15	9612-5117-15	9612-5117-15
	1	Pump casing, Clamp	9612-5117-19	9612-5117-19	9612-5117-19

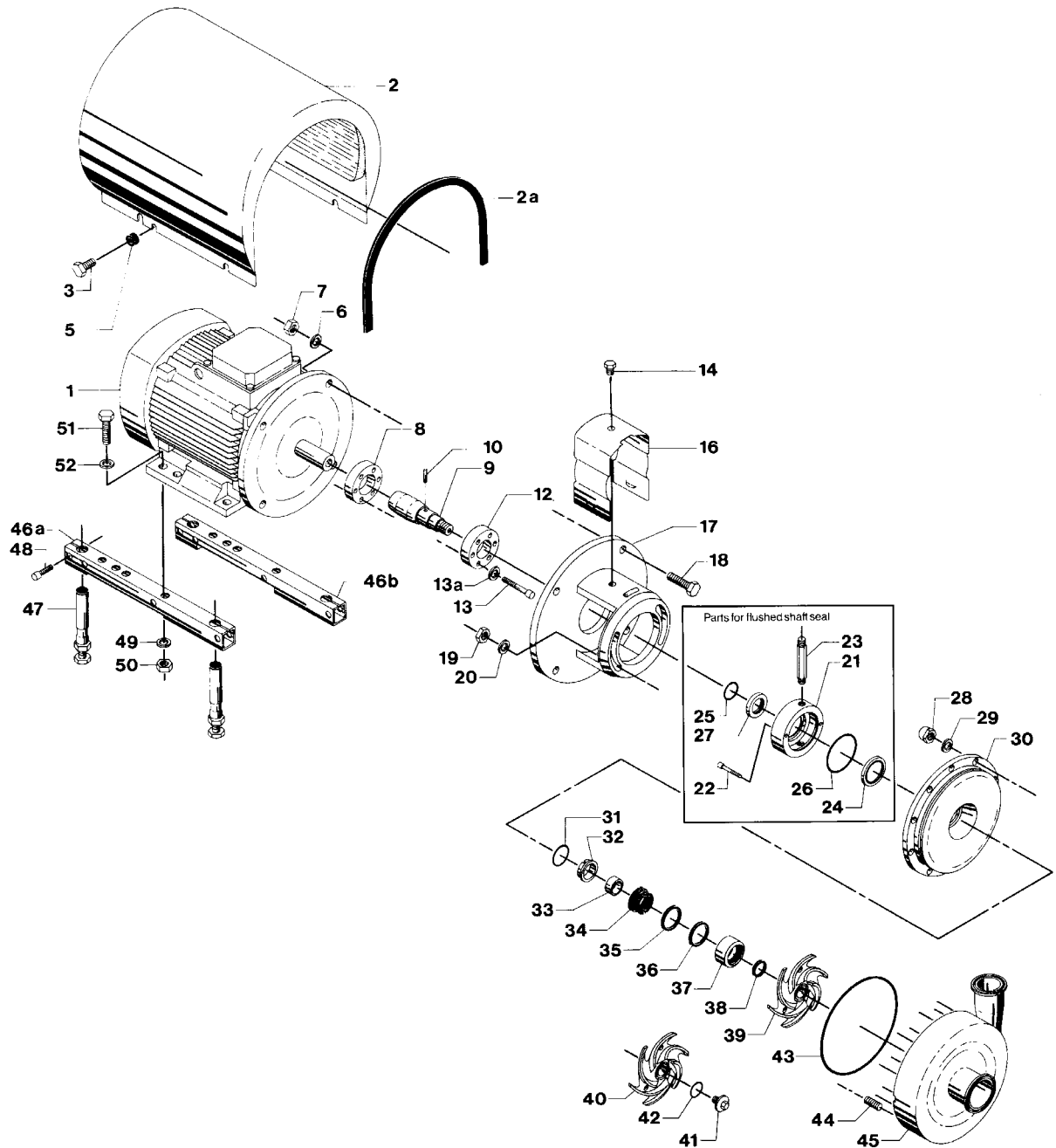
Alternatives

40	1	Impeller for impeller screw	9611-5104-10	9612-5104-10	9612-5104-06
41	1	Impeller screw	9612-1369-03	9612-1369-03	9612-1369-03

900040/0

Pump for High Inlet Pressure, Type LKHP-40 Single and Flushed Shaft Seal

22



Pump for High Inlet Pressure, Type LKHP-40 Single and Flushed Shaft Seal

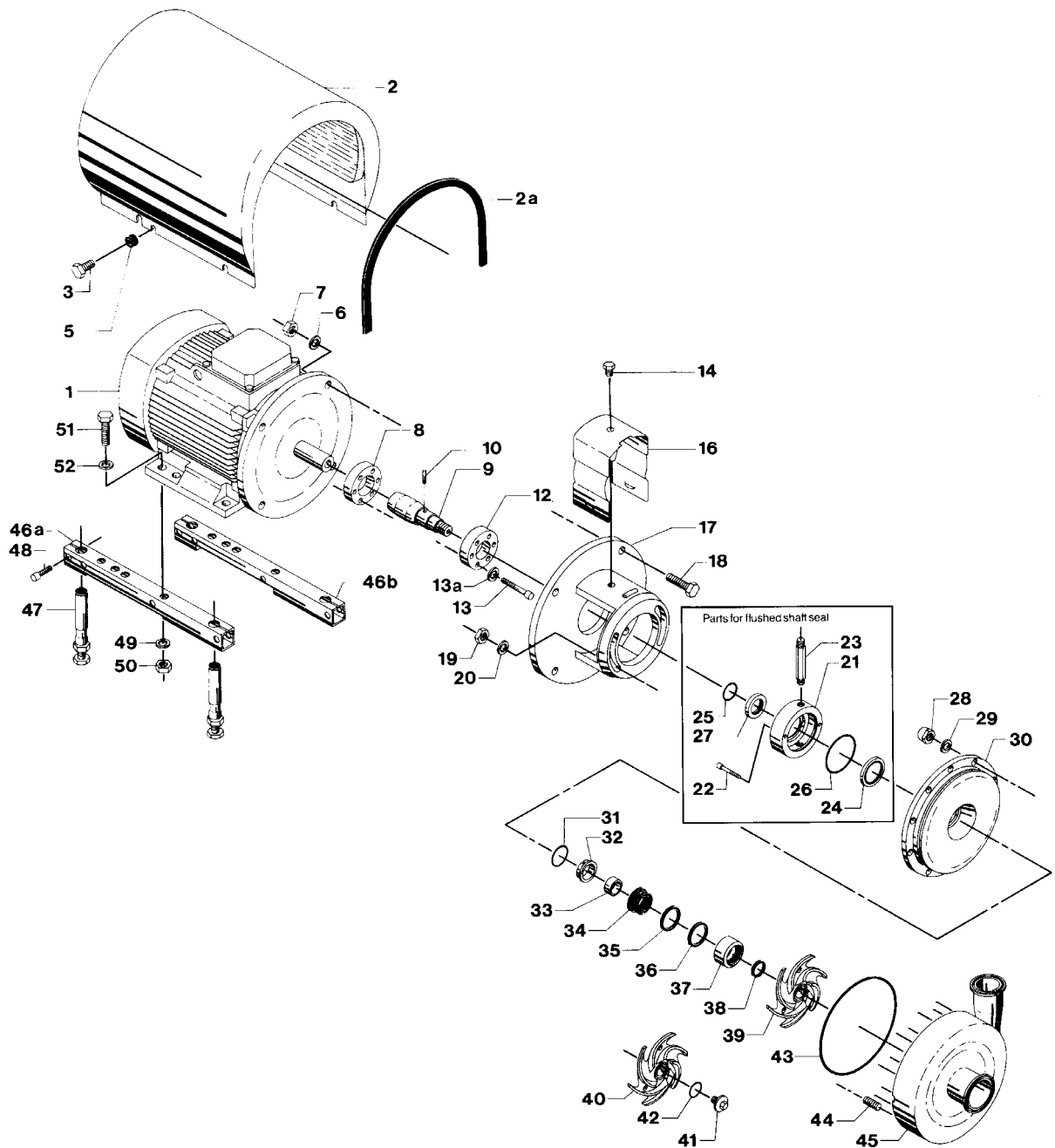
Pos.	Qty.	Denomination	7.5 kW	11 kW	15-18.5 kW	22 kW
3	4	Screw	9611-99-3240	9611-99-3241	9611-99-3241	9611-99-3242
5	4	Distance sleeve	9611-99-2737	31438-0390-2	31438-0390-2	31438-0390-1
6	4	Washer for adaptor	9611-99-0676	9611-99-1886	9611-99-1886	9611-99-1886
7	4	Nut for adaptor	9611-99-0587	9611-99-2160	9611-99-2160	9611-99-2160
8	1	Compression ring with thread	9612-1336-05	9612-1336-03	9612-1336-03	9612-1336-04
9	1	Shaft with internal/external thread and pin (pos. 10)	9612-1326-02	9612-1327-02	9612-1327-02	9612-1328-02
10	1	Connex pin	9611-99-0622	9611-99-0622	9611-99-0622	9611-99-0622
12	1	Compression ring without thread ..	9612-1337-05	9612-1337-03	9612-1337-03	9612-1337-04
13	6	Screw and pin (pos.8)	9611-99-3197	9611-99-3198	9611-99-3198	9611-99-3198
13a	6	Washer	9611-99-3199	9611-99-3199	9611-99-3199	9611-99-3199
14	1	Screw for safety guard	9611-99-3239	9611-99-3239	9611-99-3239	9611-99-3239
16	1	Safety guard	9612-1311-07	9612-1311-08	9612-1311-08	9612-1311-08
17	1	Adaptor	9612-3425-01	9612-3426-01	9612-3426-01	9612-3426-01
18	4	Screw for adaptor	9611-99-2162	9611-99-2163	9611-99-2163	9611-99-2164
19	2	Nut	9611-99-0353	9611-99-0353	9611-99-0353	9611-99-0353
20	2	Washer	9611-99-2559	9611-99-2559	9611-99-2559	9611-99-2559
28	12	Cap nut	9611-99-2593	9611-99-2593	9611-99-2593	9611-99-2593
29	12	Washer	9611-99-1887	9611-99-1887	9611-99-1887	9611-99-1887
30	1	Back plate	9612-4837-03	9612-4837-03	9612-4837-03	9612-4837-03
33	1	Spacing ring	9612-3625-02	9612-3625-02	9612-3625-02	9612-3625-02
37	1	Rotating seal housing	9612-3624-01	9612-3624-01	9612-3624-01	9612-3624-01
39	1	Impeller	9612-4084-07	9612-4084-07	9612-4084-01	9612-4084-01
43	□○◆* 1	Joint ring, EPDM (standard)	9611-99-2171	9611-99-2171	9611-99-2171	9611-99-2171
	1	Joint ring, NBR	9611-99-2173	9611-99-2173	9611-99-2173	9611-99-2173
	1	Joint ring, FPM	9611-99-2172	9611-99-2172	9611-99-2172	9611-99-2172
44	12	Bolt	9611-99-2169	9611-99-2169	9611-99-2169	9611-99-2169
45	1	Pump casing, Flange	9612-4840-03	9612-4840-03	9612-4840-03	9612-4840-03
	1	Pump casing, Clamp	9612-4840-08	9612-4840-08	9612-4840-08	9612-4840-08
Legs						
46a	1	Support bar, right	9612-1322-06	9612-1322-03	9612-1322-03	9612-1322-04
46b	1	Support bar, left	9612-1323-06	9612-1323-03	9612-1323-03	9612-1323-04
47	4	Leg	9612-3967-01	9612-3967-01	9612-3967-01	9612-3967-01
48	4	Screw (Period 9711-)	9611-99-1126	9611-99-1126	9611-99-1126	9611-99-1126
	4	Screw (Period -9711)	9611-99-1907	9611-99-1907	9611-99-1907	9611-99-1907
49	4	Spring washer	9611-99-1887	9611-99-0676	9611-99-0676	9611-99-0676
50	4	Nut	9611-99-0353	9611-99-0587	9611-99-0587	9611-99-0587
51	4	Screw	9611-99-1911	9611-99-1834	9611-99-1834	9611-99-1834
52	4	Washer	9611-99-0786	9611-99-0706	9611-99-0706	9611-99-0706
Alternatives						
40	1	Impeller for impeller screw	9612-4084-08	9612-4084-08	9612-4084-02	9612-4084-02
41	1	Impeller screw	9612-1396-01	9612-1396-01	9612-1396-01	9612-1396-01
42	○* 1	O-ring, EPDM	9611-99-2145	9611-99-2145	9611-99-2145	9611-99-2145
	1	O-ring, NBR	9611-99-2147	9611-99-2147	9611-99-2147	9611-99-2147
	1	O-ring, FPM	9611-99-2146	9611-99-2146	9611-99-2146	9611-99-2146

Recommended Spare Parts: Service kits.

Pump for High Inlet Pressure, Type LKHP-40 Single and Flushed Shaft Seal

(Same drawing as on page 22)

24



Pump for High Inlet Pressure, Type LKHP-40 Single and Flushed Shaft Seal

Pos.	Qty.	Denomination	7.5-22 kW	Pos.	Qty.	Denomination	7.5-22 kW
Parts for flushed shaft seal				◆* Shaft seal complete, NBR 9612-3622-11			
21	1	Seal housing for flushed seal	9612-3626-02	24	1	Lip seal	9611-99-2860
22	2	Screw	9611-99-4038	25	1	O-ring, EPDM	9611-99-2754
23	2	Tube	9612-3589-07	26	1	O-ring, EPDM	9611-99-2753
27	1	Sleeve	9612-3629-02	31	1	O-ring	9611-99-2728
Single shaft seal				32 1 Stationary seal ring, SiC. 9612-3633-01			
□○ Shaft seal complete, EPDM (Standard) . 9612-3622-04				34 1 Rotating seal ring, SiC. 9612-3634-02			
31	1	O-ring	9611-99-2727	35 1 Quad ring 9611-99-2730			
32	1	Stationary seal ring, SiC.	9612-3633-01	36 1 PTFE support ring 9612-4571-01			
34	1	Rotating seal ring, SiC.	9612-3634-02	38 1 Quad ring 9611-99-2734			
35	1	Quad ring	9611-99-2730	◆* Shaft seal complete, FPM 9612-3622-12			
36	1	PTFE support ring	9612-4571-01	24	1	Lip seal	9611-99-2860
38	1	Quad ring	9611-99-2733	25	1	O-ring, EPDM	9611-99-2754
□○ Shaft seal complete, NBR 9612-3622-05				26	1	O-ring, EPDM	9611-99-2753
31	1	O-ring	9611-99-2728	31	1	O-ring	9611-99-2729
32	1	Stationary seal ring, SiC.	9612-3633-01	32	1	Stationary seal ring, SiC.	9612-3633-01
34	1	Rotating seal ring, SiC.	9612-3634-02	34	1	Rotating seal ring, SiC.	9612-3634-02
35	1	Quad ring	9611-99-2731	35	1	Quad ring	9611-99-2732
36	1	PTFE support ring	9612-4571-01	36	1	PTFE support ring	9612-4571-01
38	1	Quad ring	9611-99-2734	38	1	Quad ring	9611-99-2735
□○ Shaft seal complete, FPM 9612-3622-06				Service kit for single shaft seal			
31	1	O-ring	9611-99-2729	□ Service kit, EPDM 9611-92-2163			
32	1	Stationary seal ring, SiC.	9612-3633-01	□ Service kit, NBR 9611-92-2164			
34	1	Rotating seal ring, SiC.	9612-3634-02	□ Service kit, FPM 9611-92-2165			
35	1	Quad ring	9611-99-2732	Service kit for single shaft seal and impeller screw			
36	1	PTFE support ring	9612-4571-01	○ Service kit, EPDM 9611-92-2166			
38	1	Quad ring	9611-99-2735	○ Service kit, NBR 9611-92-2167			
Flushed shaft seal				○ Service kit, FPM 9611-92-2168			
◆* Shaft seal complete, EPDM (Standard) . 9612-3622-10				Service kit for flushed shaft seal			
24	1	Lip seal	9611-99-2860	◆ Service kit, EPDM 9611-92-2169			
25	1	O-ring, EPDM	9611-99-2754	◆ Service kit, NBR 9611-92-2170			
26	1	O-ring, EPDM	9611-99-2753	◆ Service kit, FPM 9611-92-2171			
31	1	O-ring	9611-99-2727	Service kit for flushed shaft seal and impeller screw			
32	1	Stationary seal ring, SiC.	9612-3633-01	* Service kit, EPDM 9611-92-2172			
34	1	Rotating seal ring, SiC.	9612-3634-02	* Service kit, NBR 9611-92-2173			
35	1	Quad ring	9611-99-2730	* Service kit, FPM 9611-92-2174			
36	1	PTFE support ring	9612-4571-01	Parts marked with □/○/◆/* are included in the service kits .			
38	1	Quad ring	9611-99-2733	Conversion kit, single to flushed shaft seal 9611-92-2177			
= Pos. 21, 22, 23, 24, 25, 26 and 27.							

Pos.	Qty.	Denomination	7.5 kW	11 kW	15 kW	18.5 kW	22 kW
1	1	*Motor 220/240 VD	9612-4189-11	9612-4189-13	9612-4189-15	9612-4189-17	9612-4189-19
	1	*Motor 380/420 VD	9612-4189-12	9612-4189-14	9612-4189-16	9612-4189-18	9612-4189-20
2	1	Shroud	9612-1390-08	9612-1390-05	9612-1390-05	9612-1390-05	9612-1390-06
2a	1	Edge list (Included in pos 2)					

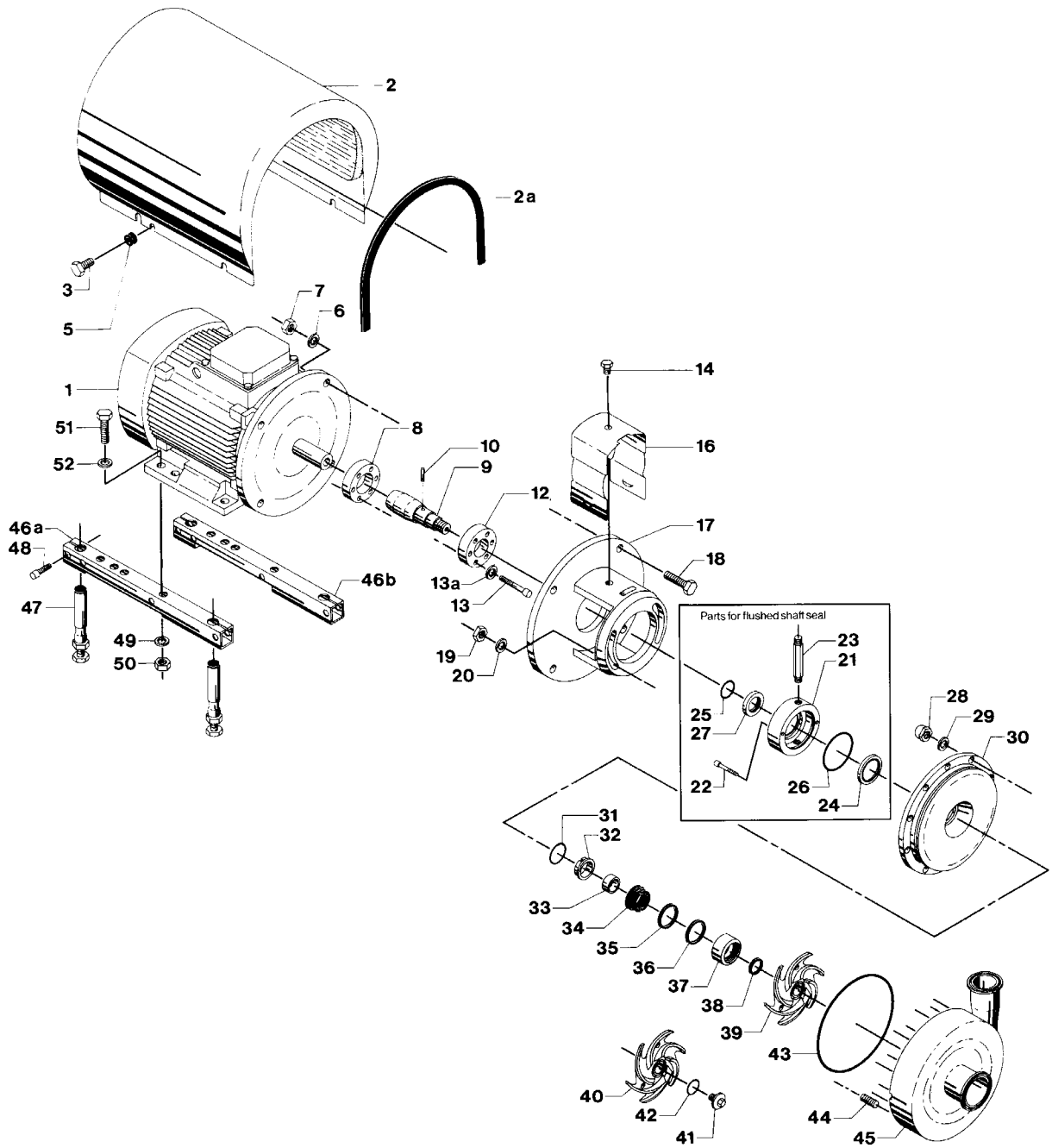
* Motors are with special ball bearing.

Surface roughness, product wetted parts: Ra ≤ 0.8 μm

Pos.	Qty.	Denomination	7.5 kW	11-18.5 kW	22 kW
30	1	Back plate	9612-4837-12	9612-4837-12	9612-4837-12
39	1	Impeller	9612-4084-09	9612-4084-09	9612-4084-05
45	1	Pump casing, Flange	9612-4840-18	9612-4840-18	9612-4840-18
	1	Pump casing, Clamp	9612-4840-23	9612-4840-23	9612-4840-23
Alternatives					
40	1	Impeller for impeller screw	9612-4084-10	9612-4084-10	9612-4084-06
41	1	Impeller screw	9612-1396-03	9612-1396-03	9612-1396-03

Pump for High Inlet Pressure, Type LKHP-45 Single and Flushed Shaft Seal

26



Pump for High Inlet Pressure, Type LKHP-45 Single and Flushed Shaft Seal

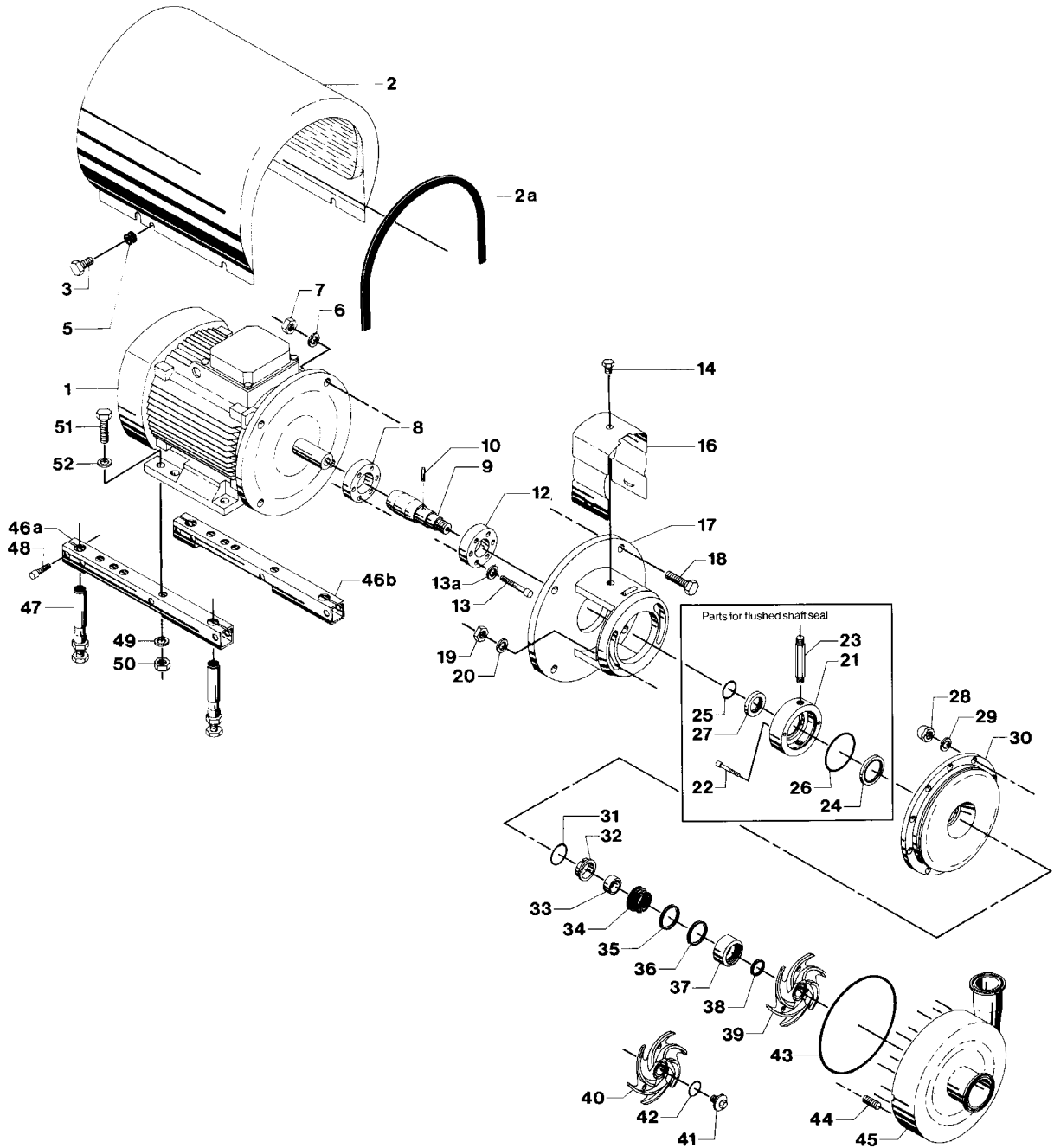
Pos.	Qty.	Denomination	4 kW	5.5-7.5 kW	11-15 kW
3	4	Screw	9611-99-3240	9611-99-3240	9611-99-3241
5	4	Distance sleeve		9611-99-2737	31438-0390-2
6	4	Washer for adaptor	9611-99-0676	9611-99-0676	9611-99-1886
7	4	Nut for adaptor	9611-99-0587	9611-99-0587	9611-99-2160
8	1	Compression ring with thread	9612-1336-02	9612-1336-05	9612-1336-03
9	1	Shaft with internal/external thread and pin (pos.10)	9612-1325-02	9612-1326-02	9612-1327-02
10	1	Connex pin	9611-99-0622	9611-99-0622	9611-99-0622
12	1	Compression ring without thread	9612-1337-02	9612-1337-05	9612-1337-03
13	6	Screw	9611-99-3196	9611-99-3197	9611-99-3198
13a	6	Washer	9611-99-3199	9611-99-3199	9611-99-3199
14	1	Screw for safety guard	9611-99-3239	9611-99-3239	9611-99-3239
16	1	Safety guard	9612-1311-06	9612-1311-07	9612-1311-08
17	1	Adaptor	9612-3424-01	9612-3425-01	9612-3426-01
18	4	Screw for adaptor	9611-99-1834	9611-99-2162	9611-99-2163
19	2	Nut	9611-99-0353	9611-99-0353	9611-99-0353
20	2	Washer	9611-99-2559	9611-99-2559	9611-99-2559
28	10	Cap nut	9611-99-2593	9611-99-2593	9611-99-2593
29	10	Washer	9611-99-1887	9611-99-1887	9611-99-1887
30	1	Back plate	9612-4837-14	9612-4837-14	9612-4837-14
33	1	Spacing ring	9612-3625-02	9612-3625-02	9612-3625-02
37	1	Rotating seal housing	9612-3624-01	9612-3624-01	9612-3624-01
39	1	Impeller	9612-5105-07	9612-5105-07	9612-5105-01
43	□ ○ ◆ * 1	Joint ring, EPDM (standard)	9611-99-2983	9611-99-2983	9611-99-2983
	1	Joint ring, NBR	9611-99-2984	9611-99-2984	9611-99-2984
	1	Joint ring, FPM	9611-99-2985	9611-99-2985	9611-99-2985
44	10	Bolt	9611-99-2169	9611-99-2169	9611-99-2169
45	1	Pump casing, Flange	9612-5117-04	9612-5117-04	9612-5117-04
	1	Pump casing, Clamp	9612-5117-08	9612-5117-08	9612-5117-08
Legs					
46a	1	Support bar, right	9612-1322-05	9612-1322-06	9612-1322-03
46b	1	Support bar, left	9612-1323-05	9612-1323-06	9612-1323-03
47	4	Leg	9612-3967-01	9612-3967-01	9612-3967-01
48	4	Screw (Period 9711-)	9611-99-1126	9611-99-1126	9611-99-1126
	4	Screw (Period -9711)	9611-99-1907	9611-99-1907	9611-99-1907
49	4	Spring washer	9611-99-1887	9611-99-1887	9611-99-0676
50	4	Nut	9611-99-0353	9611-99-0353	9611-99-0587
51	4	Screw	9611-99-1911	9611-99-1911	9611-99-1834
52	4	Washer	9611-99-0786	9611-99-0786	9611-99-0706
Alternatives					
40	1	Impeller for impeller screw	9612-5105-08	9612-5105-08	9612-5105-02
41	1	Impeller screw	9612-1396-01	9612-1396-01	9612-1396-01
42	○ * 1	O-ring, EPDM	9611-99-2145	9611-99-2145	9611-99-2145
	1	O-ring, NBR	9611-99-2147	9611-99-2147	9611-99-2147
	1	O-ring, FPM	9611-99-2146	9611-99-2146	9611-99-2146

Recommended Spare Parts: Service kits.

Pump for High Inlet Pressure, Type LKHP-45 Single and Flushed Shaft Seal

(Same drawing as on page 26)

28



Pump for High Inlet Pressure, Type LKHP-45 Single and Flushed Shaft Seal

Pos.	Qty.	Denomination	4-15 kW	Pos.	Qty.	Denomination	4-15 kW
Parts for flushed shaft seal				◆* Shaft seal complete, NBR 9612-3622-11			
21	1	Seal housing for flushed seal	9612-3626-02	24	1	Lip seal	9611-99-2860
22	2	Screw	9611-99-4038	25	1	O-ring, EPDM	9611-99-2754
23	2	Tube	9612-3589-07	26	1	O-ring, EPDM	9611-99-2753
27	1	Sleeve	9612-3629-02	31	1	O-ring	9611-99-2728
Single shaft seal				32 1 Stationary seal ring, SiC. 9612-3633-01			
<input type="checkbox"/> Shaft seal complete, EPDM (Standard)				9612-3622-04			
31	1	O-ring	9611-99-2727	34	1	Rotating seal ring, SiC.	9612-3634-02
32	1	Stationary seal ring, SiC.	9612-3633-01	35	1	Quad ring	9611-99-2730
34	1	Rotating seal ring, SiC.	9612-3634-02	36	1	PTFE support ring	9612-4571-01
35	1	Quad ring	9611-99-2730	38	1	Quad ring	9611-99-2734
36	1	PTFE support ring	9612-4571-01	◆* Shaft seal complete, FPM 9612-3622-12			
38	1	Quad ring	9611-99-2733	24	1	Lip seal	9611-99-2860
<input type="checkbox"/> Shaft seal complete, NBR				9612-3622-05			
31	1	O-ring	9611-99-2728	25	1	O-ring, EPDM	9611-99-2754
32	1	Stationary seal ring, SiC.	9612-3633-01	26	1	O-ring, EPDM	9611-99-2753
34	1	Rotating seal ring, SiC.	9612-3634-02	31	1	O-ring	9611-99-2729
35	1	Quad ring	9611-99-2731	32	1	Stationary seal ring, SiC.	9612-3633-01
36	1	PTFE support ring	9612-4571-01	34	1	Rotating seal ring, SiC.	9612-3634-02
38	1	Quad ring	9611-99-2734	35	1	Quad ring	9611-99-2732
<input type="checkbox"/> Shaft seal complete, FPM				9612-3622-06			
31	1	O-ring	9611-99-2729	36	1	PTFE support ring	9612-4571-01
32	1	Stationary seal ring, SiC.	9612-3633-01	38	1	Quad ring	9611-99-2735
34	1	Rotating seal ring, SiC.	9612-3634-02	Service kit for single shaft seal			
35	1	Quad ring	9611-99-2732	<input type="checkbox"/> Service kit, EPDM 9611-92-2194			
36	1	PTFE support ring	9612-4571-01	<input type="checkbox"/> Service kit, NBR 9611-92-2195			
38	1	Quad ring	9611-99-2735	<input type="checkbox"/> Service kit, FPM 9611-92-2196			
Flushed shaft seal				Service kit for single shaft seal and impeller screw			
◆* Shaft seal complete, EPDM (Standard)				9612-3622-10			
24	1	Lip seal	9611-99-2860	<input type="radio"/> Service kit, EPDM 9611-92-2197			
25	1	O-ring, EPDM	9611-99-2754	<input type="radio"/> Service kit, NBR 9611-92-2198			
26	1	O-ring, EPDM	9611-99-2753	<input type="radio"/> Service kit, FPM 9611-92-2199			
31	1	O-ring	9611-99-2727	Service kit for flushed shaft seal			
32	1	Stationary seal ring, SiC.	9612-3633-01	◆ Service kit, EPDM 9611-92-2200			
34	1	Rotating seal ring, SiC.	9612-3634-02	◆ Service kit, NBR 9611-92-2201			
35	1	Quad ring	9611-99-2730	◆ Service kit, FPM 9611-92-2202			
36	1	PTFE support ring	9612-4571-01	Service kit for flushed shaft seal and impeller screw			
38	1	Quad ring	9611-99-2733	* Service kit, EPDM 9611-92-2203			
				* Service kit, NBR 9611-92-2204			
				* Service kit, FPM 9611-92-2205			
Parts marked with <input type="checkbox"/> / <input type="radio"/> /◆/* are included in the service kits .							
Conversion kit, single to flushed shaft seal 9611-92-2177 = Pos. 21, 22, 23, 24, 25, 26 and 27.							

Pos.	Qty.	Denomination	4 kW	5.5 kW	7.5 kW	11 kW	15 kW
1	1	*Motor 220/240 VD	9612-4189-07	9612-4189-09	9612-4189-11	9612-4189-13	9612-4189-15
	1	*Motor 380/420 VD	9612-4189-08	9612-4189-10	9612-4189-12	9612-4189-14	9612-4189-16
2	1	Shroud	9612-1390-03	9612-1390-08	9612-1390-08	9612-1390-05	9612-1390-05
2a	1	Edge list (Included in pos 2)					

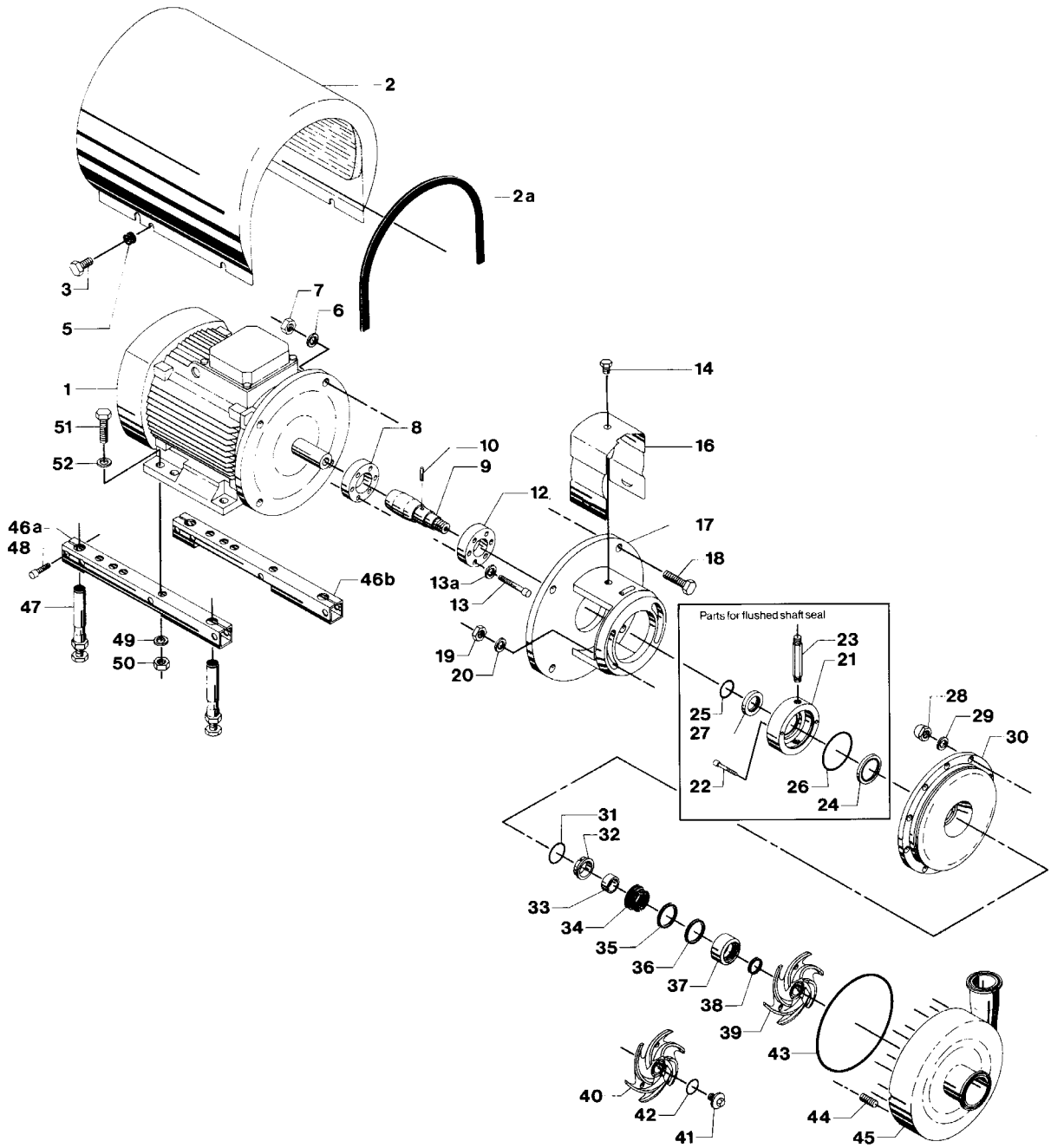
* Motors are with special ball bearing.

Surface roughness, product wetted parts: Ra ≤ 0.8 μm

Pos.	Qty.	Denomination	4 kW	5.5-7.5 kW	11-15 kW
30	1	Back plate	9612-4837-16	9612-4837-16	9612-4837-16
39	1	Impeller	9612-5105-09	9612-5105-09	9612-5105-05
45	1	Pump casing, Flange	9612-5117-16	9612-5117-16	9612-5117-16
	1	Pump casing, Clamp	9612-5117-20	9612-5117-20	9612-5117-20
Alternatives					
40	1	Impeller for impeller screw	9611-5105-10	9612-5105-10	9612-5105-06
41	1	Impeller screw	9612-1369-03	9612-1369-03	9612-1369-03

Pump for High Inlet Pressure, Type LKHP-50 Single and Flushed Shaft Seal

30



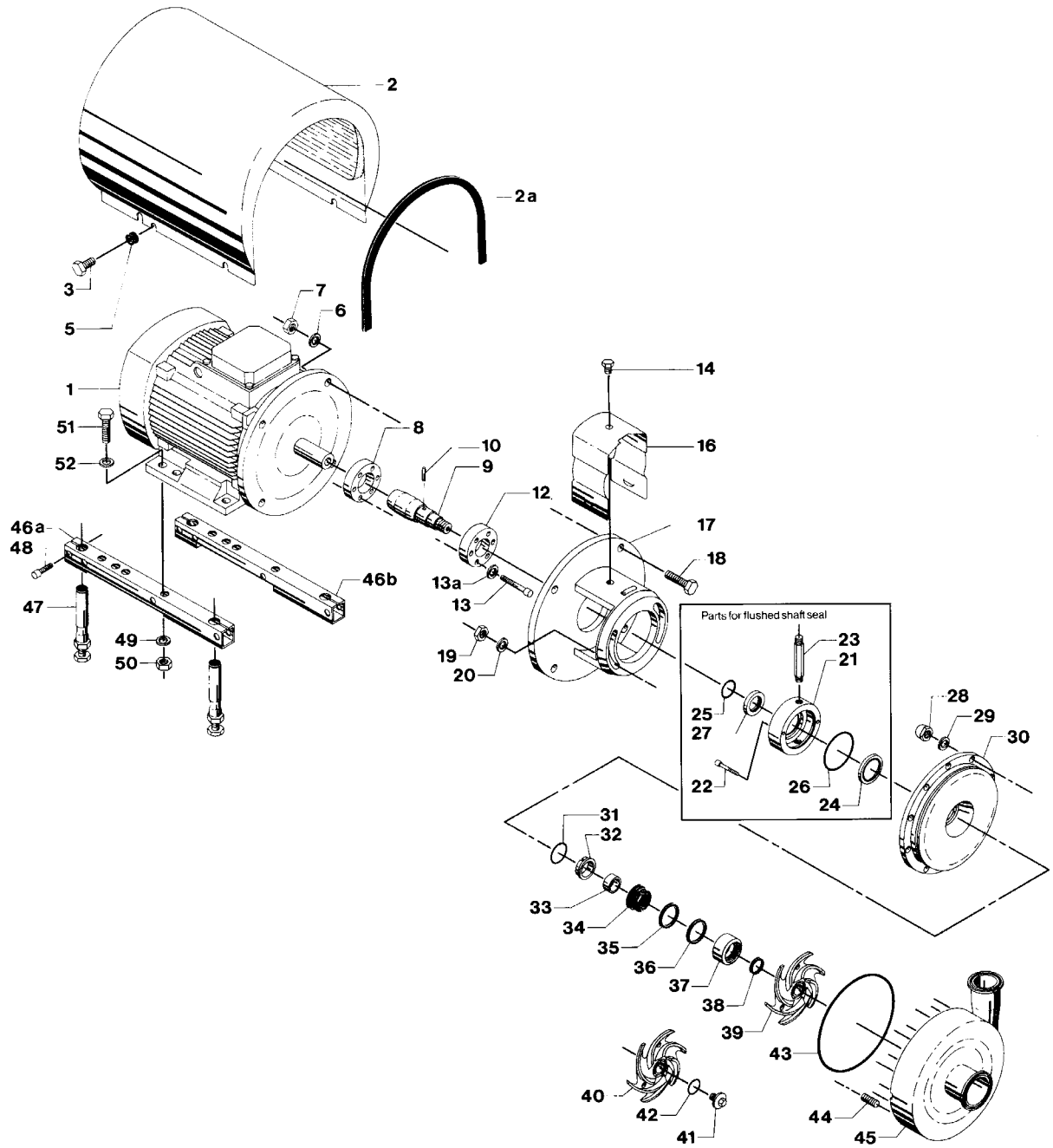
Pump for High Inlet Pressure, Type LKHP-50 Single and Flushed Shaft Seal

Pos.	Qty.	Denomination	5.5-7.5 kW	11-18.5 kW	22 kW
3	4	Screw	9611-99-3240	9611-99-3241	9611-99-3242
5	4	Distance sleeve	9611-99-2737	31438-0390-2	31438-0390-1
6	4	Washer for adaptor	9611-99-0676	9611-99-1886	9611-99-1886
7	4	Nut for adaptor	9611-99-0587	9611-99-2160	9611-99-2160
8	1	Compression ring with thread	9612-1336-05	9612-1336-03	9612-1336-04
9	1	Shaft with internal/external thread and pin (pos.10)	9612-1326-02	9612-1327-02	9612-1328-02
10	1	Connex pin	9611-99-0622	9611-99-0622	9611-99-0622
12	1	Compression ring without thread	9612-1337-05	9612-1337-03	9612-1337-04
13	6	Screw	9611-99-3197	9611-99-3198	9611-99-3198
13a	6	Washer	9611-99-3199	9611-99-3199	9611-99-3199
14	1	Screw for safety guard	9611-99-3239	9611-99-3239	9611-99-3239
16	1	Safety guard	9612-1311-07	9612-1311-08	9612-1311-08
17	1	Adaptor	9612-3425-01	9612-3426-01	9612-3426-01
18	4	Screw for adaptor	9611-99-2162	9611-99-2163	9611-99-2163
19	2	Nut	9611-99-0353	9611-99-0353	9611-99-0353
20	2	Washer	9611-99-2559	9611-99-2559	9611-99-2559
28	12	Cap nut	9611-99-2593	9611-99-2593	9611-99-2593
29	12	Washer	9611-99-1887	9611-99-1887	9611-99-1887
30	1	Back plate	9612-4837-03	9612-4837-03	9612-4837-03
33	1	Spacing ring	9612-3625-02	9612-3625-02	9612-3625-02
37	1	Rotating seal housing	9612-3624-01	9612-3624-01	9612-3624-01
39	1	Impeller	9612-4085-07	9612-4085-01	9612-4085-01
43	□○◆★ 1	Joint ring, EPDM (standard)	9611-99-2171	9611-99-2171	9611-99-2171
	1	Joint ring, NBR	9611-99-2173	9611-99-2173	9611-99-2173
	1	Joint ring, FPM	9611-99-2172	9611-99-2172	9611-99-2172
44	12	Bolt	9611-99-2169	9611-99-2169	9611-99-2169
45	1	Pump casing, Flange	9612-4840-04	9612-4840-04	9612-4840-04
	1	Pump casing, Clamp	9612-4840-09	9612-4840-09	9612-4840-09
Legs					
46a	1	Support bar, right	9612-1322-06	9612-1322-03	9612-1322-04
46b	1	Support bar, left	9612-1323-06	9612-1323-03	9612-1323-04
47	4	Leg	9612-3967-01	9612-3967-01	9612-3967-01
48	4	Screw (Period 9711-)	9611-99-1126	9611-99-1126	9611-99-1126
	4	Screw (Period -9711)	9611-99-1907	9611-99-1907	9611-99-1907
49	4	Spring washer	9611-99-1887	9611-99-0676	9611-99-0676
50	4	Nut	9611-99-0353	9611-99-0587	9611-99-0587
51	4	Screw	9611-99-1911	9611-99-1834	9611-99-1834
52	4	Washer	9611-99-0786	9611-99-0706	9611-99-0706
Alternatives					
40	1	Impeller for impeller screw	9612-4085-08	9612-4085-02	9612-4085-02
41	1	Impeller screw	9612-1396-01	9612-1396-01	9612-1396-01
42	○★ 1	O-ring, EPDM	9611-99-2145	9611-99-2145	9611-99-2145
	1	O-ring, NBR	9611-99-2147	9611-99-2147	9611-99-2147
	1	O-ring, FPM	9611-99-2146	9611-99-2146	9611-99-2146

Recommended Spare Parts: Service kits.

Pump for High Inlet Pressure, Type LKHP-50 Single and Flushed Shaft Seal

32



Pump for High Inlet Pressure, Type LKHP-50 Single and Flushed Shaft Seal

Pos.	Qty.	Denomination	5.5-22 kW	Pos.	Qty.	Denomination	5.5-22 kW
Parts for flushed shaft seal				◆* Shaft seal complete, NBR 9612-3622-11			
21	1	Seal housing for flushed seal	9612-3626-02	24	1	Lip seal	9611-99-2860
22	2	Screw	9611-99-4038	25	1	O-ring, EPDM	9611-99-2754
23	2	Tube	9612-3589-07	26	1	O-ring, EPDM	9611-99-2753
27	1	Sleeve	9612-3629-02	31	1	O-ring	9611-99-2728
Single shaft seal				32 1 Stationary seal ring, SiC. 9612-3633-01			
□○ Shaft seal complete, EPDM (Standard) . 9612-3622-04				34 1 Rotating seal ring, SiC. 9612-3634-02			
31	1	O-ring	9611-99-2727	35 1 Quad ring			
32	1	Stationary seal ring, SiC.	9612-3633-01	36 1 PTFE support ring			
34	1	Rotating seal ring, SiC.	9612-3634-02	38 1 Quad ring			
35	1	Quad ring	9611-99-2730	◆* Shaft seal complete, FPM 9612-3622-12			
36	1	PTFE support ring	9612-4571-01	24	1	Lip seal	9611-99-2860
38	1	Quad ring	9611-99-2733	25	1	O-ring, EPDM	9611-99-2754
□○ Shaft seal complete, NBR 9612-3622-05				26	1	O-ring, EPDM	9611-99-2753
31	1	O-ring	9611-99-2728	31	1	O-ring	9611-99-2729
32	1	Stationary seal ring, SiC.	9612-3633-01	32	1	Stationary seal ring, SiC.	9612-3633-01
34	1	Rotating seal ring, SiC.	9612-3634-02	34	1	Rotating seal ring, SiC.	9612-3634-02
35	1	Quad ring	9611-99-2731	35	1	Quad ring	9611-99-2732
36	1	PTFE support ring	9612-4571-01	36	1	PTFE support ring	9612-4571-01
38	1	Quad ring	9611-99-2734	38	1	Quad ring	9611-99-2735
□○ Shaft seal complete, FPM 9612-3622-06				Service kit for single shaft seal			
31	1	O-ring	9611-99-2729	□ Service kit, EPDM. 9611-92-2163			
32	1	Stationary seal ring, SiC.	9612-3633-01	□ Service kit, NBR. 9611-92-2164			
34	1	Rotating seal ring, SiC.	9612-3634-02	□ Service kit, FPM. 9611-92-2165			
35	1	Quad ring	9611-99-2732	Service kit for single shaft seal and impeller screw			
36	1	PTFE support ring	9612-4571-01	○ Service kit, EPDM. 9611-92-2166			
38	1	Quad ring	9611-99-2735	○ Service kit, NBR. 9611-92-2167			
Flushed shaft seal				○ Service kit, FPM. 9611-92-2168			
◆* Shaft seal complete, EPDM (Standard) . 9612-3622-10				Service kit for flushed shaft seal			
24	1	Lip seal	9611-99-2860	◆ Service kit, EPDM. 9611-92-2169			
25	1	O-ring, EPDM	9611-99-2754	◆ Service kit, NBR. 9611-92-2170			
26	1	O-ring, EPDM	9611-99-2753	◆ Service kit, FPM. 9611-92-2171			
31	1	O-ring	9611-99-2727	Service kit for flushed shaft seal and impeller screw			
32	1	Stationary seal ring, SiC.	9612-3633-01	* Service kit, EPDM. 9611-92-2172			
34	1	Rotating seal ring, SiC.	9612-3634-02	* Service kit, NBR. 9611-92-2173			
35	1	Quad ring	9611-99-2730	* Service kit, FPM. 9611-92-2174			
36	1	PTFE support ring	9612-4571-01	Parts marked with □/○/◆/* are included in the service kits.			
38	1	Quad ring	9611-99-2733	Conversion kit, single to flushed shaft seal			
				9611-92-2177 = Pos. 21, 22, 23, 24, 25, 26 and 27.			

Pos.	Qty.	Denomination	5.5 kW	7.5 kW	11 kW	15 kW	18.5 kW	22 kW
1	1	*Motor 380/420 VD	9612-4189-09	9612-4189-11	9612-4189-13	9612-4189-15	9612-4189-17	9612-4189-19
	1	*Motor 380/420 VD	9612-4189-10	9612-4189-12	9612-4189-14	9612-4189-16	9612-4189-18	9612-4189-20
2	1	Shroud	9612-1390-08	9612-1390-08	9612-1390-05	9612-1390-05	9612-1390-05	9612-1390-06
2a	1	Edge list (Included in pos. 2)						

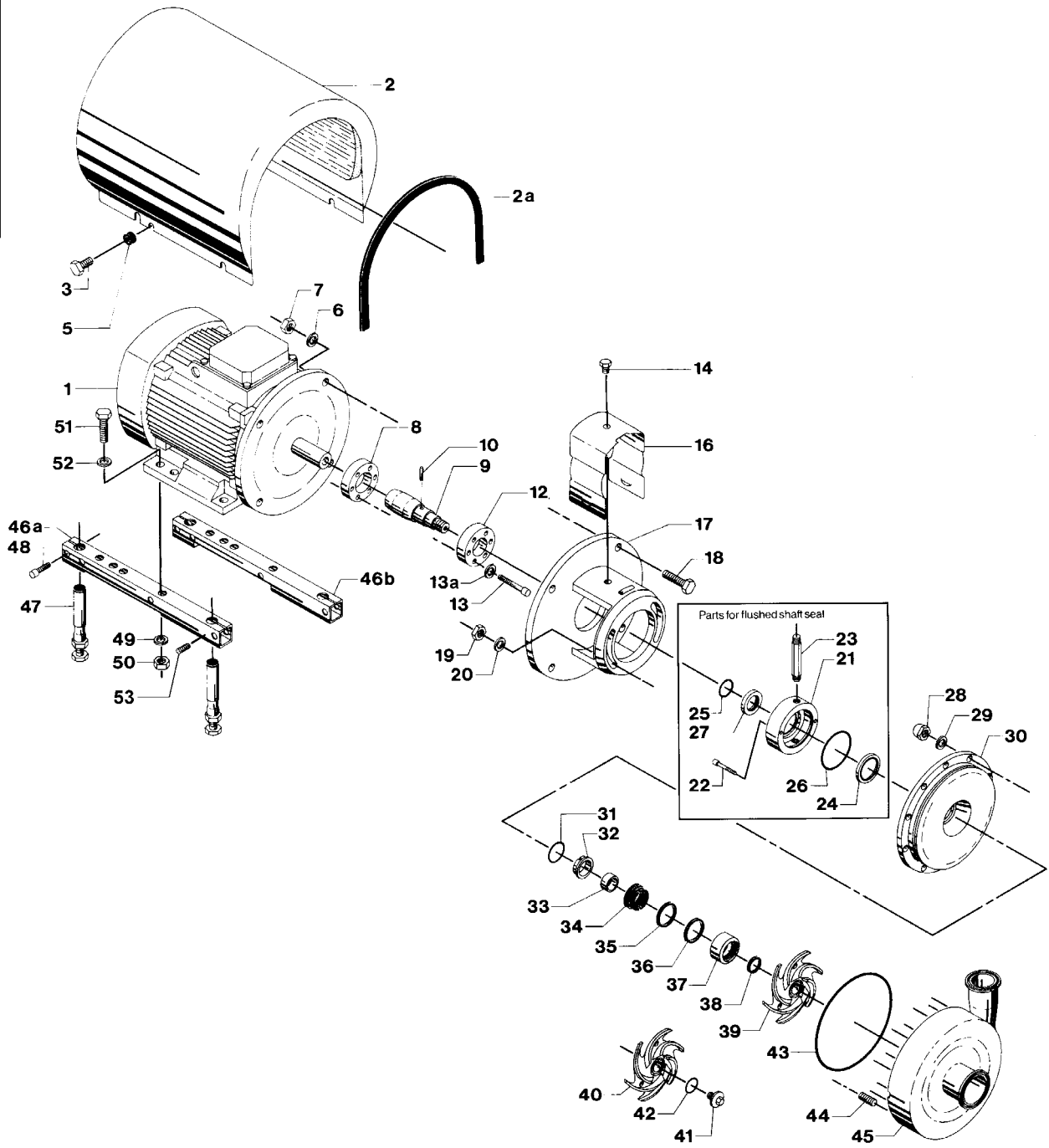
* Motors are with special ball bearing

Surface roughness, product wetted parts: Ra ≤ 0.8 μm

Pos.	Qty.	Denomination	5.5-7.5 kW	11 kW	15-18.5 kW	22 kW
30	1	Back plate	9612-4837-12	9612-4837-12	9612-4837-12	9612-4837-12
39	1	Impeller	9612-4085-09	9612-4085-05	9612-4085-05	9612-4085-05
45	1	Pump casing, Flange	9612-4840-19	9612-4840-19	9612-4840-19	9612-4840-19
	1	Pump casing, Clamp	9612-4840-24	9612-4840-24	9612-4840-24	9612-4840-24
Alternatives						
40	1	Impeller for impeller screw	9612-4085-10	9612-4085-06	9612-4085-06	9612-4085-06
41	1	Impeller screw	9612-1396-03	9612-1396-03	9612-1396-03	9612-1396-03

Pump for High Inlet Pressure, Type LKHP-60 Single and Flushed Shaft Seal

34



Pump for High Inlet Pressure, Type LKHP-60 Single and Flushed Shaft Seal

35

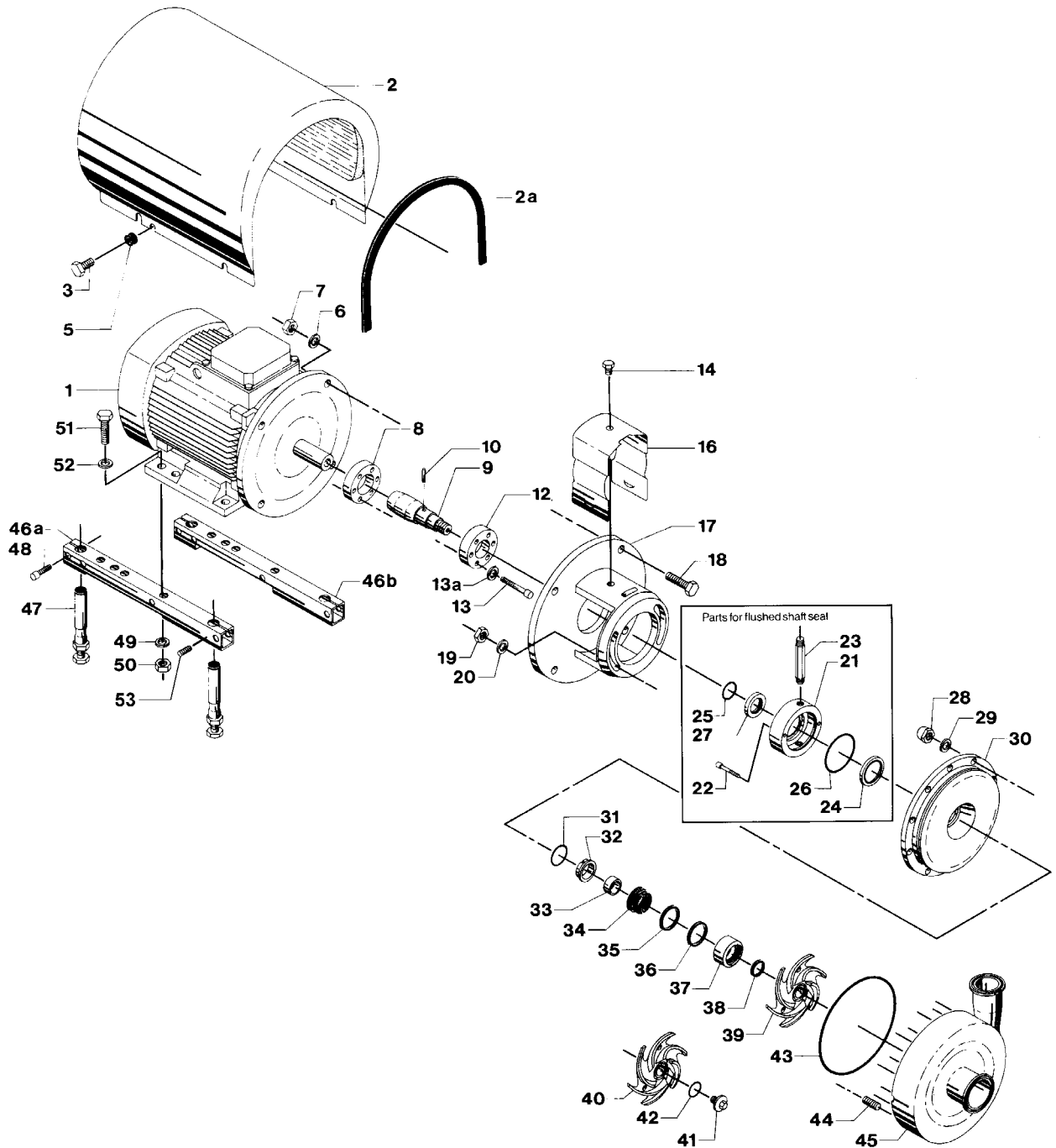
Pos.	Qty.	Denomination	5.5-7.5 kW	11-15 kW	18.5 kW	22 kW	30 kW
3	4	Screw	9611-99-3240	9611-99-3241	9611-99-3241	9611-99-3242	9611-99-3243
5	4	Distance sleeve	9611-99-2737	31438-0390-2	31438-0390-2	31438-0390-1	31438-0390-3
6	4	Washer for adaptor	9611-99-0676	9611-99-1886	9611-99-1886	9611-99-1886	9611-99-1886
7	4	Nut for adaptor	9611-99-0587	9611-99-2160	9611-99-2160	9611-99-2160	9611-99-2160
8	1	Compression ring with thread	9612-1336-05	9612-1336-03	9612-1336-03	9612-1336-04	9612-1336-07
9	1	Shaft with internal/external thread and pin (pos.10)	9612-1326-02	9612-1327-02	9612-1327-02	9612-1328-02	9612-2329-02
10	1	Connex pin	9611-99-0622	9611-99-0622	9611-99-0622	9611-99-0622	9611-99-0622
12	1	Compression ring without thread	9612-1337-05	9612-1337-03	9612-1337-03	9612-1337-04	9612-1337-07
13	6	Screw	9611-99-3197	9611-99-3198	9611-99-3198	9611-99-3198	9611-99-3198
13a	6	Washer	9611-99-3199	9611-99-3199	9611-99-3199	9611-99-3199	9611-99-3199
14	1	Screw for safety guard	9611-99-3239	9611-99-3239	9611-99-3239	9611-99-3239	9611-99-3239
16	1	Safety guard	9612-1311-07	9612-1311-08	9612-1311-08	9612-1311-08	9612-1311-08
17	1	Adaptor	9612-3425-01	9612-3426-01	9612-3426-01	9612-3426-01	9612-3427-01
18	4	Screw for adaptor	9611-99-2162	9611-99-2163	9611-99-2163	9611-99-2164	9611-99-2164
19	2	Nut	9611-99-0353	9611-99-0353	9611-99-0353	9611-99-0353	9611-99-0353
20	2	Washer	9611-99-2559	9611-99-2559	9611-99-2559	9611-99-2559	9611-99-2559
28	12	Cap nut	9611-99-2593	9611-99-2593	9611-99-2593	9611-99-2593	9611-99-2593
29	12	Spring washer	9611-99-1887	9611-99-1887	9611-99-1887	9611-99-1887	9611-99-1887
30	1	Back plate	9612-4837-03	9612-4837-03	9612-4837-03	9612-4837-03	9612-4837-03
33	1	Spacing ring	9612-3625-02	9612-3625-02	9612-3625-02	9612-3625-02	9612-3625-02
37	1	Rotating seal housing	9612-3624-01	9612-3624-01	9612-3624-01	9612-3624-01	9612-3624-01
39	1	Impeller	9612-4086-07	9612-4086-07	9612-4086-01	9612-4086-01	9612-4086-01
43	1	Joint ring, EPDM (standard)	9611-99-2171	9611-99-2171	9611-99-2171	9611-99-2171	9611-99-2171
	1	Joint ring, NBR	9611-99-2173	9611-99-2173	9611-99-2173	9611-99-2173	9611-99-2173
	1	Joint ring, FPM	9611-99-2172	9611-99-2172	9611-99-2172	9611-99-2172	9611-99-2172
44	12	Bolt	9611-99-2169	9611-99-2169	9611-99-2169	9611-99-2169	9611-99-2169
45	1	Pump casing, Flange	9612-4840-05	9612-4840-05	9612-4840-05	9612-4840-05	9612-4840-05
	1	Pump casing, Clamp	9612-4840-10	9612-4840-10	9612-4840-10	9612-4840-10	9612-4840-10
Legs							
46a	1	Support bar, right	9612-1322-06	9612-1322-03	9612-1322-03	9612-1322-04	9612-3422-01
46b	1	Support bar, left	9612-1323-06	9612-1323-03	9612-1323-03	9612-1323-04	9612-3422-01
47	4	Leg	9612-3967-01	9612-3967-01	9612-3967-01	9612-3967-01	9612-3967-01
48	4	Screw (Period 9711-)	9611-99-1126	9611-99-1126	9611-99-1126	9611-99-1126	9611-99-1907
	4	Screw (Period -9711)	9611-99-1907	9611-99-1907	9611-99-1907	9611-99-1907	9611-99-1907
49	4	Spring washer	9611-99-1887	9611-99-0676	9611-99-0676	9611-99-0676	9611-99-0676
50	4	Nut	9611-99-0353	9611-99-0587	9611-99-0587	9611-99-0587	9611-99-0587
51	4	Screw	9611-99-1911	9611-99-1834	9611-99-1834	9611-99-1834	9611-99-3680
52	4	Washer	9611-99-0786	9611-99-0706	9611-99-0706	9611-99-0706	9611-99-0703
53	4	Pivot screw					9611-99-1763
Alternatives							
40	1	Impeller for impeller screw	9612-4086-08	9612-4086-08	9612-4086-02	9612-4086-02	9612-4086-02
41	1	Impeller screw	9612-1396-01	9612-1396-01	9612-1396-01	9612-1396-01	9612-1396-01
42	1	O-ring, EPDM	9611-99-2145	9611-99-2145	9611-99-2145	9611-99-2145	9611-99-2145
	1	O-ring, NBR	9611-99-2147	9611-99-2147	9611-99-2147	9611-99-2147	9611-99-2147
	1	O-ring, FPM	9611-99-2146	9611-99-2146	9611-99-2146	9611-99-2146	9611-99-2146

Surface roughness, product wetted parts: Ra ≤ 0.8 μm

Pos.	Qty.	Denomination	5.5-7.5 kW	11-15 kW	18.5 kW	22 kW	30 kW
30	1	Back plate	9612-4837-12	9612-4837-12	9612-4837-12	9612-4837-12	9612-4837-12
39	1	Impeller	9612-4086-09	9612-4086-09	9612-4086-05	9612-4086-05	9612-4086-05
45	1	Pump casing, Flange	9612-4840-20	9612-4840-20	9612-4840-20	9612-4840-20	9612-4840-20
	1	Pump casing, Clamp	9612-4840-25	9612-4840-25	9612-4840-25	9612-4840-25	9612-4840-25
Alternatives							
40	1	Impeller for impeller screw	9612-4086-10	9612-4086-10	9612-4086-06	9612-4086-06	9612-4086-06
41	1	Impeller screw	9612-1396-03	9612-1396-03	9612-1396-03	9612-1396-03	9612-1396-03

Pump for High Inlet Pressure, Type LKHP-60 Single and Flushed Shaft Seal

36



Pump for High Inlet Pressure, Type LKHP-60 Single and Flushed Shaft Seal

Pos.	Qty.	Denomination	5.5-30 kW	Pos.	Qty.	Denomination	5.5-30 kW
Parts for flushed shaft seal				◆□ Shaft seal complete, NBR 9612-3622-11			
21	1	Seal housing for flushed seal	9612-3626-02	24	1	Lip seal	9611-99-2860
22	2	Screw	9611-99-4038	25	1	O-ring, EPDM	9611-99-2754
23	2	Tube	9612-3589-07	26	1	O-ring, EPDM	9611-99-2753
27	1	Sleeve	9612-3629-02	31	1	O-ring	9611-99-2728
Single shaft seal				◆□ Shaft seal complete, FPM 9612-3622-12			
↔○ Shaft seal complete, EPDM (Standard) 9612-3622-04				24 1 Lip seal 9611-99-2860			
31	1	O-ring	9611-99-2727	25	1	O-ring, EPDM	9611-99-2754
32	1	Stationary seal ring, SiC.	9612-3633-01	26	1	O-ring, EPDM	9611-99-2753
34	1	Rotating seal ring, SiC.	9612-3634-02	31	1	O-ring	9611-99-2729
35	1	Quad ring	9611-99-2730	32	1	Stationary seal ring, SiC.	9612-3633-01
36	1	PTFE support ring	9612-4571-01	34	1	Rotating seal ring, SiC.	9612-3634-02
38	1	Quad ring	9611-99-2733	35	1	Quad ring	9611-99-2732
↔○ Shaft seal complete, NBR 9612-3622-05				36 1 PTFE support ring 9612-4571-01			
31	1	O-ring	9611-99-2728	38	1	Quad ring	9611-99-2735
32	1	Stationary seal ring, SiC.	9612-3633-01	Service kit for single shaft seal			
34	1	Rotating seal ring, SiC.	9612-3634-02	↔ Service kit, EPDM. 9611-92-2163			
35	1	Quad ring	9611-99-2731	↔ Service kit, NBR. 9611-92-2164			
36	1	PTFE support ring	9612-4571-01	↔ Service kit, FPM. 9611-92-2165			
38	1	Quad ring	9611-99-2734	Service kit for single shaft seal and impeller screw			
↔○ Shaft seal complete, FPM 9612-3622-06				○ Service kit, EPDM. 9611-92-2166			
31	1	O-ring	9611-99-2729	○ Service kit, NBR. 9611-92-2167			
32	1	Stationary seal ring, SiC.	9612-3633-01	○ Service kit, FPM. 9611-92-2168			
34	1	Rotating seal ring, SiC.	9612-3634-02	Service kit for flushed shaft seal			
35	1	Quad ring	9611-99-2732	◆ Service kit, EPDM. 9611-92-2169			
36	1	PTFE support ring	9612-4571-01	◆ Service kit, NBR. 9611-92-2170			
38	1	Quad ring	9611-99-2735	◆ Service kit, FPM. 9611-92-2171			
Flushed shaft seal				Service kit for flushed shaft seal and impeller screw			
◆□ Shaft seal complete, EPDM (Standard) 9612-3622-10				□ Service kit, EPDM. 9611-92-2172			
24	1	Lip seal	9611-99-2860	□ Service kit, NBR. 9611-92-2173			
25	1	O-ring, EPDM	9611-99-2754	□ Service kit, FPM. 9611-92-2174			
31	1	O-ring	9611-99-2727	Parts marked with ↔/○/◆/□ are included in the service kits.			
32	1	Stationary seal ring, SiC.	9612-3633-01	Conversion kit, single to flushed shaft seal 9611-92-2177 = Pos. 21, 22, 23, 24, 25, 26 and 27.			
34	1	Rotating seal ring, SiC.	9612-3634-02				
35	1	Quad ring	9611-99-2730				
36	1	PTFE support ring	9612-4571-01				
38	1	Quad ring	9611-99-2733				

Pos.	Qty.	Denomination	5.5 kW	7.5 kW	11 kW	15 kW	18.5 kW	22 kW	30 kW
1	1	Motor ABB ¹⁾²⁾	9612-4189-09	9612-4189-11	9612-4189-13	9612-4189-15	9612-4189-17	9612-4189-19	9612-4189-21 ⁴⁾
	1	Motor ABB ¹⁾³⁾	9612-4189-10	9612-4189-12	9612-4189-14	9612-4189-16	9612-4189-18	9612-4189-20	9612-4189-22 ⁴⁾
	1	Motor BROOK ²⁾ .. (Period 9907-)							9612-6055-01
	1	Motor BROOK ³⁾ .. (Period 9907-)							9612-6055-02
2	1	Shroud ABB	9612-1390-08	9612-1390-08	9612-1390-05	9612-1390-05	9612-1390-05	9612-1390-06	9612-1390-07 ⁴⁾
	1	Shroud BROOK . (Period 9907-)							9612-5938-01
2a	1	Edge list (Included in pos. 2)							
¹⁾ Motors are with special bearing.			²⁾ 3~, 50Hz, 220-240VD/380-420VY - Option			³⁾ 3~, 50Hz, 380-420VD/660-690VY - Standard			
⁴⁾ Motors ABB (-9907)			3~, 60Hz, 250-280VD/440-480VY - Option			3~, 60Hz, 440-480VD - Standard			

How to contact Alfa Laval
Contact details for all countries are
continually updated on our website.
Please visit www.alfalaval.com to
access the information direct.