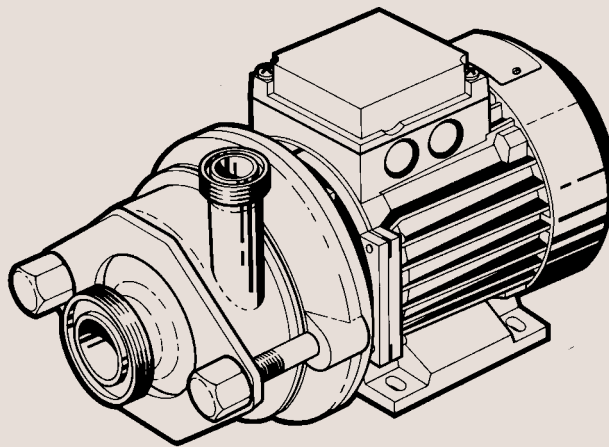




Spare Parts

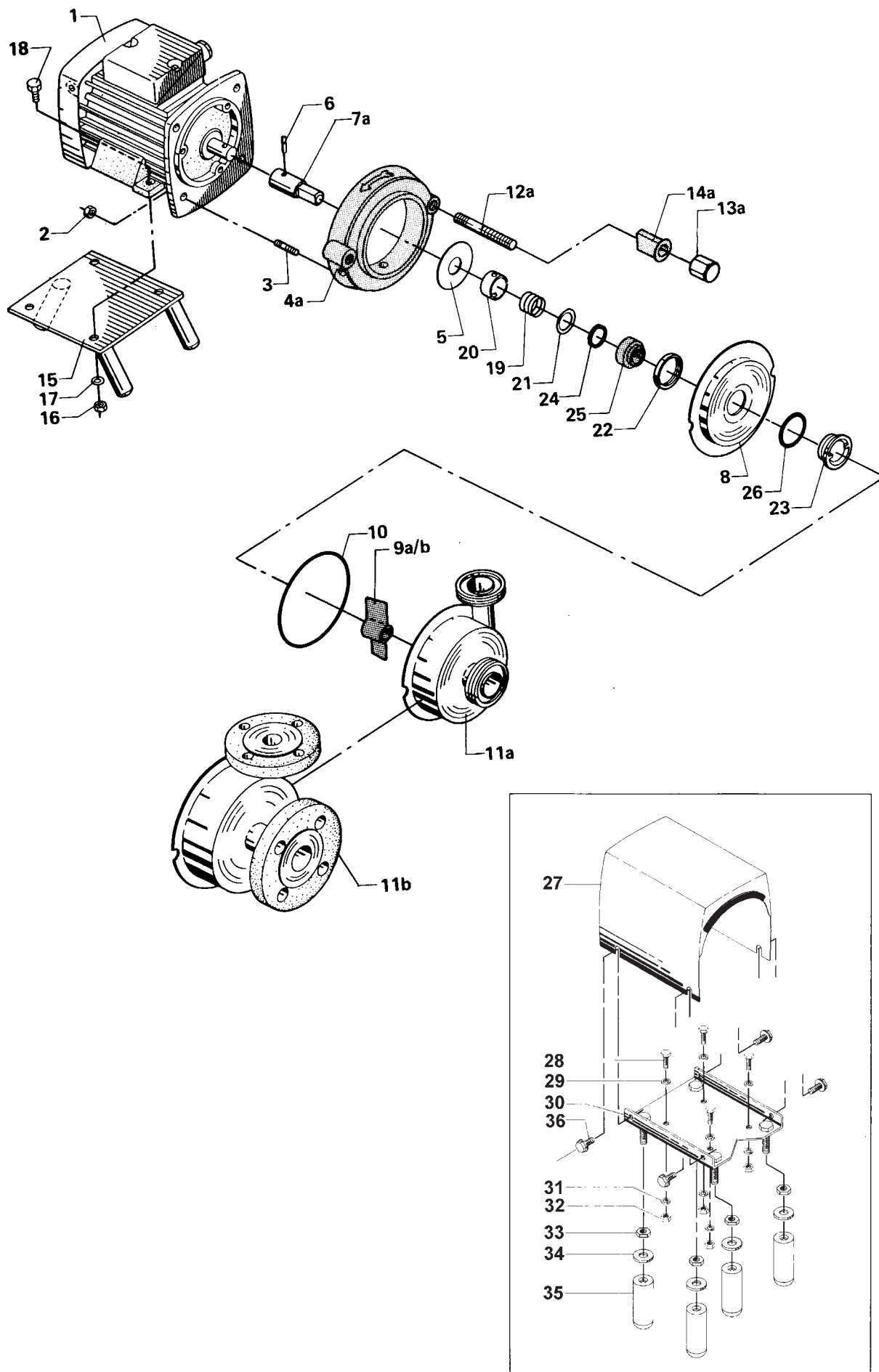
GM Centrifugal Pump



SP70023-GB7 2002-11

Centrifugal Pump Type GM

2



Centrifugal Pump Type GM

Pos.	Qty.	Denomination	GM-1 & 2
1	1	Motor 0.55 kW 220-240/380-420 V (Standard)	31801-2461-1
2	4	Nut	2218043-03
3	4	Stud bolt	2216221-03
4a	1	Adaptor	31456-0052-1
5	1	Thrower	31437-0038-1
6	1	Tubular spring pin	222119-20
7a	1	Pump shaft	31456-0006-1
8	1	Black plate	31456-0035-1
9a*	1	Impeller GM-1, ø95 mm Polyamide, (Standard) Max. 80°C	31456-0009-1
	1	Impeller GM-1, ø95 mm Polypropene, Max. 80°C	31456-0009-2
9b*	1	Impeller GM-2, ø115 mm Polyamide, (Standard) Max. 80°C	31456-0025-1
	1	Impeller GM-2, ø115 mm Polypropene, Max. 80°C	31456-0025-2
10Δ	1	O-ring, NBR (Standard)	223412-75
	1	O-ring, EPDM	2234121-75
	1	O-ring, FPM	223412-76
	1	O-ring, PTFE	31456-0060-1
11a	1	Pump casing with sanitary fittings 38 mm inlet and outlet ISO male	31456-0050-1
		SMS	31456-0050-2
		DIN	31456-0050-3
		ISO clamp	31456-0050-4
		BS	31456-0050-5
11b	1	Pump casing with flanges DN 32 inlet/DN 25 outlet	31456-0068-1
12a	2	Stud bolt (Period 9501-)	9612-3635-05
	2	Stud bolt (Period -9501)	2216559-04
13a	2	Cap nut (Period 9501-)	110102
	2	Wing nut (Period -9501)	31336-0143-1
14a	2	Collet	31456-0058-1
15	1	Legs, complete (not standard.) ...	31456-0028-1
16	4	Nut	2218043-02
17	4	Washer	223101-48
18	4	Screw	2210935-01
22	1	Nut	31437-0120-1

* Sometimes reduced impeller diameter. Check the diameter of the original impeller.

Optional extras:
Shroud and legs kit 9611-92-1044

Shroud and legs

27	1	Shroud complete	31456-0131-1
28	4	Screw	9611-99-0456
29	4	Washer	9611-99-0752
30	1	Mounting frame complete	31456-0132-1
31	4	Washer	22310725
32	4	Nut	9611-99-0252
33	4	Nut	9611-99-1829
34	4	Washer	31460-0104-1
35	4	Legs	31460-1248-1
36	4	Screw	9611-99-3240

Δ Shaft seal, complete, NBR (Standard) 9612-4391-01

19	1	Spring	104154
20	1	Spacer	31437-0212-1
21	1	Washer	104125
23	1	Stationary seal ring SiC.	31437-0225-1
24	1	O-ring	31439-0168-1
25	1	Rotating seal ring	31437-0211-1
26	1	Seal, NBR	31437-0121-1

Δ Shaft seal, complete, EPDM 9612-4391-03

19	1	Spring	104154
20	1	Spacer	31437-0212-1
21	1	Washer	104125
23	1	Stationary seal ring SiC.	31437-0225-1
24	1	O-ring	31439-0168-4
25	1	Rotating seal ring	31437-0211-1
26	1	Seal, PTFE	31437-0121-3

Pos.	Qty.	Denomination	GM-1 & 2
Δ		Shaft seal, complete, FPM	9612-4391-04
19	1	Spring	104154
20	1	Spacer	31437-0212-1
21	1	Washer	104125
23	1	Stationary seal ring SiC.	31437-0225-1
24	1	O-ring	31439-0168-5
25	1	Rotating seal ring	31437-0211-1
26	1	Seal, PTFE	31437-0121-3
Δ		Shaft seal, complete, PTFE	9612-4391-02
19	1	Spring	104154
20	1	Spacer	31437-0212-1
21	1	Washer	104125
23	1	Stationary seal ring SiC.	31437-0225-1
24	1	O-ring	31439-0168-3
25	1	Rotating seal ring	31437-0211-1
26	1	Seal, PTFE	31437-0121-3

Shroud and legs

27	1	Shroud complete	31456-0131-1
28	4	Screw	9611-99-0456
29	4	Washer	9611-99-0752
30	1	Mounting frame complete	31456-0132-1
31	4	Washer	22310725
32	4	Nut	9611-99-0252
33	4	Nut	9611-99-1829
34	4	Washer	31460-0104-1
35	4	Legs	31460-1248-1
36	4	Screw	9611-99-3240

Alternatives

Shaft seal, complete, NBR (Standard) 9612-4391-05

19	1	Spring	104154
20	1	Spacer	31437-0212-1
21	1	Washer	104125
23	1	Stationary seal ring SiC.	31437-0225-1
24	1	O-ring	31439-0168-1
25	1	Rotating seal ring SiC.	31437-0211-4
26	1	Seal, NBR	31437-0121-1

Shaft seal, complete, EPDM 9612-4391-07

19	1	Spring	104154
20	1	Spacer	31437-0212-1
21	1	Washer	104125
23	1	Stationary seal ring SiC.	31437-0225-1
24	1	O-ring	31439-0168-4
25	1	Rotating seal ring SiC.	31437-0211-4
26	1	Seal, PTFE	31437-0121-3

Shaft seal, complete, FPM 9612-4391-08

19	1	Spring	104154
20	1	Spacer	31437-0212-1
21	1	Washer	104125
23	1	Stationary seal ring SiC.	31437-0225-1
24	1	O-ring	31439-0168-5
25	1	Rotating seal ring SiC.	31437-0211-4
26	1	Seal, PTFE	31437-0121-3

Shaft seal, complete, PTFE 9612-4391-06

19	1	Spring	104154
20	1	Spacer	31437-0212-1
21	1	Washer	104125
23	1	Stationary seal ring SiC.	31437-0225-1
24	1	O-ring	31439-0168-3
25	1	Rotating seal ring SiC.	31437-0211-4
26	1	Seal, PTFE	31437-0121-3

Δ **Service kit, NBR. 9611-92-1046**

Δ **Service kit, EPDM. 9611-92-1047**

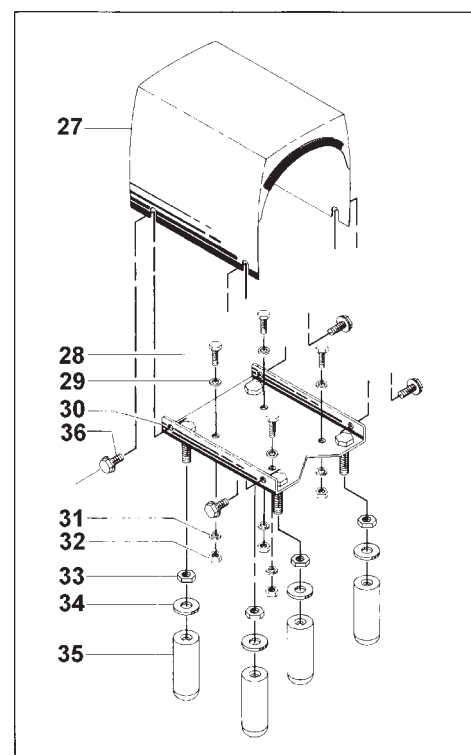
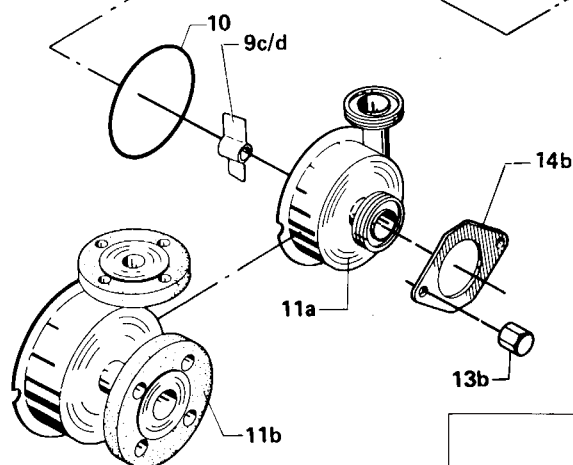
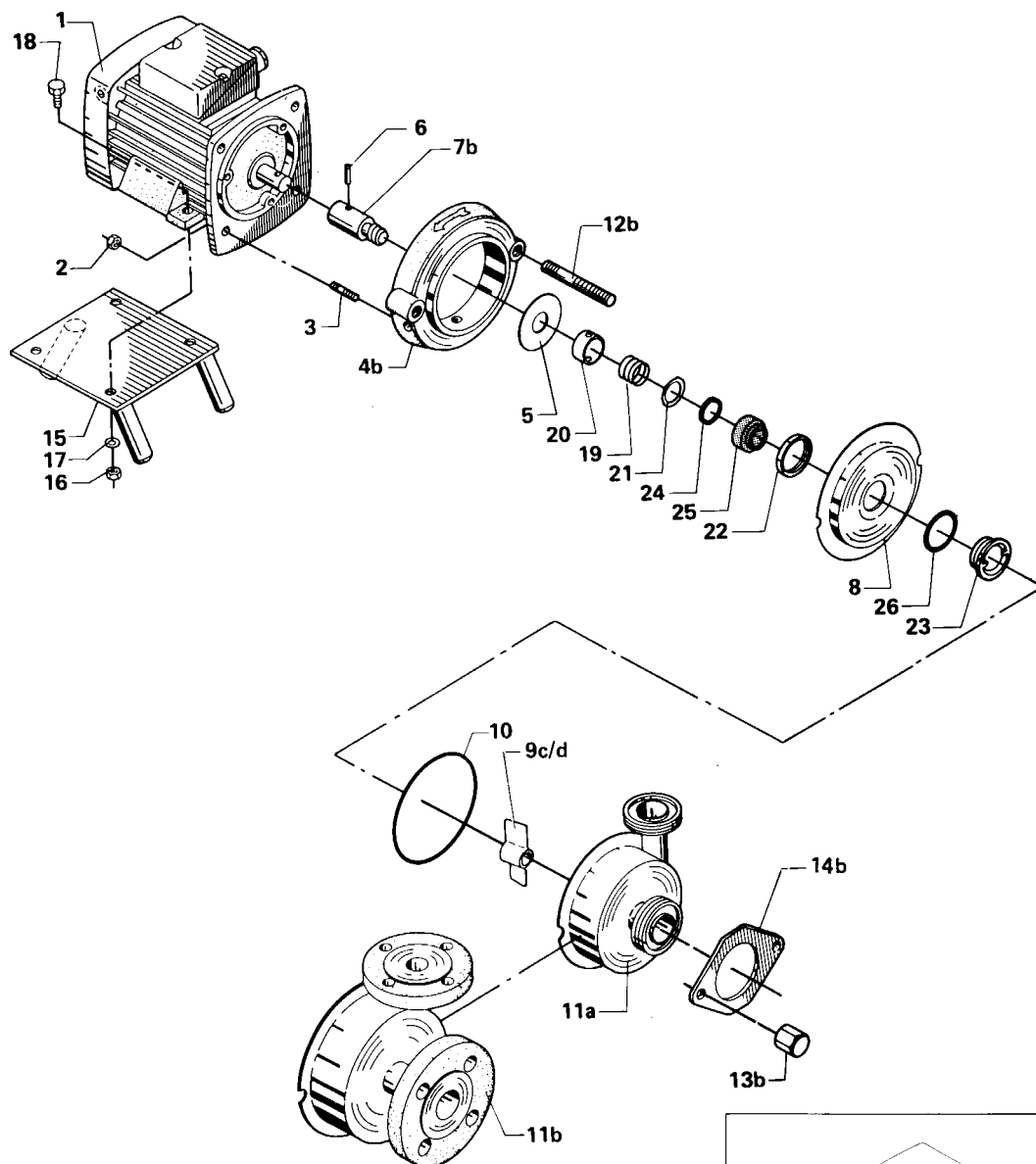
Δ **Service kit, FPM. 9611-92-1048**

Δ **Service kit, PTFE. 9611-92-1049**

Parts marked with Δ are included in the **Service kits**.
Recommended spare parts: **Service kits**.

Centrifugal Pump Type GM-A

4



Centrifugal Pump Type GM-A

Pos.	Qty.	Denomination	GM-1A & 2A
1	1	Motor 0.55 kW 220-240/380-420 V (Standard)	31801-2461-1
2	4	Nut	2218043-03
3	4	Stud bolt	2216221-03
4b	1	Adaptor	31456-0040-1
5	1	Thrower	31437-0038-1
6	1	Tubular spring pin	222119-20
7b	1	Pump shaft	31456-0044-1
8	1	Back plate	31456-0035-1
9c*	1	Impeller GMI-1A, ø95 mm (standard) ... (AISI 316)	9612-1868-02
	1	Impeller GMI-1A, 4 bladed, ø95 mm	9612-3550-01
9d*	1	Impeller GMI-2A, ø115 mm (standard) . (AISI 316)	9612-1868-01
	1	Impeller GMI-2A, 4 bladed, ø115 mm ...	9612-3549-01
10Δ	1	O-ring, NBR (Standard)	223412-75
	1	O-ring, EPDM	2234121-75
	1	O-ring, FPM	223412-76
	1	O-ring, PTFE	31456-0060-1
11a	1	Pump casing with sanitary fittings 38 mm inlet and outlet ISO male	31456-0050-1
		SMS	31456-0050-2
		DIN	31456-0050-3
		ISO clamp	31456-0050-4
		BS	31456-0050-5
11b	1	Pump casing with flanges	31456-0068-1
		DN 32 inlet/DN 25 outlet	
12b	2	Stud bolt	9612-3635-05
13b	2	Cap nut	110102
14b	1	Yoke	31457-0050-1
15	1	Legs, complete (not standard)	31456-0028-1
16	4	Nut	2218043-02
17	4	Washer	223101-48
18	4	Screw	2210935-01
22	1	Nut	31437-0120-1

* Sometimes reduced impeller diameter. Check the diameter of the original impeller.

Shroud and legs

27	1	Shroud complete	31456-0131-1
28	4	Screw	9611-99-0456
29	4	Washer	9611-99-0752
30	1	Mounting frame complete	31456-0132-1
31	4	Washer	22310725
32	4	Nut	9611-99-0252
33	4	Nut	9611-99-1829
34	4	Washer	31460-0104-1
35	4	Legs	31460-1248-1
36	4	Screw	9611-99-3240

Optional extras:

Shroud and legs kit	9611-92-1044
---------------------------	--------------

Δ Shaft seal, complete, NBR (Standard)	9612-4391-01		
19	1	Spring	104154
20	1	Spacer	31437-0212-1
21	1	Washer	104125
23	1	Stationary seal ring SiC.	31437-0225-1
24	1	O-ring	31439-0168-1
25	1	Rotating seal ring	31437-0211-1
26	1	Seal, NBR	31437-0121-1

Δ Shaft seal, complete, EPDM	9612-4391-03		
19	1	Spring	104154
20	1	Spacer	31437-0212-1
21	1	Washer	104125
23	1	Stationary seal ring SiC.	31437-0225-1
24	1	O-ring	31439-0168-4
25	1	Rotating seal ring	31437-0211-1
26	1	Seal, PTFE	31437-0121-3

Δ Shaft seal, complete, FPM	9612-4391-04		
19	1	Spring	104154
20	1	Spacer	31437-0212-1
21	1	Washer	104125
23	1	Stationary seal ring SiC.	31437-0225-1
24	1	O-ring	31439-0168-5
25	1	Rotating seal ring	31437-0211-1
26	1	Seal, PTFE	31437-0121-3

Δ Shaft seal, complete, PTFE	9612-4391-02		
19	1	Spring	104154
20	1	Spacer	31437-0212-1
21	1	Washer	104125
23	1	Stationary seal ring sic	31437-0225-1
24	1	O-ring	31439-0168-3
25	1	Rotating seal ring	31437-0211-1
26	1	Seal, PTFE	31437-0121-3

Alternatives

Shaft seal, complete, NBR (Standard) .	9612-4391-05		
19	1	Spring	104154
20	1	Spacer	31437-0212-1
21	1	Washer	104125
23	1	Stationary seal ring SiC.	31437-0225-1
24	1	O-ring	31439-0168-1
25	1	Rotating seal ring SiC.	31437-0211-4
26	1	Seal, NBR	31437-0121-1

Shaft seal, complete, EPDM	9612-4391-07		
19	1	Spring	104154
20	1	Spacer	31437-0212-1
21	1	Washer	104125
23	1	Stationary seal ring SiC.	31437-0225-1
24	1	O-ring	31439-0168-4
25	1	Rotating seal ring SiC.	31437-0211-4
26	1	Seal, PTFE	31437-0121-3

Shaft seal, complete, FPM	9612-4391-08		
19	1	Spring	104154
20	1	Spacer	31437-0212-1
21	1	Washer	104125
23	1	Stationary seal ring SiC.	31437-0225-1
24	1	O-ring	31439-0168-5
25	1	Rotating seal ring SiC.	31437-0211-4
26	1	Seal, PTFE	31437-0121-3

Shaft seal, complete, PTFE	9612-4391-06		
19	1	Spring	104154
20	1	Spacer	31437-0212-1
21	1	Washer	104125
23	1	Stationary seal ring SiC.	31437-0225-1
24	1	O-ring	31439-0168-3
25	1	Rotating seal ring SiC.	31437-0211-4
26	1	Seal, PTFE	31437-0121-3

Δ	Service kit, NBR.	9611-92-1046
Δ	Service kit, EPDM.	9611-92-1047
Δ	Service kit, FPM.	9611-92-1048
Δ	Service kit, PTFE.	9611-92-1049

Parts marked with Δ are included in the **Service kits**.
Recommended spare parts: **Service kit**.

How to contact Alfa Laval
Contact details for all countries are
continually updated on our website.
Please visit www.alfalaval.com to
access the information direct.