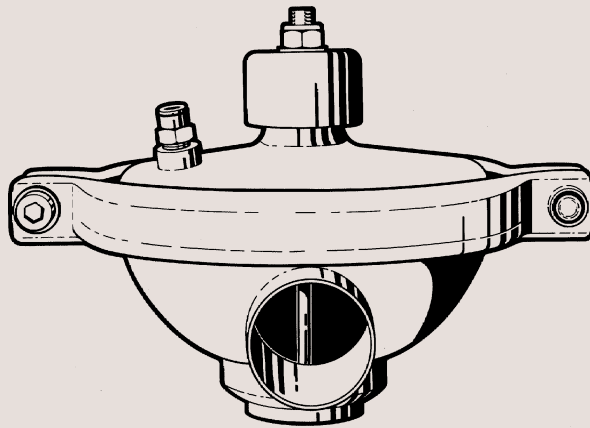




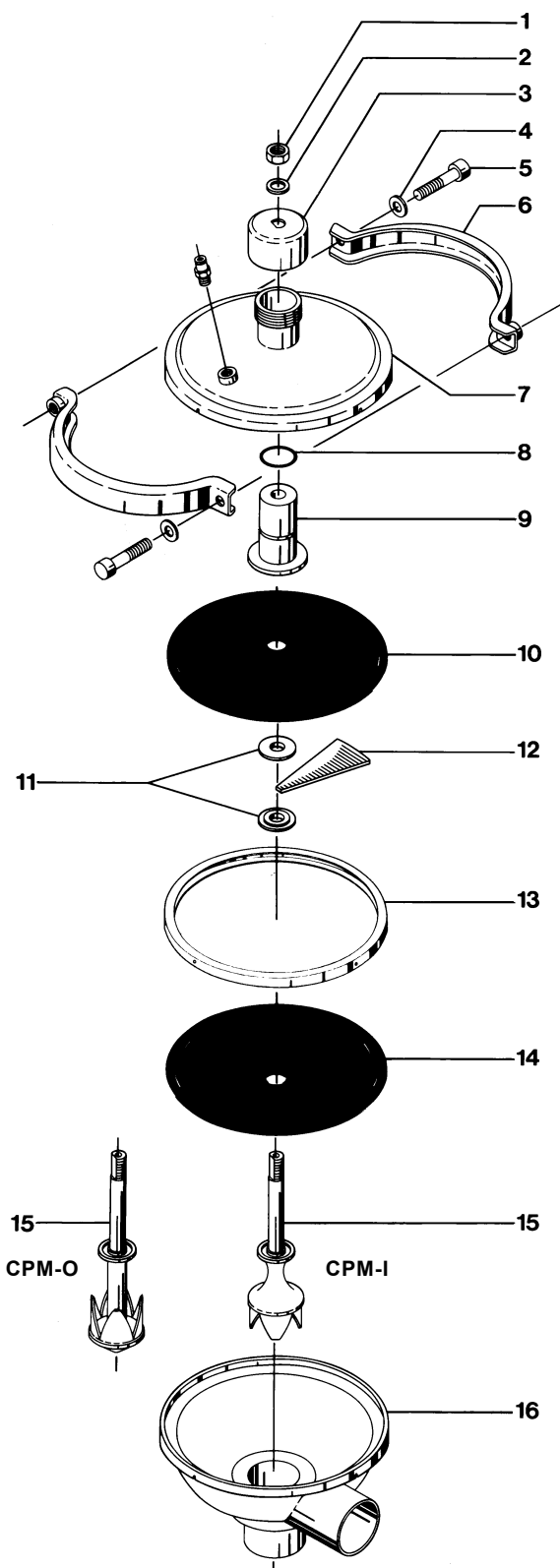
## Spare Parts

### CPM-2 Constant-Pressure Modulating Valve



# Constant-Pressure Modulating Valve Type CPMI-2 & CPMO-2

2



## Constant-Pressure Modulating Valve Type CPMI-2 & CPMO-2

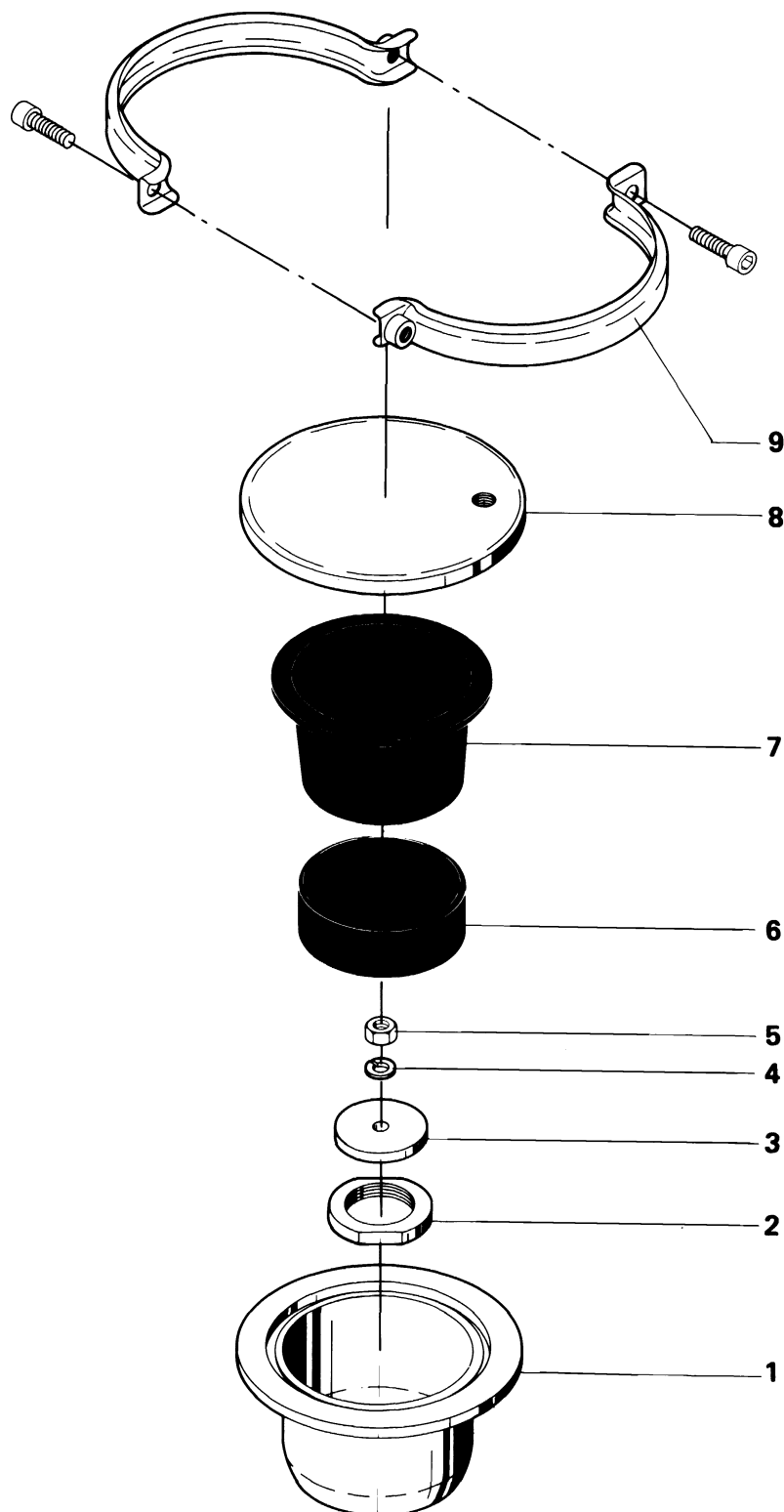
| Pos | Qty. | Denomination                                | CPMI-2-Kv23         | CPMO-2-Kv23         | CPMI-2-Kv2/15<br>Kv7 | CPMO-2-Kv2/15<br>Kv9 |
|-----|------|---|---------------------|---------------------|----------------------|----------------------|
| 1   | 1    | Nut .....                                   | 221891-15           | 221891-15           | 221891-15            | 221891-15            |
| 2   | 1    | Washer .....                                | 9611-99-2559        | 9611-99-2559        | 9611-99-2559         | 9611-99-2559         |
| 3   | 1    | Top .....                                   | 31356-0003-4        | 31356-0003-4        | 31356-0003-4         | 31356-0003-4         |
| 4   | 2    | Washer .....                                | 9611-99-0786        | 9611-99-0786        | 9611-99-0786         | 9611-99-0786         |
| 5   | 2    | Screw .....                                 | 9611-99-1222        | 9611-99-1222        | 9611-99-1222         | 9611-99-1222         |
| 6   | 2    | Clamp .....                                 | 9612-3352-01        | 9612-3352-01        | 9612-3352-01         | 9612-3352-01         |
| 7   | 1    | Cover .....                                 | 31356-0067-1        | 31356-0067-1        | 31356-0067-1         | 31356-0067-1         |
| 8Δ  | 1    | O-ring, NBR (Standard) .....                | 223406-49           | 223406-49           | 223406-49            | 223406-49            |
|     | 1    | O-ring, FPM .....                           | 9611-99-2253        | 9611-99-2253        | 9611-99-2253         | 9611-99-2253         |
| 9   | 1    | Guide .....                                 | 31356-0072-2        | 31356-0072-2        | 31356-0072-2         | 31356-0072-2         |
| 10Δ | 1    | Upper diaphragm, NBR (Standard) .....       | 31356-0014-2        | 31356-0014-2        | 31356-0014-2         | 31356-0014-2         |
|     | 1    | Upper diaphragm, EPDM/PTFE .....            | 31356-0014-4        | 31356-0014-4        | 31356-0014-4         | 31356-0014-4         |
|     | 1    | Upper diaphragm, PTFE .....                 | 9612-3057-02        | 9612-3057-02        | 9612-3057-02         | 9612-3057-02         |
| 11  | 2    | Inner ring .....                            | 31356-0063-1        | 31356-0063-1        | 31356-0063-1         | 31356-0063-1         |
| 12  | 12   | Support sector .....                        | 31356-0062-1        | 31356-0062-1        | 31356-0062-1         | 31356-0062-1         |
| 13  | 1    | Outer ring .....                            | 9612-3058-01        | 9612-3058-01        | 9612-3058-01         | 9612-3058-01         |
| 14Δ | 1    | Lower diaphragm, EPDM/PTFE (Standard) ..    | 9612-3066-01        | 9612-3066-01        | 9612-3066-01         | 9612-3066-01         |
|     | 1    | Lower diaphragm, PTFE .....                 | 9612-3057-01        | 9612-3057-01        | 9612-3057-01         | 9612-3057-01         |
| 15  | 1    | Valve plug Kv23 .....                       | 9612-3059-01        | 9612-3060-01        |                      |                      |
|     | 1    | Valve plug Kv2/15 .....                     |                     |                     | 9612-3061-01         | 9612-3062-01         |
|     | 1    | Valve plug Kv7 .....                        |                     |                     | 9612-4687-01         |                      |
|     | 1    | Valve plug Kv9 .....                        |                     |                     |                      | 9612-4625-01         |
| 16  | 1    | Valve body, ISO .....                       | 9612-3340-01        | 9612-3341-01        | 9612-3342-01         | 9612-3342-01         |
|     | 1    | Valve body, DIN .....                       | 9612-3343-01        | 9612-3344-01        | 9612-3345-01         | 9612-3345-01         |
| Δ   |      | <b>Service kit NBR/EPDM-PTFE .....</b>      | <b>9611-92-0218</b> | <b>9611-92-0218</b> | <b>9611-92-0218</b>  | <b>9611-92-0218</b>  |
|     |      | <b>Service kit FPM/PTFE .....</b>           | <b>9611-92-0515</b> | <b>9611-92-0515</b> | <b>9611-92-0515</b>  | <b>9611-92-0515</b>  |
|     |      | <b>Service kit FPM/EPDM-PTFE .....</b>      | <b>9611-92-0516</b> | <b>9611-92-0516</b> | <b>9611-92-0516</b>  | <b>9611-92-0516</b>  |
|     |      | <b>Service kit FPM/PTFE/EPDM-PTFE .....</b> | <b>9611-92-0517</b> | <b>9611-92-0517</b> | <b>9611-92-0517</b>  | <b>9611-92-0517</b>  |

Parts marked with Δ are included in **Service kit**.

Recommended spare parts: **Service kit**.

CPM-Booster 3 for Cover with Thread  
31356-0067-1/2

4



## CPM-Booster 3 for Cover with Thread 31356-0067-1/2

| Pos. | Qty. | Denomination            | 31356-0090-1  |
|------|------|-------------------------|---------------|
| 1    | 1    | Booster housing .....   | 31356-0089-1  |
| 2    | 1    | Lock nut .....          | 31356-0095-1  |
| 3    | 1    | Washer .....            | 31356-0084-1  |
| 4    | 1    | Spring washer .....     | 9611-99-1887  |
| 5    | 1    | Nut .....               | 221803-29     |
| 6    | 1    | Booster piston .....    | 31356-0085-1  |
| 7    | 1    | Diaphragm .....         | 31356-0094-1  |
| 8    | 1    | Booster cover .....     | 31356-0086-1  |
| 9    | 1    | Clamps and screws ..... | 9611-31-105-7 |

**How to contact Alfa Laval**

Contact details for all countries are continually updated on our website. Please visit [www.alfalaval.com](http://www.alfalaval.com) to access the information direct.